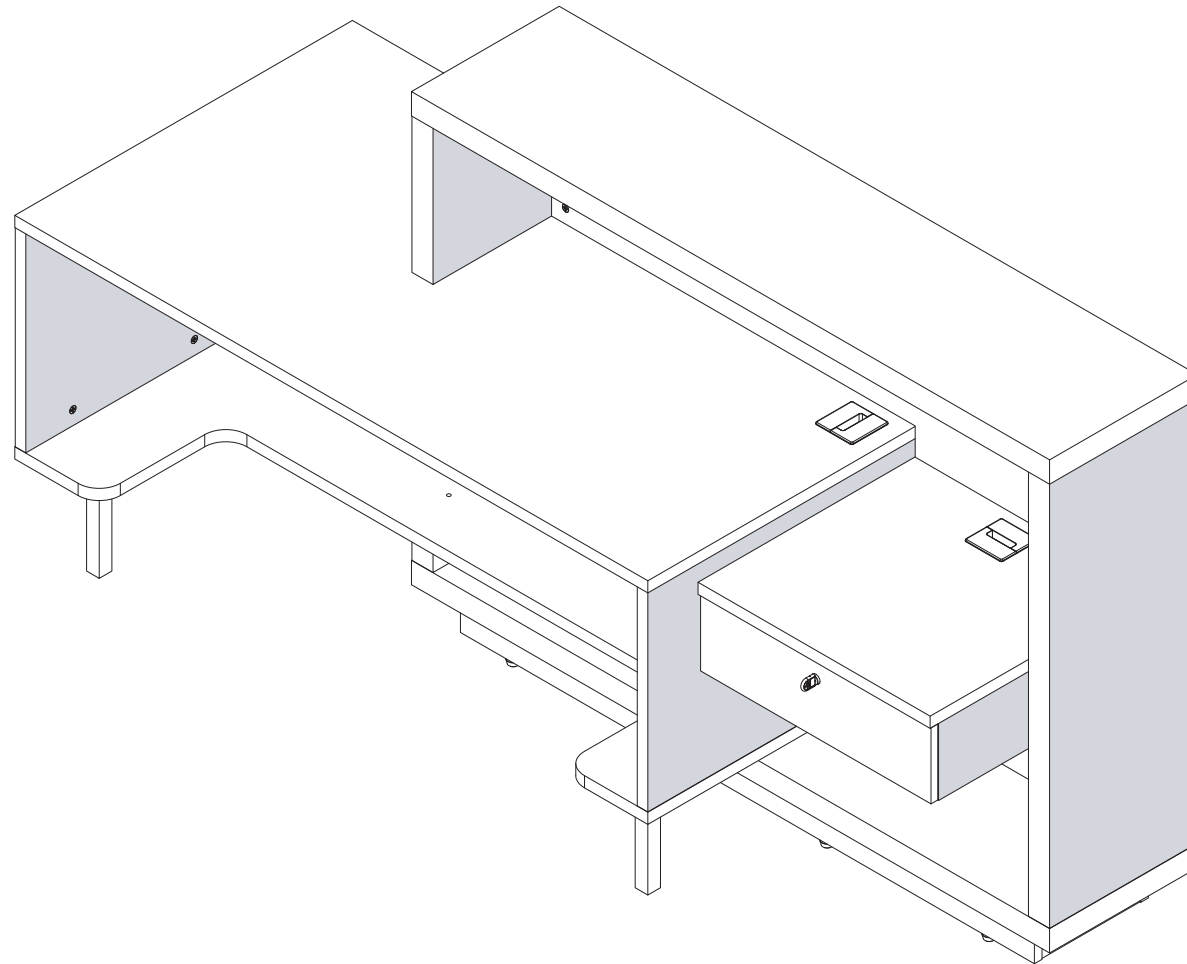
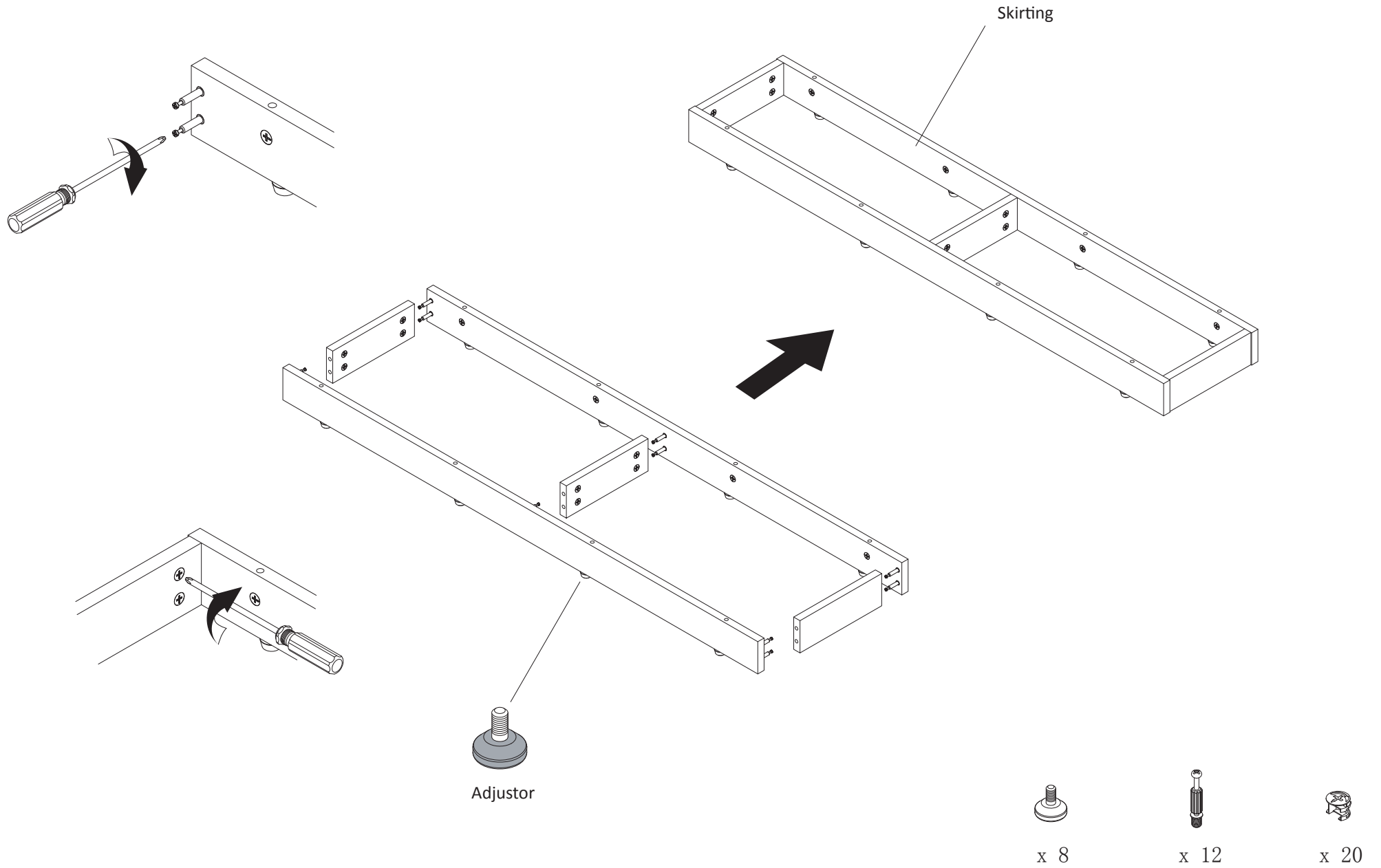


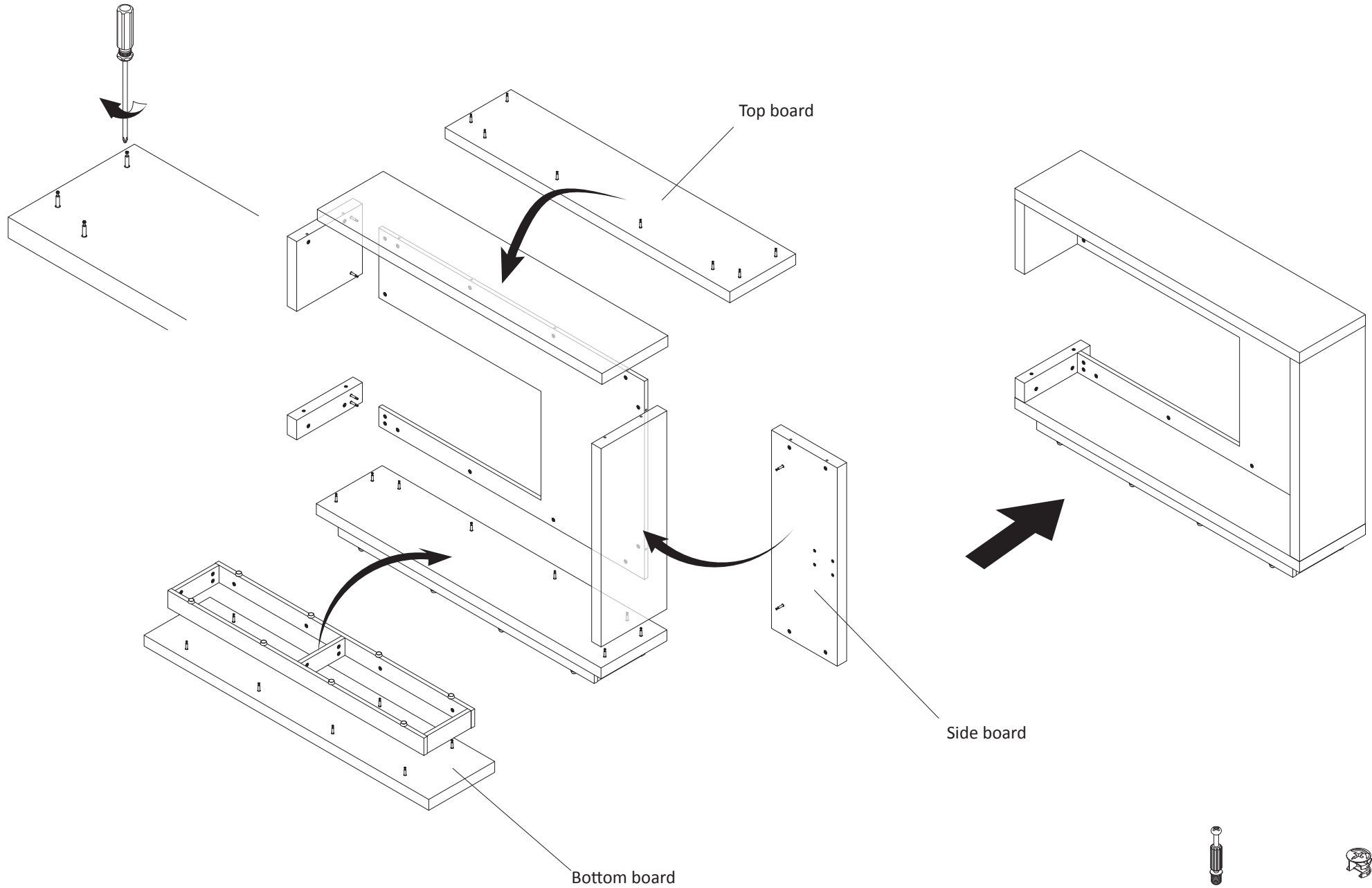
Installation instruction



Step-1



Step-2



Bottom board

Top board

Side board

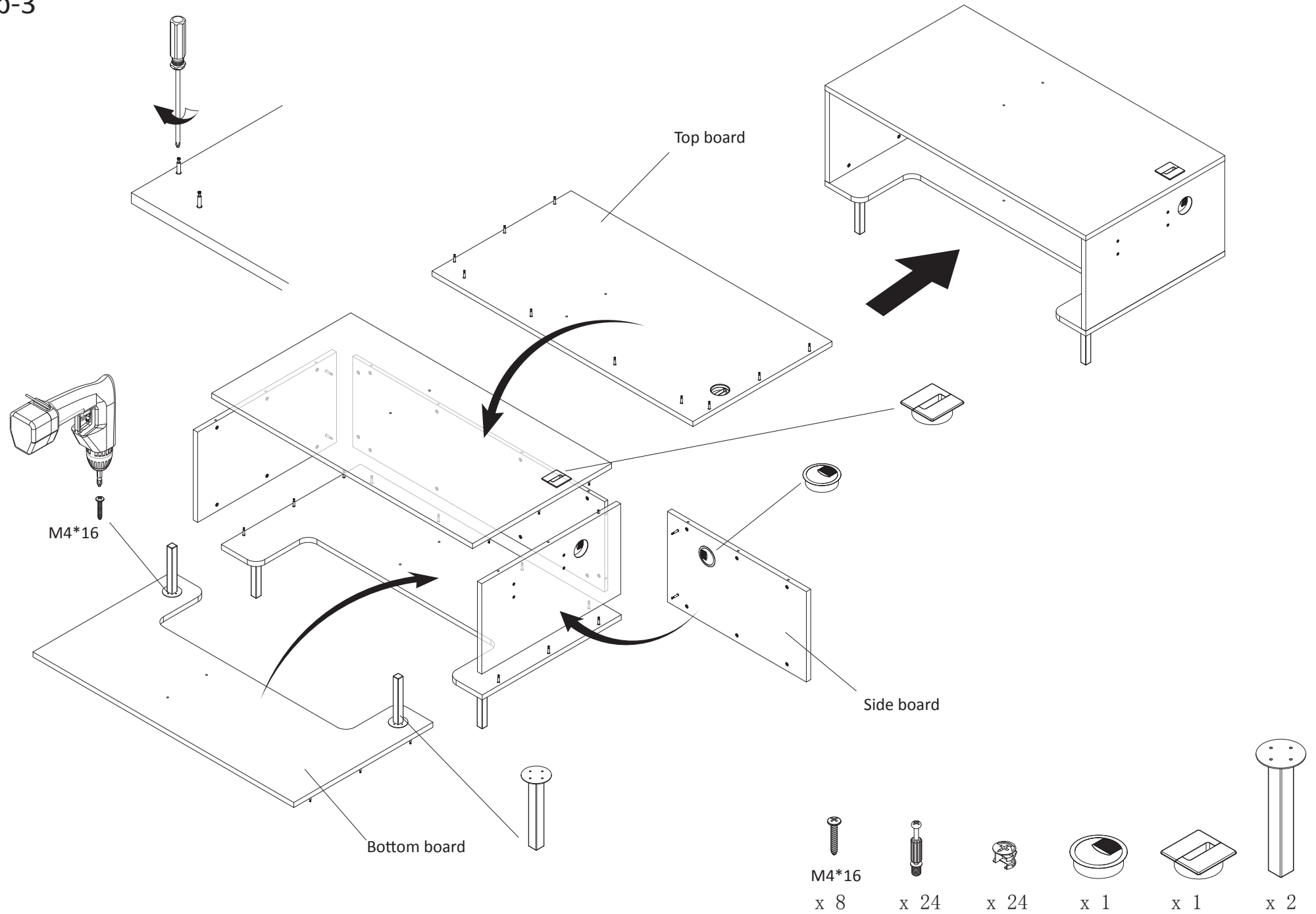


x 30

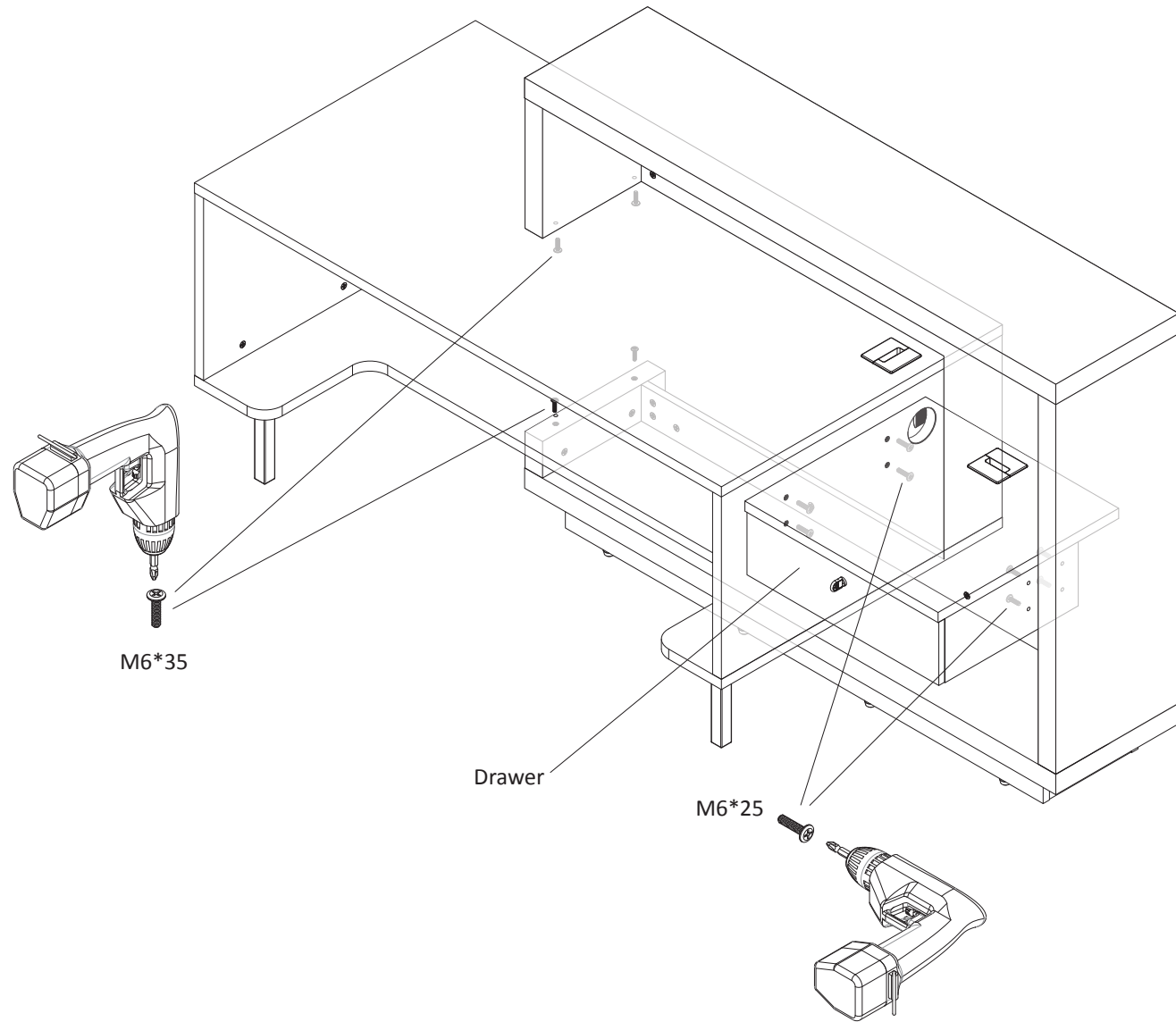


x 22

Step-3



Step-4



M6*35

Drawer

M6*25


M6*35
x 4


M6*25
x 8