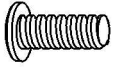


# ASSEMBLY INSTRUCTIONS

## Kit Contents :-

Ref	Description	Qty
1	Table Top	1
2	Leg Frame	2

**A** Allen bolt - 8 Pcs   **B** Spring washer - 8 Pcs   **C** Flat washer - 8 Pcs   **D** Allenkey - 1 Pcs



6 x 20 MM



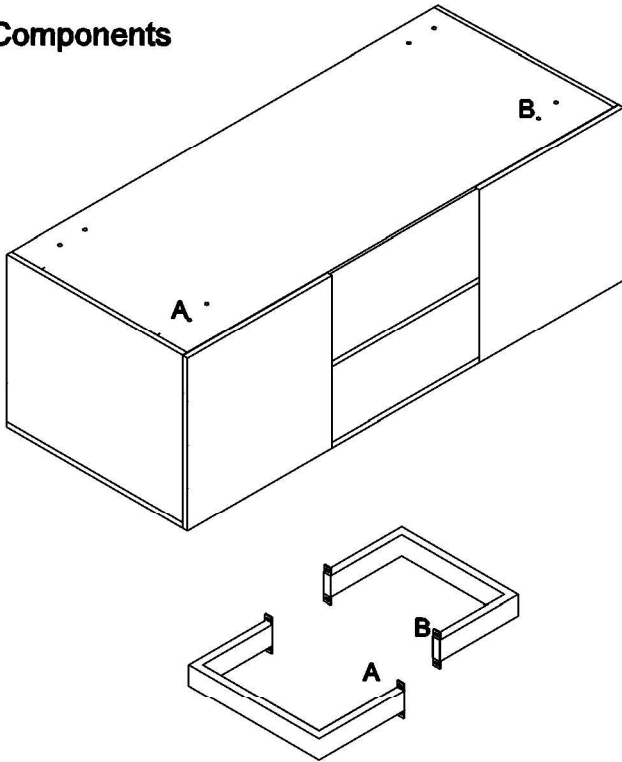
2 x 12 MM



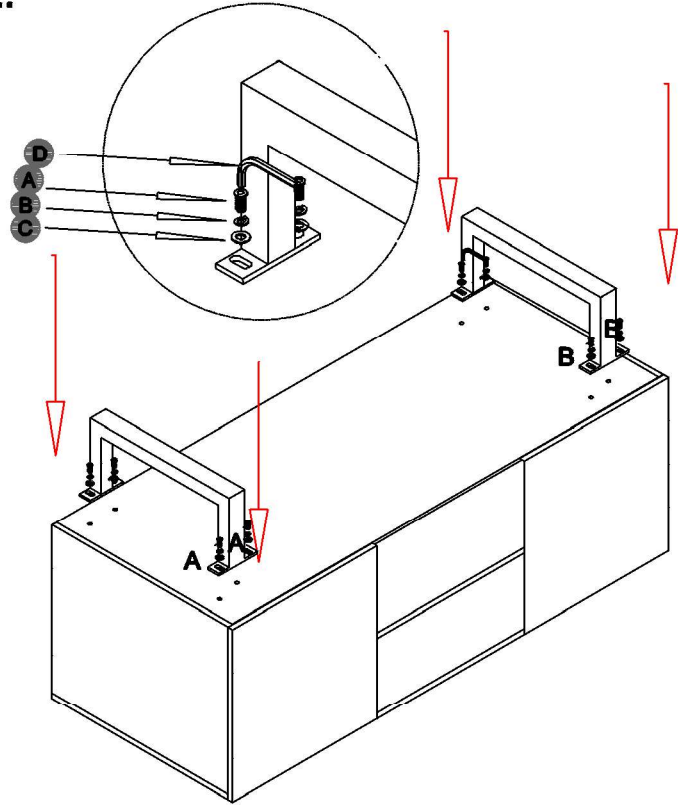
2 x 18 MM



### 1. Components

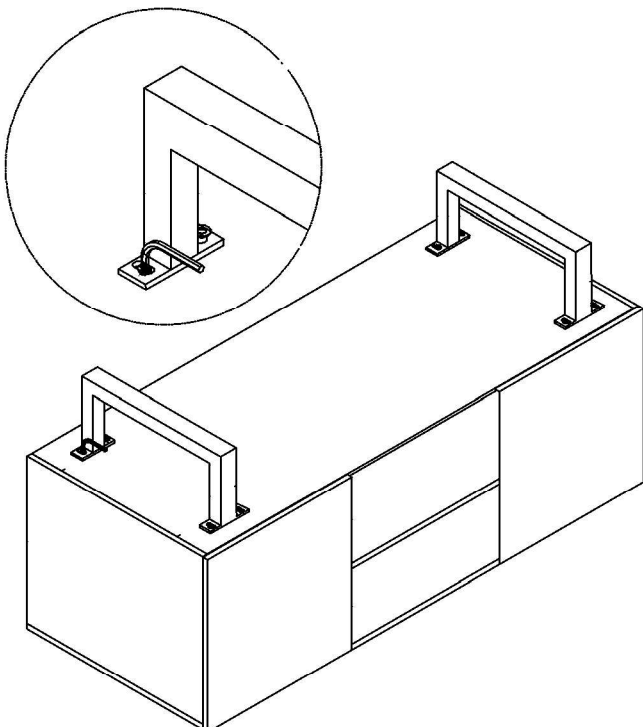


### 2.

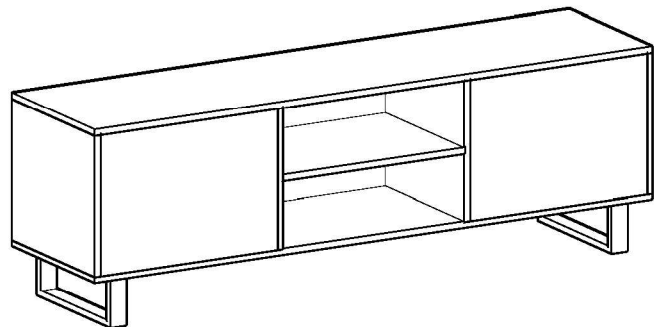


**NOTE :** Place TV Cabinet top on a clean, dry surface to prevent damage to top

### 3.



### 4.



**Your TV Cabinet is Now Ready to Use**