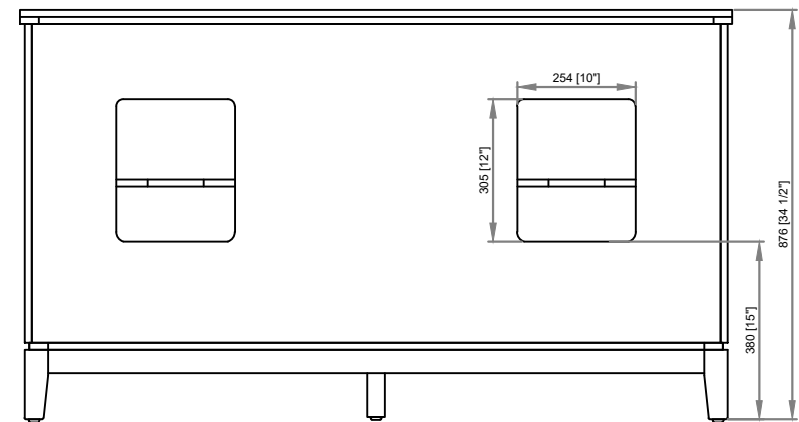
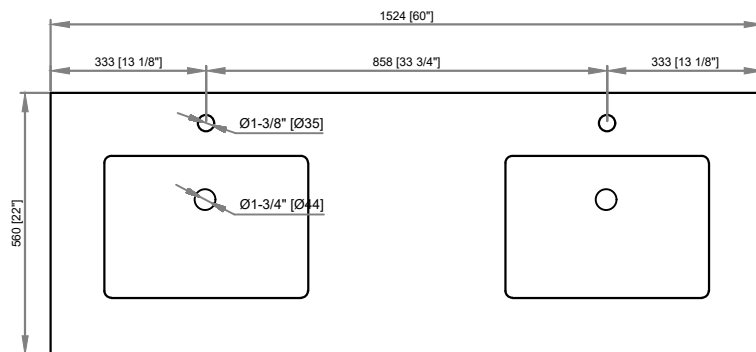
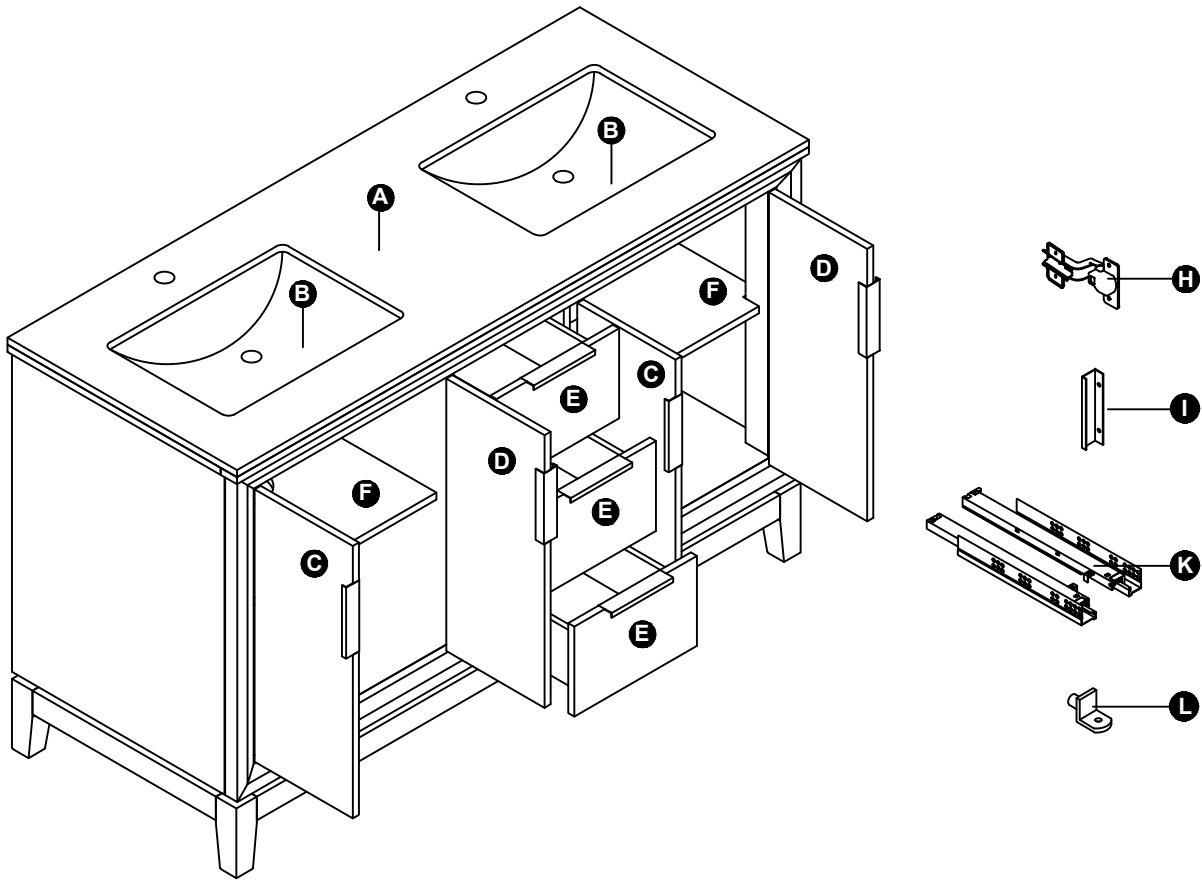


DIMENSIONS



#1

PART LIST



PART #	DESCRIPTION	QUANTITY
A	Countertop	1
B	Basin	2
C	Door (left)	2
D	Door (right)	2
E	Drawer	3
F	Adjustable shelf	2
H	Hinge (door)	8
I	Handle	7
K	Drawer glides	3
L	Shelf holder	8

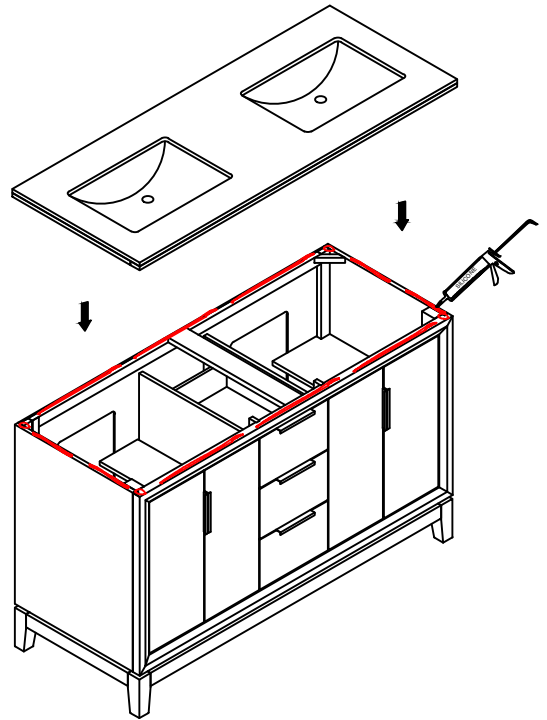
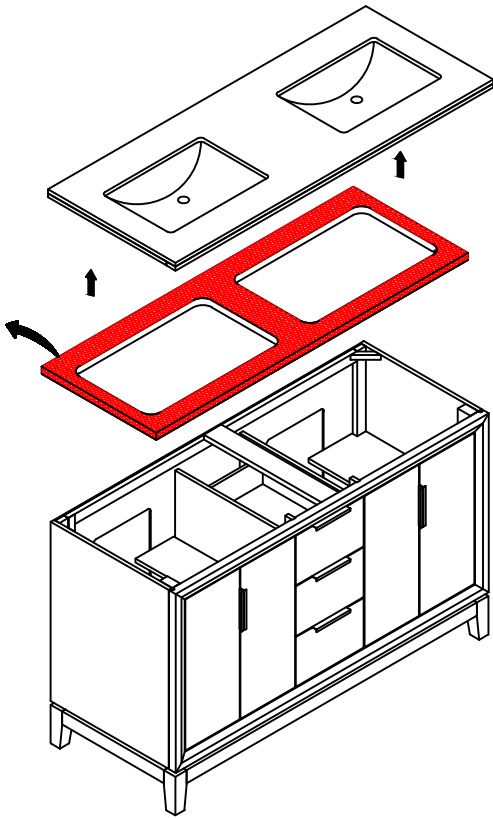
TOOLS REQUIRED (not supplied)



#2

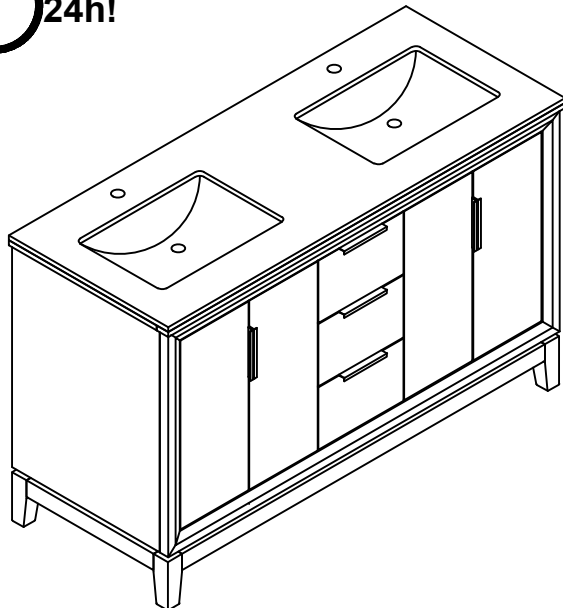
INSTALLATION

(A) (B)



INSTALLATION

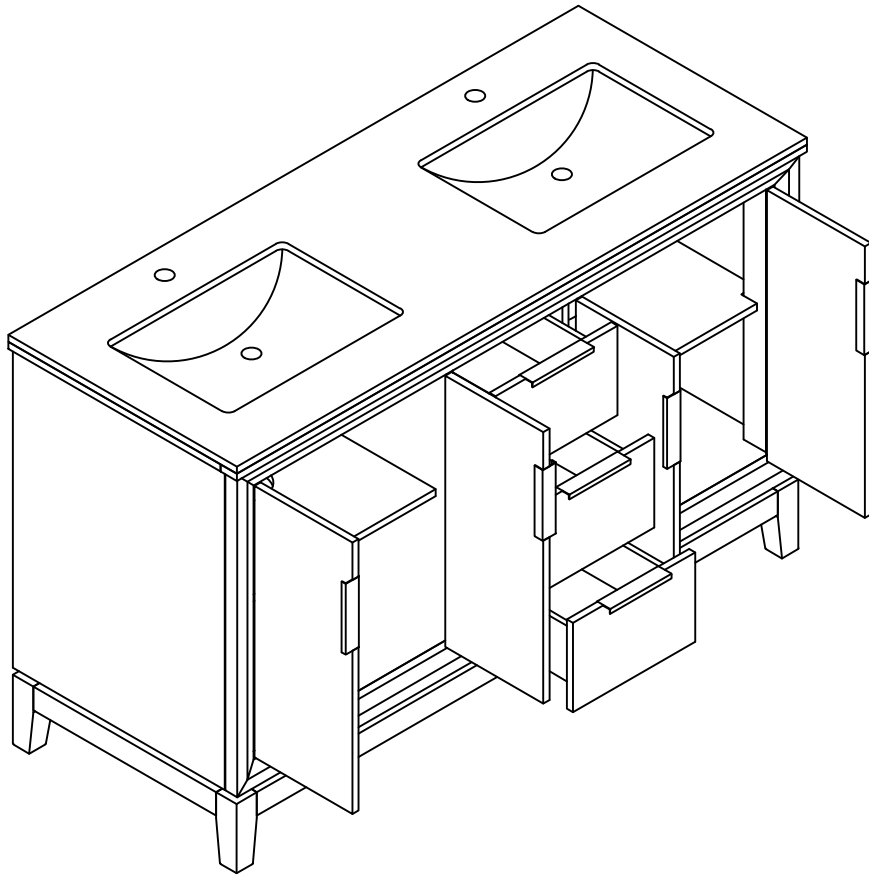
(A)



#3

DRAWER

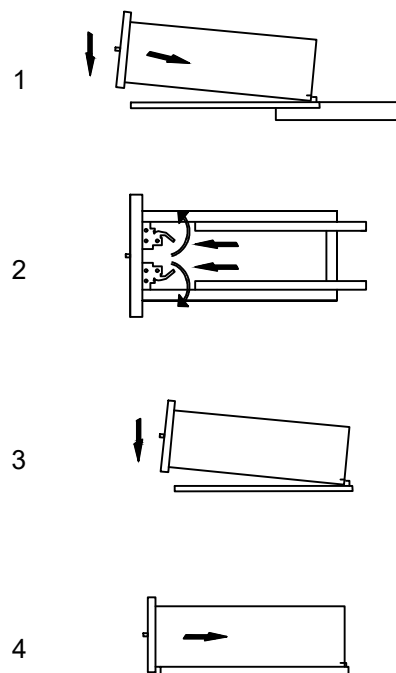
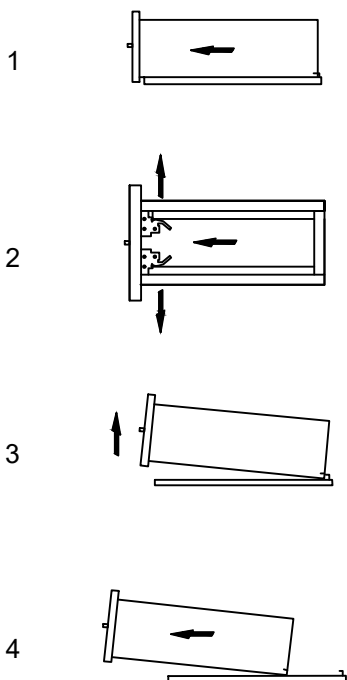
(A)

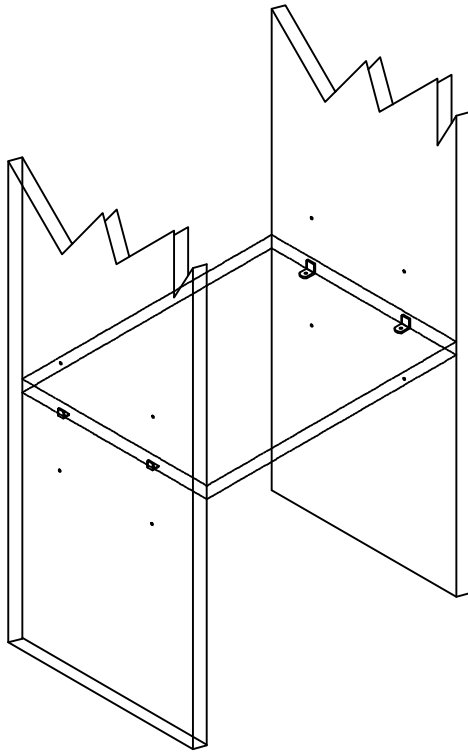


REMOVE

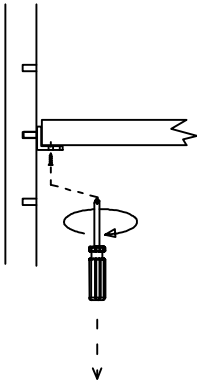
INSTALL

(B) (C)

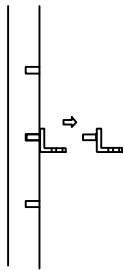




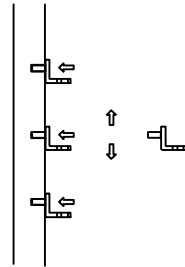
1



2



1



2

