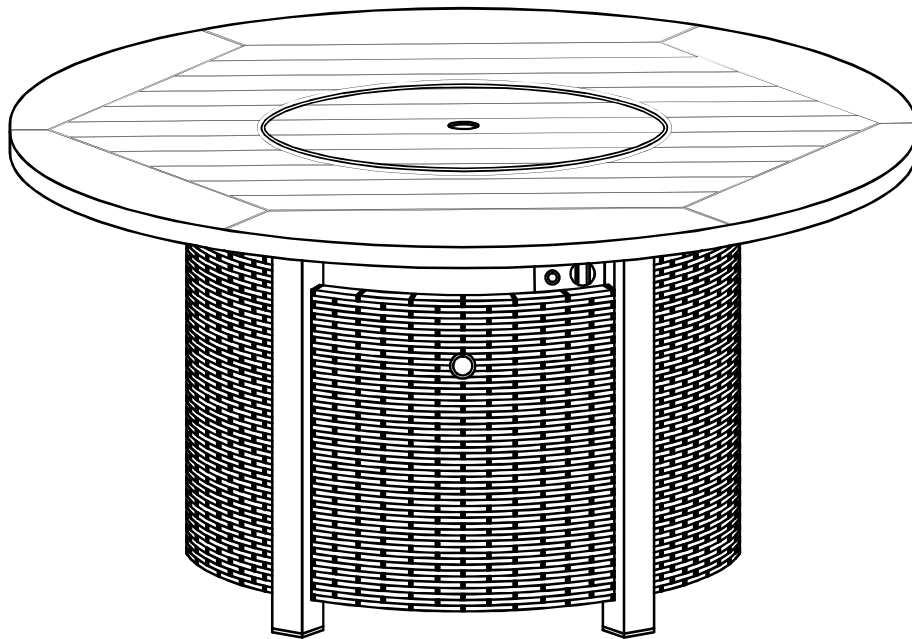




Outdoor Fire Pit Table User Guide

ITEM#: P750-776/P751-776



P750-776 (Brown) P751-776(Grey)

SAVE THESE INSTRUCTIONS

Product has been CSA tested and certified.

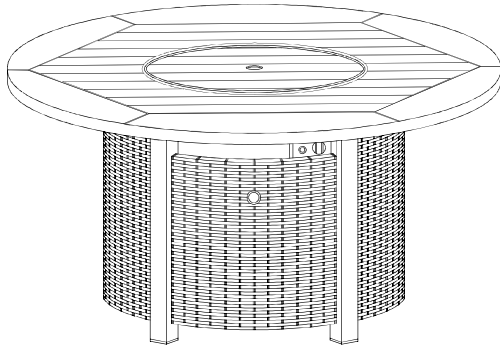
THIS PRODUCT WAS MANUFACTURED BY X AND Y INDUSTRIAL CO., LTD. FOR ASHLEY FURNITURE INDUSTRIES,LLC.



IMPORTANT, FAILURE TO CAREFULLY READ, UNDERSTAND AND FOLLOW EVERY PART OF THIS DOCUMENT MAY RESULT IN PROPERTY DAMAGE, SERIOUS BODILY INJURY OR DEATH



ASSEMBLY INSTRUCTIONS



CSA Model P750-776

Installer: Leave these instructions with consumer.

Consumer: Keep these instructions for future reference.



SAFETY INFORMATION

FOR USE WITH 20LB (9KG) PROPANE CYLINDER WITH TYPE 1 CONNECTION OR FOR USE WITH NATURAL GAS AFTER CONVERSION KIT IS INSTALLED (MUST BE PROFESSIONALLY INSTALLED) ALSO THE LP REGULATOR MUST BE SUPPLIED BY THE MANUFACTURER.



DANGER

DANGER indicates an imminently hazardous situation which, if not avoided, will result in death or serious injury.



WARNING

Do not store or use gasoline or other flammable vapors and liquids in the vicinity of this or any other appliance. An LP-cylinder not connected for use shall not be stored in the vicinity of this or any other appliance.



DANGER

Failure to comply with the precautions and instructions provided with this fire pit can result in death, serious bodily injury and property loss or damage from hazards of fire, explosion, burn, asphyxiation, and/or carbon monoxide poisoning. Only persons who can understand and follow the instructions should use or service this fire pit.



WARNING

USE FACTORY APPROVED REPLACEMENT PARTS AND ACCESSORIES ONLY. USE OF UNAPPROVED PART OR ACCESSORIES CAN VOID THE WARRANTY ON THIS PRODUCT AND RESULT IN A HAZARDOUS CONDITION. PLEASE CONTACT US FOR INFORMATION REGARDING REPLACEMENT HOSES, THERMOCOUPLES, ELECTRODES, IGNITION MODULES, LAVA ROCKS, LOGS, FIRE ICE, ETC.



DANGER

FOR YOUR SAFETY - if you smell gas;

1. Shut off gas to the appliance.
2. Extinguish any open flame.
3. If odor continues, keep away from the appliance and immediately call your gas supplier or fire department.



SAFETY INFORMATION



DANGER

EXPLOSION-FIRE HAZARD

Keep solid combustibles, such as building materials, paper or cardboard, a safe distance away from the fire pit as recommended by the instructions. Provide adequate clearances around air openings into the combustion chamber.

Never use the fire pit in spaces which do or may contain volatile or airborne combustibles, or products such as gasoline, solvents, paint thinner, dust particles or unknown chemicals.

During operation, this product can be a source of ignition. Keep fire pit area clear and free from combustible materials, gasoline, paint thinner, cleaning solvents and other flammable vapors and liquids. DO not use fire pit in areas with high dust content. Minimum fire pit clearances from combustible materials: two (2) feet from the sides & two (2) feet from the rear, 6 feet from ceiling.



DANGER

EXPLOSION - FIRE HAZARD

Never store propane near high heat, open flames, pilot lights, direct sunlight, other ignition sources or where temperatures exceed 120 degrees F (49°C). Propane vapors are heavier than air and can accumulate in low places. If you smell gas, leave the area immediately.

Never install or remove propane cylinder while fire pit is lighted, near flame, pilot lights, other ignition sources or while fire pit is hot to touch.

The fire pit is red hot during use and can ignite flammables too close to the burner. Keep flammables at least 2 feet from sides & 2 feet from rear, 6 feet from ceiling. Keep gasoline and other flammable liquids and vapors well away from fire pit.

Store the propane cylinder outdoors in a well-ventilated space out of reach of children. Never store the propane cylinder in an enclosed area (house, garage, etc.). If fire pit is to be stored indoors, disconnect the propane cylinder for outdoor storage and allow the fire pit to fully cool down prior to move indoors.



WARNING

We cannot foresee every use which may be made of our fire pit.

Check with your local fire safety authority if you have questions about fire pit use.

Other standards govern the use of fuel gases and heat producing products for specific uses. Your local authorities can advise you about these.

If no local codes exist, follow National Fuel Gas Code, ANSI Z223. 1. In Canada, installation must conform to local codes. If no local codes exist, follow the current National standards of CANADA CAN/CGA-B 149.2.



DANGER

CARBON MONOXIDE HAZARD

This fire pit is a combustion appliance. All combustion appliances produce carbon monoxide (CO) during the combustion process. This product is designed to produce extremely minute, non-hazardous amounts of CO if used and maintained in accordance with all warnings and instructions. DO not block air flow into or out of the fire pit. Carbon monoxide (CO) poisoning produces flu-like symptoms, watery eyes, headaches, dizziness, fatigue and possibly death. You can't see it and you can't smell it. It's an invisible killer. If these symptoms are present during operation of this product get fresh air immediately!

For outdoor use only.

Never use inside house, or other unventilated or enclosed areas.

This fire pit consumes air (oxygen). Do not use in unventilated or enclosed areas to avoid endangering your life.



WARNING

WARNING indicates an imminently hazardous situation which, if not avoided, will result in death or serious injury.



WARNING

Do not store or use gasoline or other flammable vapors and liquids in the vicinity of this or any other appliance. An LP-cylinder not connected for use shall not be stored in the vicinity of this or any other appliance.



WARNING: For Outdoor Use Only



DANGER



CARBON MONOXIDE HAZARD

This appliance can produce carbon monoxide which has no odor. Using it in an enclosed space can kill you. Never use this appliance in an enclosed space such as a camper, tent, car or home.



WARNING

Improper installation, adjustment alteration, service or maintenance can cause property damage, injury or death. Read the installation, operating and maintenance instructions thoroughly before installing or servicing this equipment.

TABLE OF CONTENTS

1. Important Safety Information.....	5
2. Information about Propane	7
3. Specifications	7
4. Parts List.....	8
5. Hardware List.....	9
6. Installation.....	10
7. Natural Gas Conversion	15
8. Lighting Instructions.....	16
9. Maintenance.....	17
10. Troubleshooting Guide	17

IMPORTANT SAFETY INFORMATION

The installation must conform with local codes or, in the absence of all applicable local codes, including, without limitation, with the National Fuel Gas Code, ANSI Z223.1/NFP A 54; International Fuel Gas Code; Natural Gas and Propane Installation Code, CSA B149.1; or Propane Storage and Handling Code, B149.2, as applicable.

The appliance and its appliance main gas valve must be disconnected from the gas supply piping system during any pressure testing of that system at test pressures in excess of 1/2 psi (3.5kPa).

The appliance must be isolated from the gas supply piping system by closing its equipment shutoff valve during any pressure testing of the gas supply system at test pressure equal to or less than 1/2 psi (3.5kPa).

The appliance area must be kept clear and free from combustible materials, gasoline and other flammable vapors and liquids.

Do not use this appliance if any part has been damaged or under water. Immediately call a qualified service technician to inspect. Immediately call a qualified service technician to inspect the appliance and to replace any part of the control system and any gas control which has been damaged or under water.

⚠WARNING Do not sit or stand on appliance even when not in use and do not touch appliance while in use or for at least 45 minutes after use as the appliance is very hot during use and can cause serious burns.

⚠WARNING The appliance will remain hot for up to 45 minutes after use. Do not touch or move appliance for at least 45 minutes after it has been completely shut off.

⚠WARNING Children and adults should be alerted to the hazards of high surface temperatures and kept at a safe distance to avoid burns or clothing ignition.

⚠WARNING All children should be kept away from the appliance and should not be allowed near the product unless carefully supervised by an adult.

⚠WARNING Clothing, any other object or flammable material should not be hung from the appliance, placed on, near or underneath the appliance.

⚠WARNING Any screen or guard removed for servicing an appliance must be replaced prior to operating the appliance.

⚠WARNING Keep children away from this appliance. This appliance contains small parts that can be swallowed by children resulting in serious bodily injury or death.

⚠WARNING Installation and repair should be done by a qualified service person. The appliance should be inspected before use and at least annually by a professional service person. More frequent cleaning may be required as necessary. It is imperative that the control compartments, burners and circulating air passageways of the appliance be kept clean.

Do NOT burn solid fuels in this gas fireplace.

Do NOT ignite the burner before pouring all of the burner media (lava rock or fire glass) into the burner pan. The media must be evenly distributed over the burner.

If during initial firing of fire pit, please stay away from the fire pit for 20 minutes as fire media (lava rock or fire glass) may pop and hit someone on the face or eyes

Do NOT ignite or use the fire pit if the burner media (lava rock or fire glass) are wet. Ensure the burner media are completely dry before igniting as intense heat could cause the media to crack and pop. Always place the cover on the appliance when not in use in order to avoid water contacting the media.

IMPORTANT SAFETY INFORMATION

It is UNSAFE to use this product for any purpose except as described in this document including, without limitation, cooking.

CAUTION: The propane gas pressure regulator provided with this appliance must be used. This regulator is set for an outlet pressure of 11 inches water column.

This outdoor gas appliance is not intended to be installed in or on recreational vehicles and/or boats.

Before each use of this gas appliance, open the LP (Liquid Propane) Tank Drawer and inspect the LP Hose. If there is evidence of excessive abrasion or wear, or the hose is cut, it must be replaced prior to the gas appliance being put into operation. Use only the replacement hose assembly specified in this manual. Inspect the burner before each use of the appliance. The burner must be replaced prior to the appliance being put into operation if it is evident that the burner is damaged. Use only the burner listed in these instructions.

Keep the fuel supply hose away from any heated surfaces.

If you have any questions regarding the use of this unit, or find that your fire pit unit needs service, please contact Ashley Furniture Industries at the below number.
1 (800) 477-2222 Customer Service.



IMPORTANT SAFETY INFORMATION ABOUT PROPANE (LP) GAS



A self-contained LP-gas cylinder for use with this appliance must have a capacity of 20 lbs. and must be equipped with a Type 1 connector and an OPD (overfill protection device). See Figure 1.

The LP-gas supply cylinder to be used must be constructed and marked in accordance with the specification for LP-gas cylinders of the U.S. Department of Transportation (DOT) or the National Standard of Canada, *CAN/CSA-B339, Cylinder, Sphere and Tubes for the Transportation of Dangerous Goods*.

⚠WARNING

The cylinder supply system must be arranged for vapor withdrawal.

⚠WARNING

The cylinder used must include a collar to protect the cylinder valve.

⚠WARNING

This appliance shall be used only outdoors in a well-ventilated space and shall not be used in a building, garage or any other enclosed space.

⚠WARNING

When this appliance is not in use, the gas must be turned off at the supply cylinder.

⚠WARNING

Storage of this appliance indoors is permissible only if the cylinder is disconnected and removed from the appliance.

⚠WARNING

Cylinders must be stored outdoors in a well-ventilated area out of the reach of children. Disconnected cylinders must have threaded valve plugs tightly installed and must not be stored in a building, garage or any other enclosed areas, storing cylinders indoors or in poorly ventilated space outdoors can result in serious bodily injury and/or death.

CSA (Canadian Standards Association) certified to ANSI Z21.97•CSA 2.41-2016

“Outdoor Decorative Gas Appliances”.

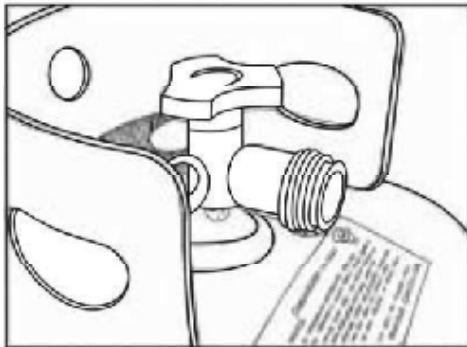
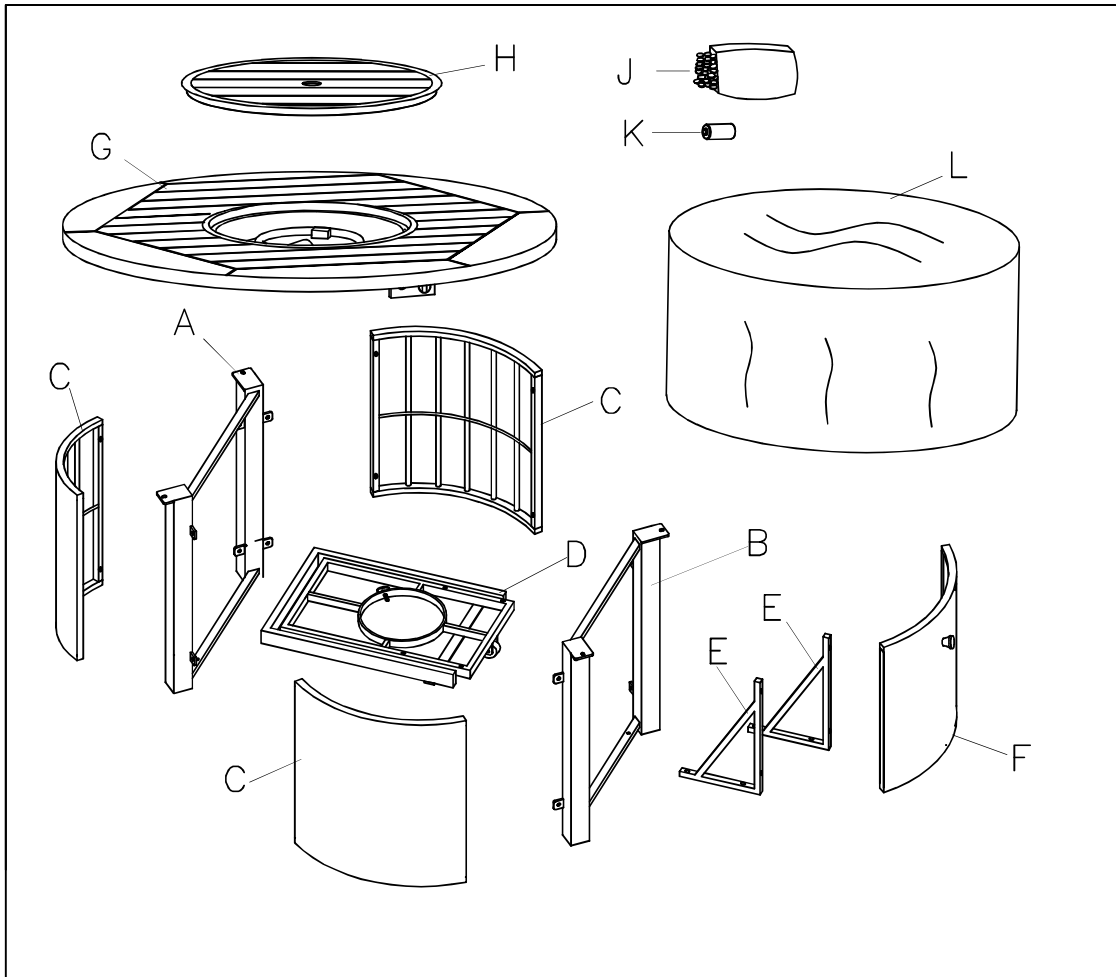


Figure 1

SPECIFICATIONS

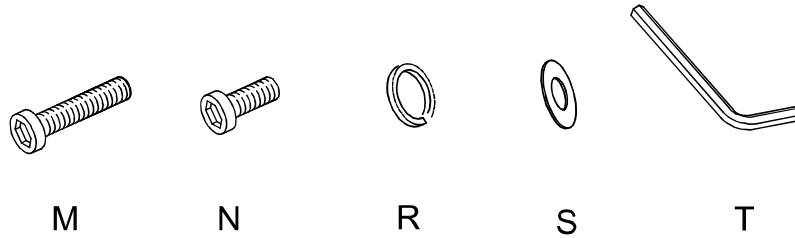
INPUT	55,000 Btu/hr	
Propane Regulator Pressure	11 inches water column	
Natural Gas Minimum Inlet Pressure	7 inches water column	
Clearances to combustible surfaces	Sides: 24in. / 61cm	Top: 72 in. / 183 cm

PARTS IDENTIFICATION LIST



Item	Description	Qty
A	Back Frame	1PC
B	Front Frame	1PC
C	Side Panel	3PC
D	Tank Holder	1PC
E	Triangular Bracket	2PC
F	Front Door Panel	1PC
G	Table Top	1PC
H	Lid	1PC
J	Fire Glass(Weight:8.5kg)	1 BOX
K	Battery (AAA)	1PC
L	PVC Cover	1PC

HARDWARE LIST



Item	Description	Qty
M	1/4"*30mm Bolt	12 PCS
N	1/4"*20mm Bolt	16 PCS
R	1/4" Lock Washer	28 PCS
S	Ø6.2*Ø14 Flat Washer	28 PCS
T	4mm Allen Wrench	1 PCS

Before beginning assembly of this product be sure all parts are present. Compare parts with package contents list and hardware contents list. If any part appears to be missing or damaged do not begin assembly of this product and call customer service immediately.

Estimated assembly time : 30 minutes

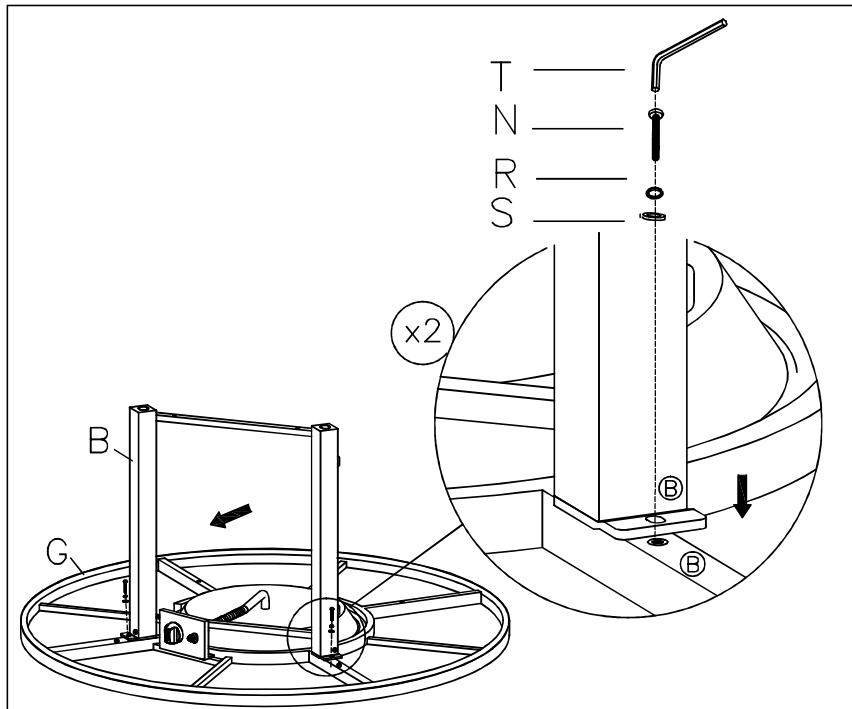
Tools required for assembly(included) : Wrench(T)

Do not place the parts directly on the ground to avoid dents and scratches.

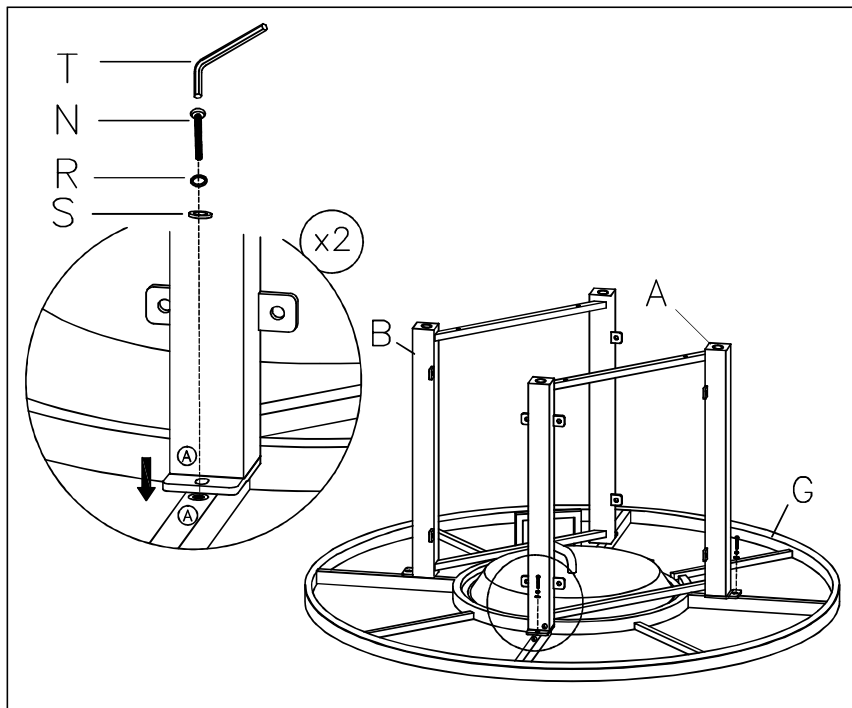
Do not tighten the screws until the fire pit table is completely assembled

INSTALLATION

1. Place Table Top (G) on assembly area upside down. Match the ② tags on Front Frame (B) and the ② tags on supporting tubes of table top, then attach Front Frame (B) to table top using 2 pcs 1/4"*20mm Bolts (N), 2 pcs 1/4" Lock Washers (R) and 2 pcs $\Phi 6.2 \times \Phi 14$ Flat Washers (S) by Allen Wrench (T).

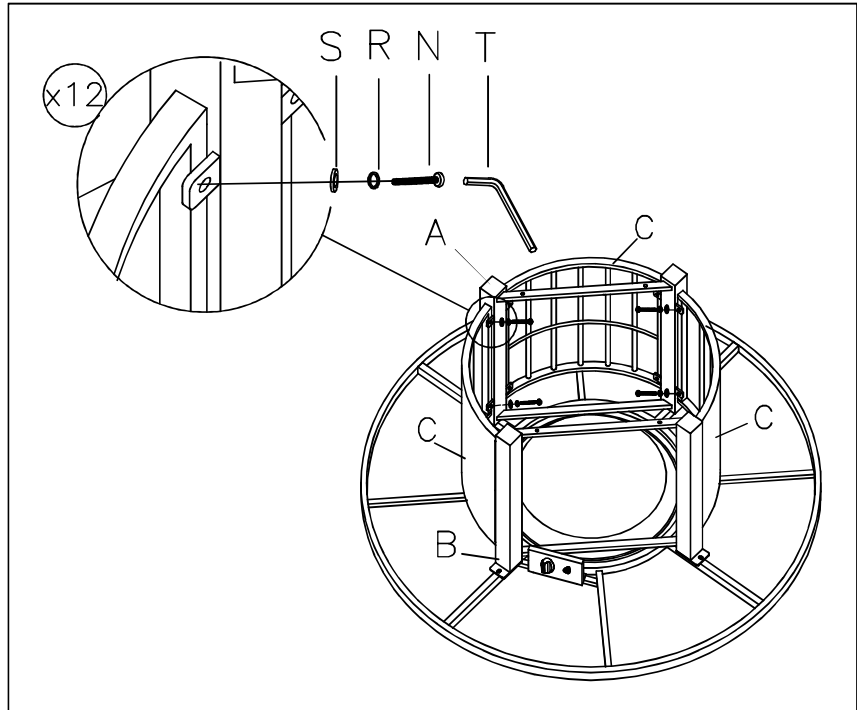


2. Match the ① tags on Back Frame (A) and the ① tags on supporting tubes of table top, then attach Back Frame (A) to table top using 2 pcs 1/4"*20mm Bolts (N), 2 pcs 1/4" Lock Washers (R) and 2 pcs $\Phi 6.2 \times \Phi 14$ Flat Washers (S) by Allen Wrench (T).

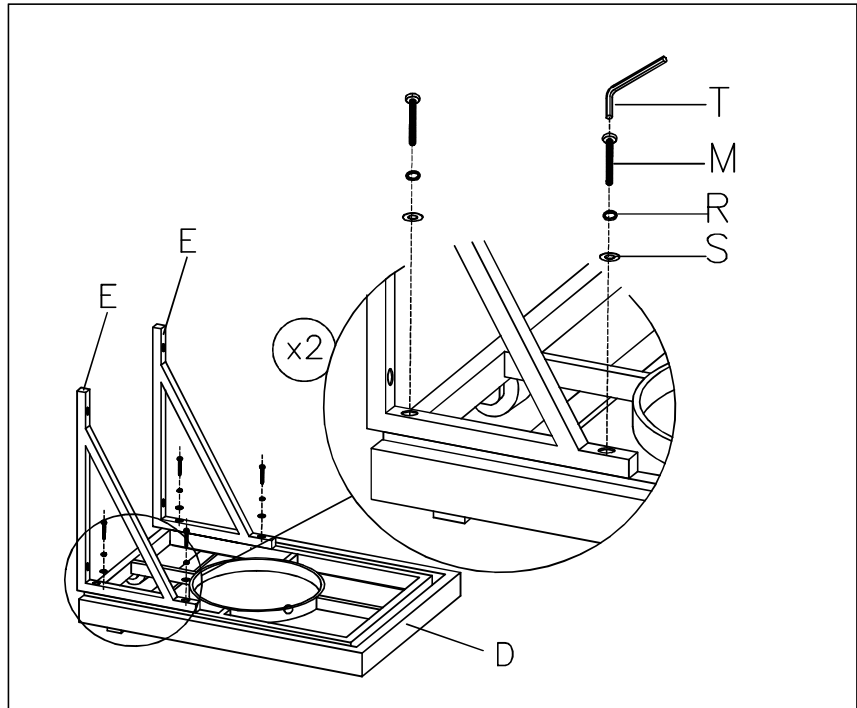


INSTALLATION

3. Attach three pieces of Side Panel (C) to Back Frame (A) and Front Frame (B) using 12 pcs 1/4"*20mm Bolts(N), 12 pcs 1/4" Lock Washers(R) and 12 pcs $\Phi 6.2 \times \Phi 14$ Flat Washers(S) by Allen Wrench (T).

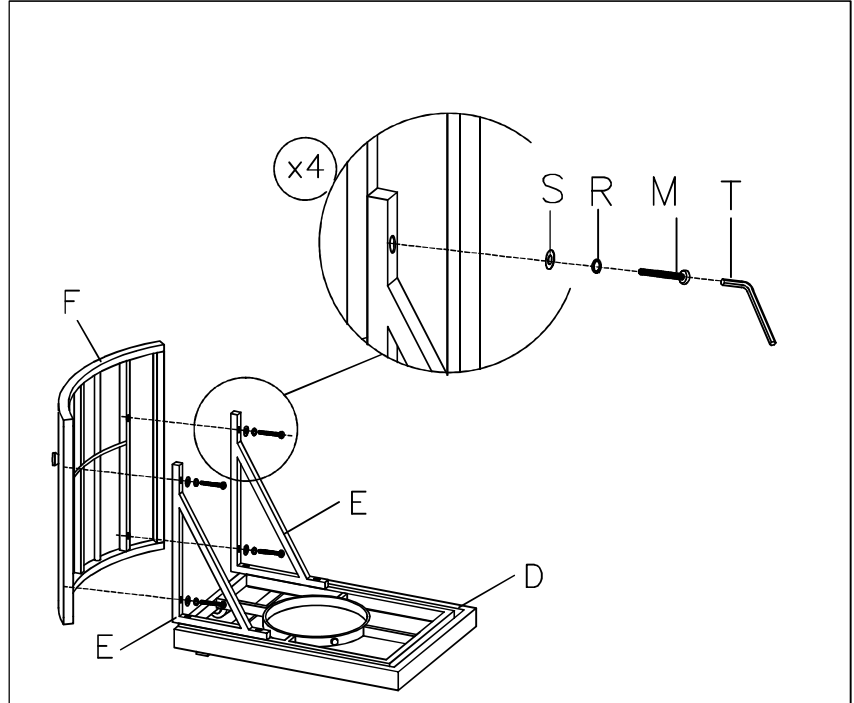


4. Attach the Triangular Bracket (E) to Tank Holder (D) using 4 pcs 1/4"*30mm Bolts(M), 4 pcs 1/4" Lock Washers(R) and 4 pcs $\Phi 6.2 \times \Phi 14$ Flat Washers(S) by Allen Wrench (T).

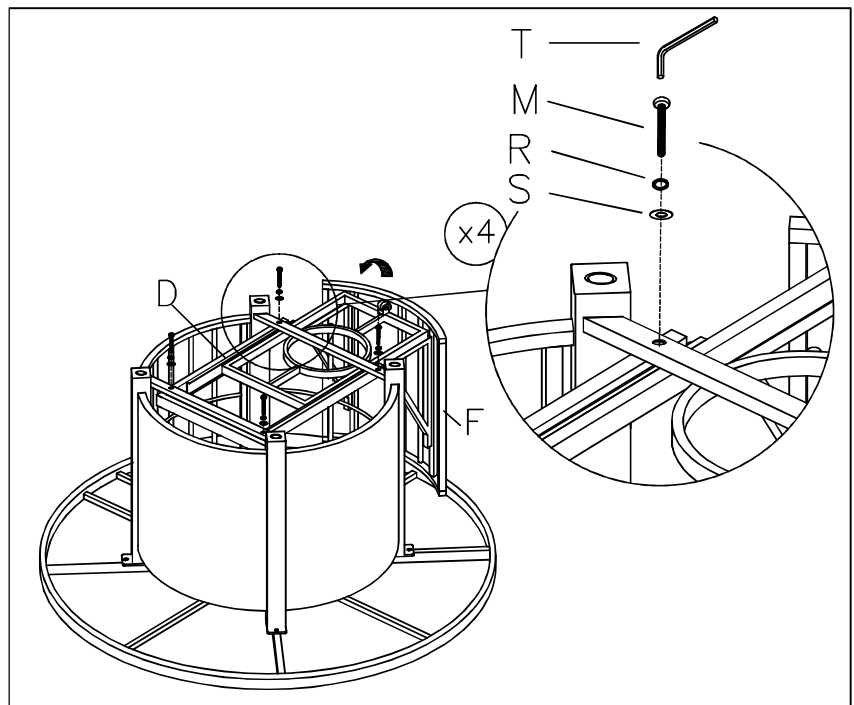


INSTALLATION

5. Attach the Front Door Panel (F) to Triangular Bracket (E) using 4 pcs 1/4"*30mm Bolts(M), 4 pcs 1/4"Lock Washers(R) and 4 pcs $\Phi 6.2 \times \Phi 14$ Flat Washers(S) by Allen Wrench (T).



6. Turn over the Tank Holder (D), attach the Tank Holder (D) to the floor bars of Front Frame (B) and Back Frame (A) using 4 pcs 1/4"*30mm Bolts(M), 4 pcs 1/4"Lock Washers(R) and 4 pcs $\Phi 6.2 \times \Phi 14$ Flat Washers(S) by Allen Wrench (T).



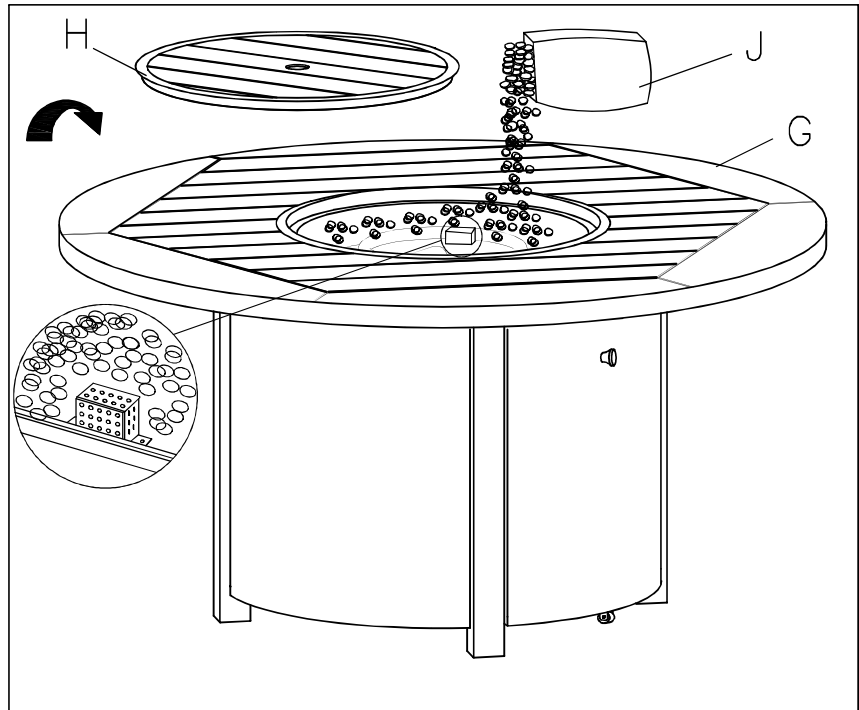
INSTALLATION

7. Using at least two adults to turn back the fire pit. Tighten all bolts. Steady the fire pit by adjusting the adjustable leveler at the bottom of the legs. Pour the fire glass into fire bowl.

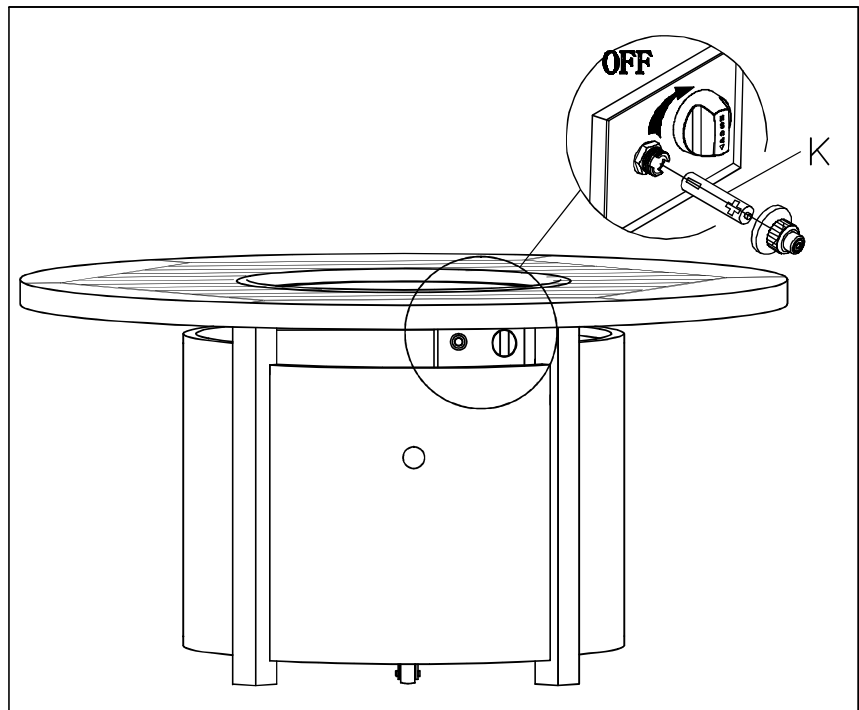
DANGER

To ensure proper function, the guard on this burner must not be covered by glass beads.

Cover the Lid (H) on the fire bowl.

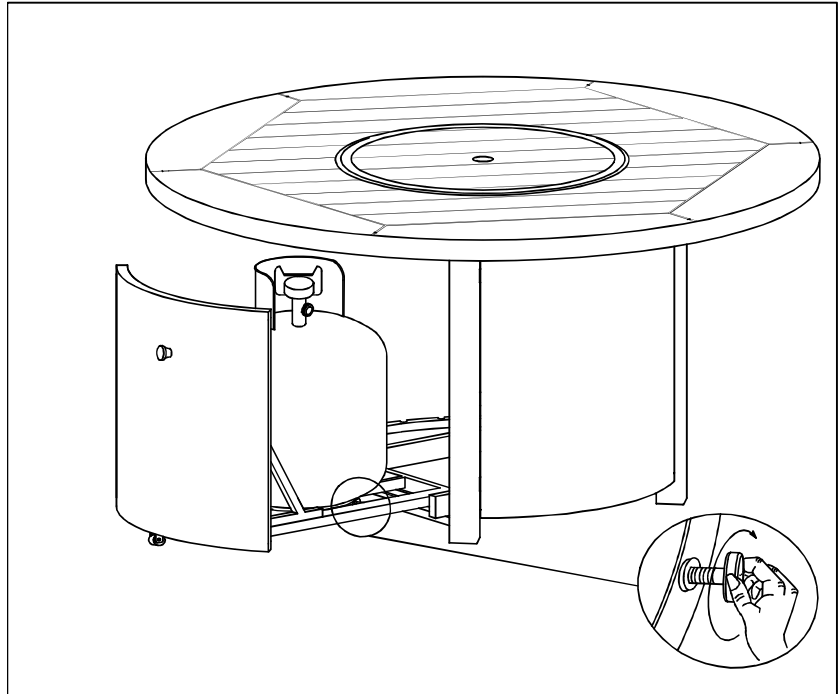


8. Make sure the control knob is in the "OFF" position. Unscrew the push button cap on the ignition module located on the control panel to access the Battery (K) compartment. The ignition module requires one AAA size Battery (K).

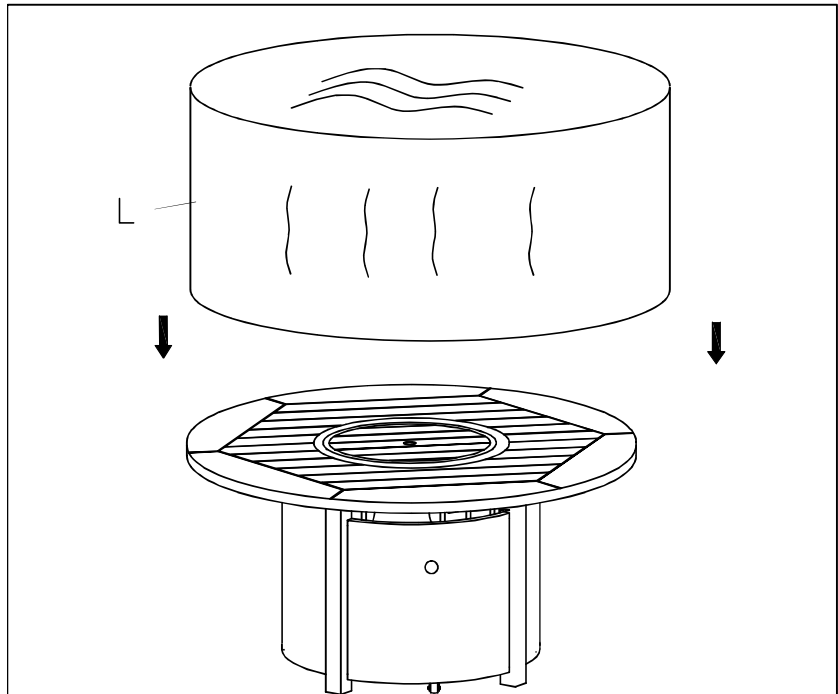


INSTALLATION

9. Open the door and place the propane gas tank(not included) into the tank holder. Tighten the preassembled wing screw clockwise to ensure the propane tank is secure. Close the door after the tank is connected to the regulator.

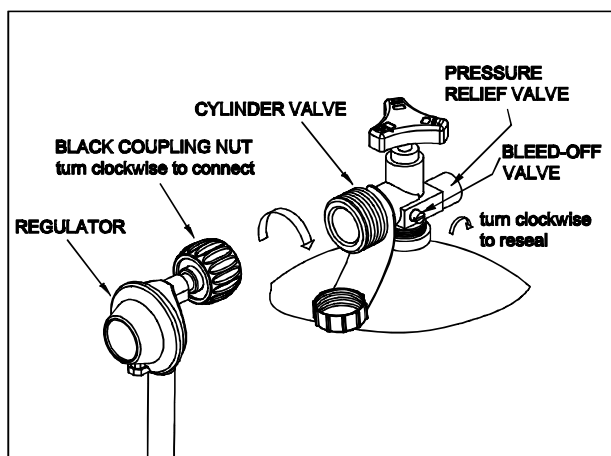


10. Cover the fire pit with the PVC cover(L) when not in used to protect the unit from the elements. The fire pit must be allowed to COMPLETELY cool after use before covering.



INSTALLATION

11. Turn the cylinder valve on the tank clockwise to close the propane tank. Attach the preassembled regulator to the cylinder valve by turning the regulator coupling nut clockwise. Make sure it is fastened securely and tighten connections by hand only. Open the tank valve. Apply a solution of soapy water to the tank-regulator connection and to the valve-hose connection to check for leaks. If soap bubbles continue to form, the connection has a leak. If a leak is found, close the tank valve and tighten all connections. NEVER USE A FLAME TO CHECK FOR LEAKS.



This unit can be converted to operate on natural gas. If you wish to convert this unit, please contact your Ashley Furniture representative and order PA50-1 (sold separately).



NATURAL GAS CONVERSION



Natural gas conversion must be performed only by your natural gas provider or service company. Attempting to perform the natural gas conversion yourself is not safe and may result in property damage, serious bodily injury or death.



IMPORTANT
SAVE THESE INSTRUCTIONS

DANGER
If you smell gas:
1. Shut off gas to the appliance.
2. Extinguish any open flame.
3. If odor continues, keep away from the appliance and immediately call your gas supplier or fire department.

WARNING

If the information in this manual is not followed exactly, a fire or explosion may result causing property damage personal injury or loss of life.
Improper installation, adjustment, alteration, service or maintenance can cause injury or property damage.
Read the installation, operation and maintenance instructions thoroughly before installing or servicing this equipment.



Prior to turning gas on and attempting to light the appliance, make sure the appliance is outside, in a well ventilated area and free of any debris and is not in contact with or near any people, animals, materials or structures. Failure to adhere to the above instruction may result in property damage, serious bodily injury or death.



LIGHTING INSTRUCTIONS

To Light

1. Read instructions before lighting.
2. Control knob must be in the "OFF" position. Remove the cover from the fire pit.
3. Connect propane cylinder (See Manual), open cylinder valve.
4. Push and turn control knob counter clockwise to "LOW".
5. Press the igniter button repeatedly to light burner.
6. Release control knob after 45 seconds.
7. If ignition does not occur in 45 seconds, push and turn burner control knob to "OFF", wait 5 minutes, fan with newspaper or magazine, and repeat lighting procedure.
8. If igniter does not light burner, use a long match or long butane lighter.
9. After burner ignites, adjust flame to desired flame with the control knob.

To Extinguish

1. Turn and push the control knob clockwise to the OFF position.
2. Close cylinder valve, disconnect propane cylinder.
3. Allow unit to cool completely before covering.

MAINTENANCE

- Before performing any maintenance always disconnect propane gas tank.
- Keep the heating item free and clear from combustible materials.
- Visually inspect burner for obstructions and keep tank enclosure free and clear from debris.
- Use a soft brush to get rid of the mild stains, loose dirt and soil after the burner is completely cooled down. Wipe down with a soft cloth.
- Harsh weather conditions may cause stubborn stains, discoloration and possibly rust pitting.
- Permanent damage may occur if powder or solvent comes in contact with painted or plastic components on this heating unit.
- Keep the heating unit stored away from direct sunlight.
- If storing this unit inside, disconnect the propane gas tank from the gas valve.
- Not using manufacturer approved or supplied parts/accessories may result in a defective condition and void the warranty of this heating unit.

TROUBLESHOOTING GUIDE

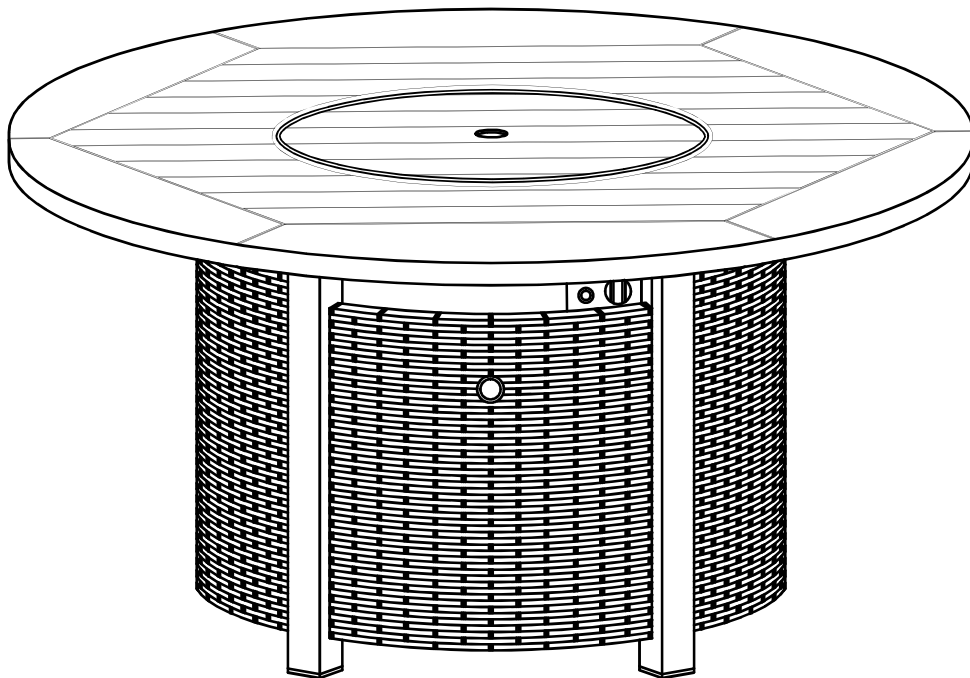
It is recommended that you contact a qualified service technician if you believe the appliance is not functioning properly.

PROBLEM	CAUSE	REMEDY
Burner won't light	No Propane Gas at Burner	Check that gas tank valve is open. Turn control knob to "ON" and push control knob in. Make sure tank has propane gas.
	No Spark at Electrode	Check that AAA battery is installed with negative (-) end first and has a charge. Check that the wire is connected to the ignition module. Check that the electrode is not cracked or broken.
	Lack of oxygen	Remove excess fire glass from around the ignition well.
Burner won't stay lit after lighting	Thermocouple not in flame	Check that the tip of the thermocouple is even with the top of the ignition well. Remove any glass beads from the ignition well.
	Thermocouple connection at the main control valve is loose	Tighten the thermocouple nut at the back of the valve.
	No fire glass on Burner	Cover the burner with fire glass per the instructions



Guide d'Utilisateur Foyer de Carré Extérieur

ARTICL#:P750-776/P751-776



P750-776 (Le Brun) P751-776(Gris)

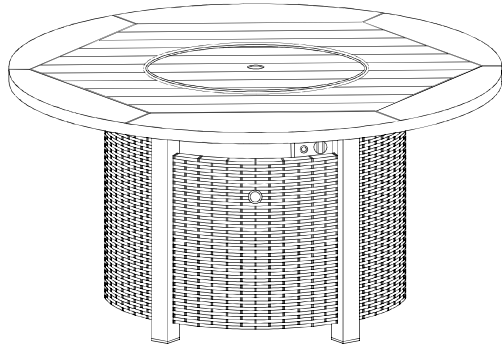
SAUVEGARDER CES INSTRUCTIONS

Le produit a été testé et certifié par CSA

CE PRODUIT A ETE FABRIQUE PAR SOURCES X AND Y INDUSTRIAL CO., LTD. FOR ASHLEY FURNITURE INDUSTRIES, LLC.

IMPORTANT, FAUTE DE LIRE ATTENTIVEMENT, COMPRENDRE ET SUIVRE CHAQUE PARTIE DE CE DOCUMENT POURRAIT CAUSER LE DOMMAGE DE BIENS, DE BLESSURE SERIEUSE DU CORPS OU LA MORT

INSTRUCTIONS DE MONTAGE



CSA Model P750-776

Installeur: Laisser ces instructions avec le client.

Client: Garder ces instructions pour la consultation ultérieure.

CONSIGNES DE SECURITE

POUR L' UTILISATION AVEC LA BOUTEILLE DE PROPANE DE 20LB (9KG) AVEC LA CONNEXION DU TYPE 1 OU POUR L' UTILISATION AVEC LE GAZ NATUREL APRES QUE LE KIT DE CONVERSION SOIT INSTALLE (DOIT ETRE INSTALLE PROFESSIONNELLEMENT) EGALEMENT LE REGULATEUR LP DOIT ETRE FOURNI PAR LE FABRICANT.

DANGER

DANGER indique une situation extrêmement dangereuse qui, si elle n' est pas évitée, pourrait causer des blessures

AVERTISSEMENT

Ne pas stocker ou utiliser l' essence ou autres vapeurs et liquides inflammables à l' proximité de ceci ou tout autre appareil. Une bouteille LP non connectée pour l' utilisation ne doit pas être stockée à l' proximité de ceci ou tout autre appareil.

DANGER

Faute de conformer avec les précautions et les instructions fournies avec ce foyer peut causer la mort, la blessure grave corporelle et la perte de propriété ou dommage des dangers d' incendie, d' explosion, de brûlure, l' asphyxie, et/ou l' intoxication de monoxyde de carbone. S' eule le s per so nne s q ui pe uve nt com pre ndre et sui vr e le s instructions doivent ut i liser ou server ce foyer.

AVERTISSEMENT

UTILISER SEULEMENT LES PIECES DE REMPLACEMENT ET LES ACCESSOIRES APPROUVES PAR L'USINE. L'UTILISATION DE PIECE OU ACCESSOIRE NON APPROUVE PEUT ANNULER LA GARANTIE SUR CE PRODUIT ET CAUSER UNE CONDITION DANGEREUSE. VEUILLEZ NOUS CONTACTER POUR L'INFORMAITON CONCERNANT LES TUYAUX , LES THERMOCOUPLES ? DES ELECTRODES , DES MODULES D'ALLUMAGE, DES PIERRES DE LAVA, DES BUCHES, ET LA GLACE DE FEU ETC.

DANGER

POUR VOTRE SECURITE – si vous sentez le gaz;
1.Eteindre le gaz à l' appareil.
2.Eteindre toute flamme ouverte
3.Si l' odeur continue. Garder loin de l' appareil et appeler immédiatement votre fournisseur de gaz ou le département de feu



CONSIGNES DE SECURITE



DANGER

DANGER D' EXPLOSION-FEU

Garder des combustibles solides, tels que des matériaux de construction, le papier de carton, une distance sûre loin de foyer comme recommandé par des instructions.

Garder le déblaiement adéquat autour des ouvertures d' air dans la chambre de combustion.

Jamais utiliser le foyer dans les espaces qui ne ou pourrait contenir les combustibles volatiles ou aériens, ou des produits comme l' essence, les solvants, le diluant à peinture, des particules de poussières ou des produits chimiques inconnus.

En cours d' opération, ce produit peut être une source d' allumage. Garder la zone de foyer déblaié et sans matériaux de construction, d' essence, de diluant à peinture, des solvants de nettoyage et autres vapeurs et liquides inflammables. Ne pas utiliser le foyer dans les zones avec le contenu de poussière élevé.



DANGER

DANGER EXPLOSION -FEU

Jamais stocker la propane près sde haute chaleur, des flammes ouvertes, des voyants lumineux, des lumières solaires directe, autres sources d' allumage ou où les tempé raturedé passant 120 degré s F

(49 ° C). Les vapeurs de propane sont plus é paissesque l' air et peuvent accumuler dans les endroits bas.

Si vous sentez le gaz, laisser immé diatement la zone la zone. Jamais installer ou enlever la bouteille de propane lorsque le foyer est allumé, près de flamme, des voyants lumineux, ou autres sources d' allumage ou lorsque le foyer est chaud à toucher

Le foyer est chaud rouge en cours d' utilisation et peut allumer des flammes très près de brûleur. Garder des flammes au mois 2 pouces de côtés & 2 pouces d' arrière, 6 pouces de plafond. Garder l' essence et autres liquides et vapeurs loin de foyer. Stocker la bouteille de propane à l' extérieur dans un espace bien ventilé hors porté edes enfants. Jamais stocker la bouteille de propane dans une zone enfermée (maison, garage etc.). Si le puits de feu doit être entreposé à l'intérieur, débranchez le cylindre de propane pour l'entreposage en plein air et laissez le puits de feu se refroidir complètement avant d' être déplacé à l'intérieur



AVERTISSEMENT

Nous ne pouvons pas anticiper chaque usage qui pourrait être de notre foyer.

Vérifier avec l' autorité de sécurité de votre local si vous avez des questions à propos de l' usage de foyer.

Autres normes régissent l' emploi de gaz et des produits produisant de chaleur pour des usages spécifiques. Votre autorités locales peuvent vous conseiller à propos de celles-ci.

Si aucun code local existe, suivre le Code de Gaz National, ANSI Z223. 1. Au Canada, l' installation doit conformer aux codes locaux. Si aucun code local existe, suivre les normes nationales actuelles de Canada.



DANGER

DANGER DE MONOXYDE DE CARBONE

Ce foyer est un appareil de combustion. Tous les appareils de combustion produisent le monoxyde de carbone (CO) en cours de combustion. Ce produit est conçu pour produire de montants de particules infimes non dangereuses de CO si utilisé et maintenu en conformité avec tous les avertissements et des instructions. NE pas bloquer la circulation d' air dans ou à l' extérieur de foyer. L' intoxication de monoxyde de carbone (CO) produit des symptômes similaires à la grippe, des yeux larmoyants, des maux de tête, des vertiges, la fatigue et possiblement la mort. Vous ne pouvez le voir et vous ne pouvez le sentir. C' est un tueur invisible. Si ces symptômes sont presents en cours d' opération de ce produit avoir l' air frais immédiatement!

Pour l'usage extérieur seul.

Jamais utiliser à l'intérieur de la maison, ou autres zones no



AVERTISSEM

AVERTISSEMENT indique une situation extrêmement dangereuse qui, si elle n' est pas évitée, peut causer la mort ou la blessure grave.



AVERTISSEM

Ne pas stocker ou utiliser l' essence ou autres vapeurs et liquides inflammables à l' proximité de cet ou tout autre appareil. Une bouteille LP non connectée pour l' utilisation ne doit pas être stockée à l' proximité de cet ou tout autre appareil.



AVERTISSEMENT: Seulement pour l' usage extérieur



DANGER



DANGER DE MONOXYDE DE CARBONE

Cet appareil peut produire le monoxyde de carbone qui n'a aucune odeur. L'utilisation de ceci dans un espace enfermé peut vous tuer. Jamais utiliser cet appareil dans un camp, une tente, un véhicule ou à la maison



AVERTISSEM

L' installation incorrecte, l' altération d' ajustement, l' entretien ou la maintenance peut causer le dommage de bien, lablessure ou la mort. Lire complètement des instructionsd' installation, d' opération et de maintenance avantl' installation ou l' opération de cet équipement.

TABLE DE MATIERES

1. Consignes de Sécurité Importantes.....	22
2. Information à propos de Propane	24
3. Spécifications.....	24
4. Liste des Pièces.....	25
5. La liste du matériel.....	26
6. Installation	27
7. Conversion de Gaz Naturel	32
8. Instructions d' Allumage.....	33
9. Maintenance	34
10. Guide de Dépannage	34

CONSIGNES DE SECURITE IMPORTANTES

L' installation doit conformer aux codes locaux ou, dans l' absence de tous les codes locaux applicables, y compris, sans limite, avec National Fuel Gas Code, ANSI Z223.1/NFP A 54; International Fuel Gas Code; Natural Gas and Propane Installation Code, CSA B149.1; ou Propane Storage and Handling Code, B149.2, comme applicable.

L' appareil et la vanne de gaz principale de l' appareil doivent être déconnectés de système de tuyauage d' alimentation de gaz en cours de test de pression de ce système à la pression de test limitée à 1/2 psi (3.5kPa).

L' appareil doit être isolé de système de tuyauage de gaz en fermant la vanne de fermeture en cours de test de pression de système d' alimentation de gaz à la pression de test égal ou moins de 1/2 psi (3.5kPa).

La zone de l' appareil doit être gardée dégagée et libre des matériaux combustibles, d' essence et autres vapeurs et liquides inflammables.

Ne pas utiliser cet appareil si toute pièce a été endommagée ou dans l' eau. Appeler immédiatement un technicien d' entretien qualifié pour inspecter l' appareil et remplacer toute pièce de système de contrôle et tout contrôle de gaz qui a été endommagé ou dans l' eau.

AVERTISSEMENT

Ne pas vous asseoir ou reposer sur l' appareil même s' il n' est pas en utilisation et ne pas toucher l' appareil en cours d' usage ou pour au moins 45 minutes après l' usage comme l' appareil est très chaud en cours d' usage et peut causer les brûlures graves.

AVERTISSEMENT

L' appareil va rester chaud pour jusqu' à 45 minutes après l' usage. Ne pas toucher ou déplacer l' appareil pour au moins 45 minutes après qu' il soit complètement éteint.

AVERTISSEMENT

Les enfants et les adultes doivent être avertis aux dangers de hautes températures de surface et gardées à une distance sûre pour éviter des brûlures ou l' allumage de tissu.

AVERTISSEMENT

Les enfants doivent être gardés loin de l' appareil et ne doivent pas être permis de près du produit sauf surveillance attentive par un adulte.

AVERTISSEMENT

La garniture, tout autre objet ou matériel inflammable ne doit pas être suspendu de l' appareil, mis la-dessus, près ou sous l' appareil.

AVERTISSEMENT

Tout écran ou protection enlevée pour entretenir un appareil doit être remplacé avant l' opération de l' appareil.

AVERTISSEMENT

Garder des enfants loin de cet appareil. Cet appareil contient des petites pièces qui peuvent être avalées par les enfants causant de blessure grave corporelle ou la mort.

AVERTISSEMENT

L' installation et la réparation doivent être faites par une personne d' entretien qualifiée. L' appareil doit être inspecté avant l' usage et au moins une fois par an par une personne d' entretien professionnelle. Le nettoyage plus fréquent pourrait être exigé si nécessaire. Il est impérative que les compartiments de contrôle, les brûleurs et les passages d' air de circulation de l' appareil soient gardés propre.

Ne PAS brûler des carburants solides dans ce foyer au gaz.

Ne PAS allumer le brûleur avant de verser tout de média de brûleur(pierre de lava ou glace de feu) dans le plat de brûleur. Le média doit être distribué proportionnellement sur le brûleur.

Si en cours d' allumage de foyer, veuillez rester loin de foyer pour 20 minutes comme le média de feu (pierre de lava ou glace de feu) pourrait sauter et frapper quelqu' un sur le visage ou dans les yeux.

Ne PAS allumer ou utiliser le foyer si le média de feu (pierre de lava ou glace de feu) sont mouillés. S' assurer que le média de brûleur soit sec complètement avant de l' allumer comme la chaleur intense pourrait causer le média à craquer et sauter. Mettre toujours le couvercle sur l' appareil en cas de non usage afin d' éviter l' eau de contacter le média .

CONSIGNES DE SECURITE IMPORTANTES

Il n' est pas SÛRE d' utiliser ce produit pour de but sauf décrit dans ce document y compris, sans limite, la cuisine.

PRECAUTION: Le régulateur de pression de propane fourni avec cet appareil doit être utilisé. Ce régulateur est réglé pour une pression de sortie de 11 pouces de colonne d' eau

Cet appareil de gaz externe n' est pas pour l' installation dans ou sur des véhicules et/ou bateaux de loisirs.

Avant chaque usage de cet appareil de gaz, ouvrir le Tiroir de Réservoir de LP (Propane Liquide) et inspecter le tuyau de LP. S'il y a l'évidence d'abrasion ou usure excessive, ou le tuyau est coupé, il doit être remplacé avant de mettre l'appareil en usage. Utiliser seulement le montage de tuyau de remplacement spécifié dans ce manuel. Inspecter le brûleur avant chaque usage de l'appareil. Le brûleur doit être remplacé avant de mettre l'appareil en usage s'il est clair que le brûleur est endommagé. Utiliser seulement le brûleur listé dans ces instructions.

Garder le tuyau d'alimentation loin des surfaces chaudes.

Si vous avez des questions concernant l'usage de cet appareil, ou trouvez que votre foyer nécessite l'entretien, veuillez contacter Ashley Furniture Industries au numéro ci-dessous.
1 (800) 477-2222 Service Clientèle.

CONSIGNES DE SECURITE IMPORTANTES A PROPOS DE PROPANE (LP)

Une bouteille de gaz autonome pour l'usage avec cet appareil doit avoir une capacité de 20 lbs. Et doit être équipé d'un connecteur de Type 1 et un OPD (appareil de protection surrempli). Voir Figure 1.

La bouteille de gaz LP à utiliser doit être construit et marqué en conformité avec la spécification pour les bouteilles de gaz LP de Département de Transport des E.U.A (DOT) ou la Norme Nationale de Canada, *CAN/CSA-B339, Bouteille, Sphère et Tubes pour le Transport des Biens Dangereux*.

- Le système d'alimentation de bouteille doit être arrange pour l'enlèvement de vapeur.
- La bouteille utilisée doit inclure un col pour protéger la vanne de bouteille.
- Cet appareil doit être utilisé seulement à l'extérieur dans un espace bien ventilé et ne doit pas être utilisé dans un bâtiment, garage ou tout autre espace enfermé.
- Lorsque cet appareil n'est pas en usage, le gaz doit être éteint à la bouteille de fourniture.
- Le stockage de cet appareil à l'intérieur est permis seulement si la bouteille est déconnecté et enlevée de l'appareil.

⚠ AVERTISSEMENT Les bouteilles doivent être stockées à l'extérieur dans une zone bien ventilée hors portées des enfants. Les bouteilles déconnectées doivent avoir des prises de vanne enfilées fermement installées et ne doit pas être stockées dans un bâtiment, garage, toutes autres zones enfermées. Le stockage des cylindres à l'intérieur ou dans des espaces mal ventilés à l'extérieur peut entraîner des blessures graves et / ou la mort.

CSA (Canadian Standards Association) certifié à ANSI Z21.97•CSA 2.41-2016 "Appareils de Gaz Décoration Externe".

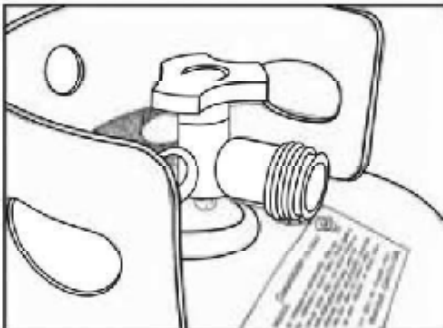
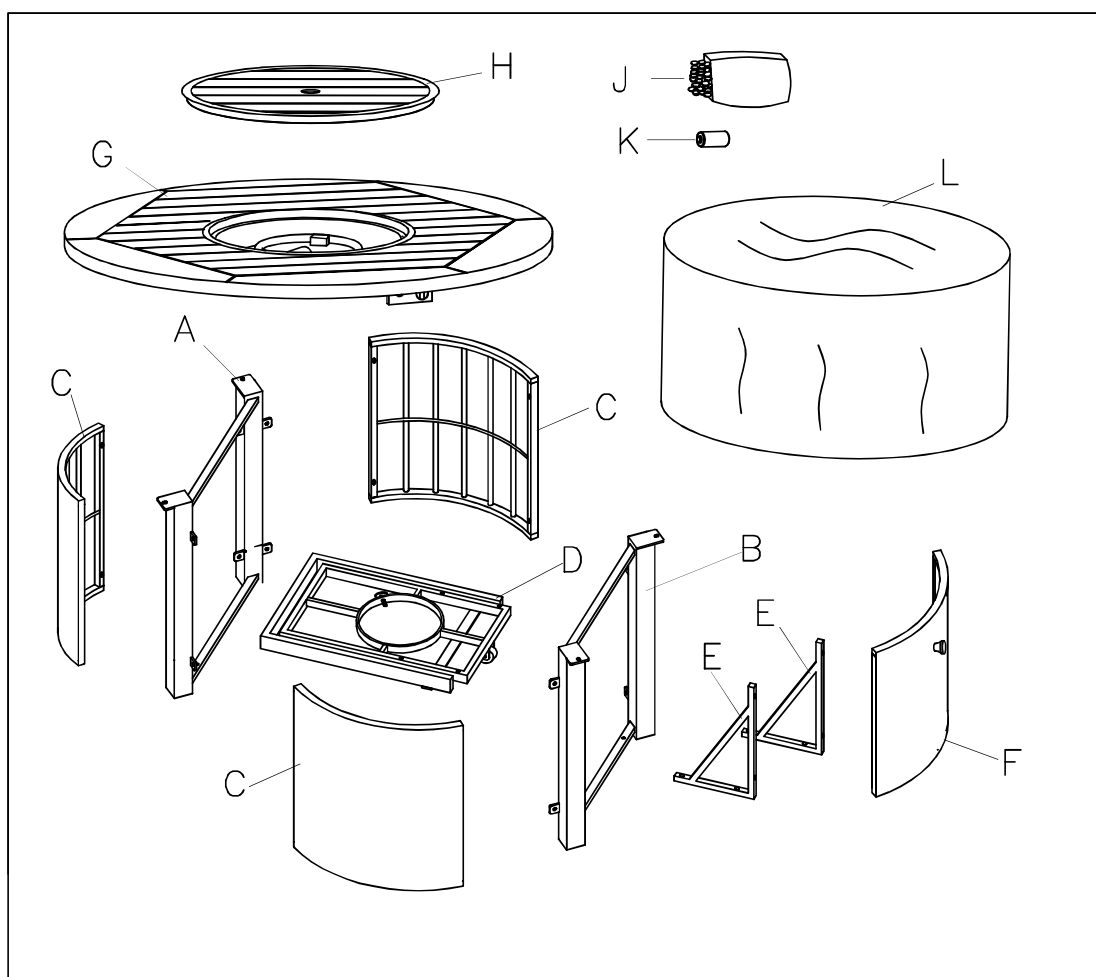


Figure 1

SPECIFICATIONS

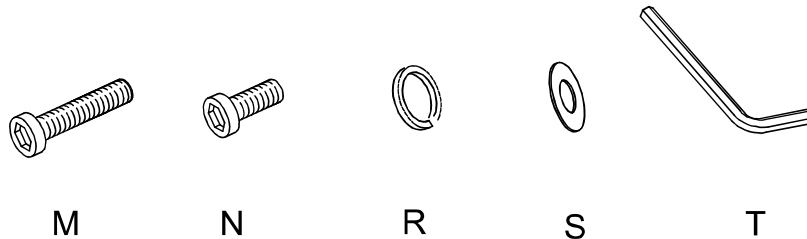
ENTREE	55,000 Btu/hr	
Pression de Régulateur de Propane	11 pouces colonne d'eau	
Pression d'Admission Minimale de Gaz Naturel	7 pouces colonne d'eau	
Déblaiement aux surfaces combustibles	Côtés: 24in./61cm	Haut: 72 in. / 183 cm

LISTE D'IDENTIFICATION DES PIECES



Objet	Description	Qté
A	Cadre arrière	1PC
B	Cadre avant	1PC
C	Panneau latéral	3PC
D	Support du Réservoir	1PC
E	Support triangulaire	2PC
F	Panneau de porte avant	1PC
G	Tableau de Table	1PC
H	Couvercle	1PC
J	Fibre de Verre (Poids : 8.5kg)	1 BOX
K	Pile (AAA)	1PC
L	Couverture PVC	1PC

Or la liste de pièces de rechange



Objet	Description	Qté
M	Boulon 1/4"*30mm	12 PCS
N	Boulon 1/4"*20mm	16 PCS
R	Rondelle de Blocage 1/4"	28 PCS
S	Rondelle Plate Ø6.2*Ø14	28 PCS
T	Clé Allen 4mm	1 PCS

Au début de ce produit d'assemblage, de veiller à ce que toutes les pièces détachées sont maintenant. Le contenu du tableau de comparaison le contenu et le matériel. Si certains éléments de perte ou de détérioration, KeFu immédiatement commencé l'assemblage de composer

L'assemblage de temps prévue: 30 minutes

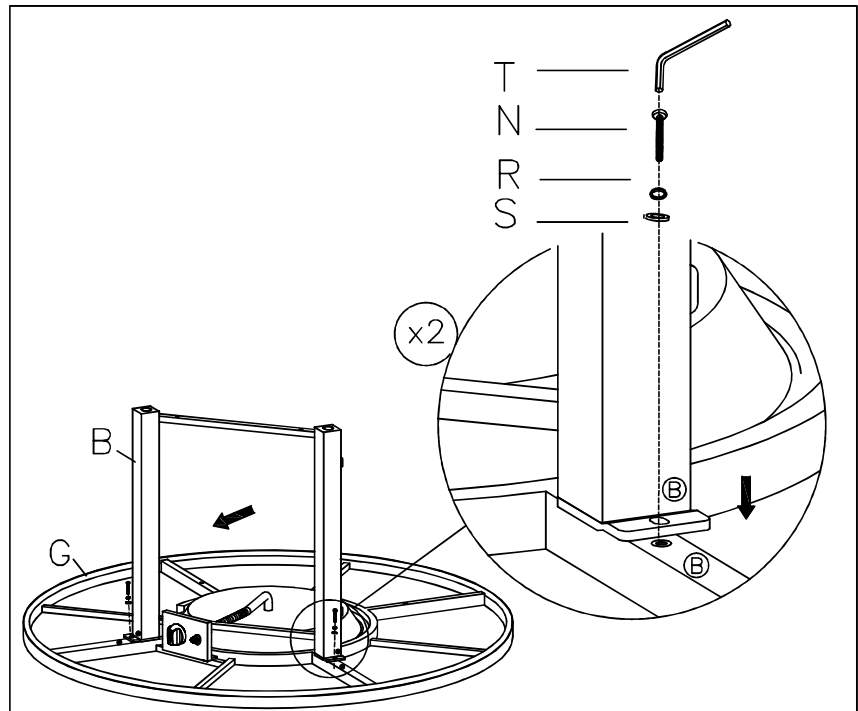
Les outils nécessaires pour l'assemblage (compris) : Clé Allen (T)

Ne placez pas les pièces directement sur le sol pour éviter les bosses et les rayures.

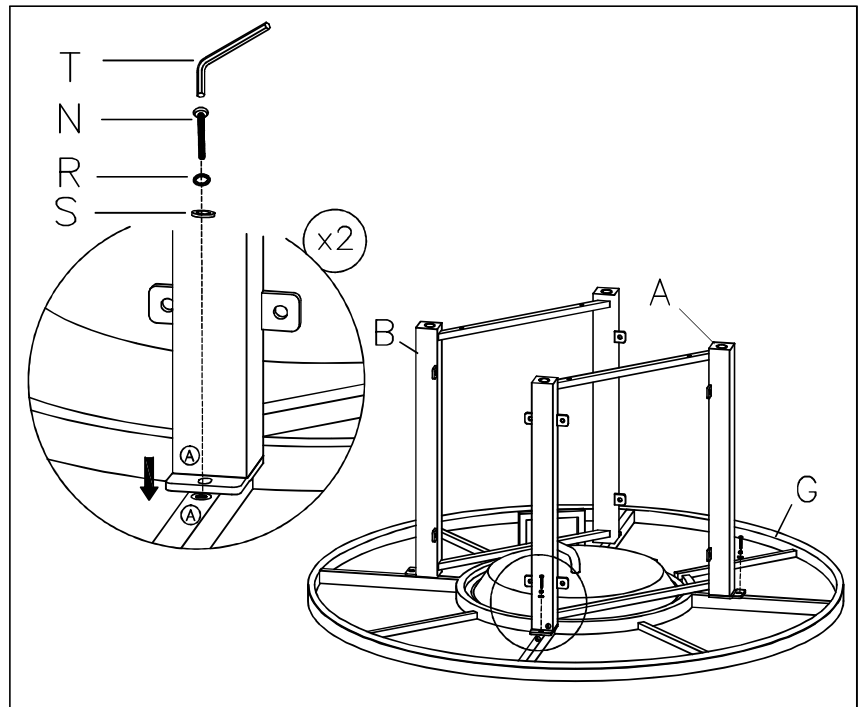
Ne serrez pas les vis jusqu'à ce que la table du foyer soit complètement assemblée.

INSTALLATION

1. Placez le plateau de table (G) à l'envers sur la zone de montage. Faites correspondre les étiquettes ② sur le cadre avant (B) et les étiquettes ② sur les tubes de support du plateau de table, puis fixez le cadre avant (B) au plateau de table en utilisant 2 boulons 1/4"*20 mm (N), 2 rondelles de blocage 1/4" (R) et 2 rondelles plates (S) de $\Phi 6,2 \times \Phi 14$ par une clé Allen (T).

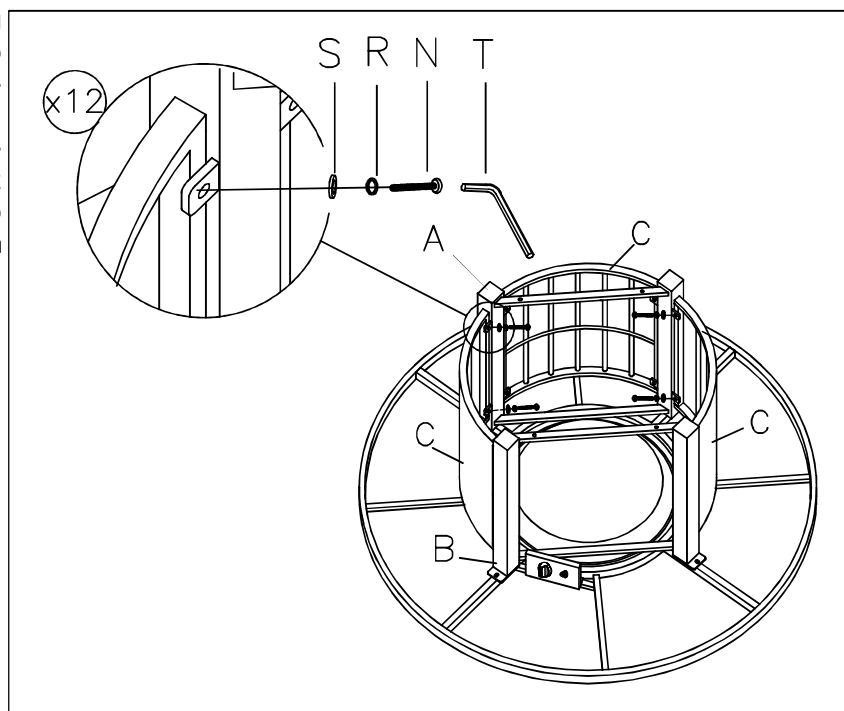


2. Faites correspondre les étiquettes ① sur le cadre arrière (A) et les étiquettes ① sur les tubes de support du plateau de table, puis fixez le cadre arrière (A) au plateau de table en utilisant 2 boulons 1/4"*20 mm (N), 2 rondelles de blocage 1/4" (R) et 2 pièces de rondelles plates (S) de $\Phi 6,2 \times \Phi 14$ par une clé Allen (T).

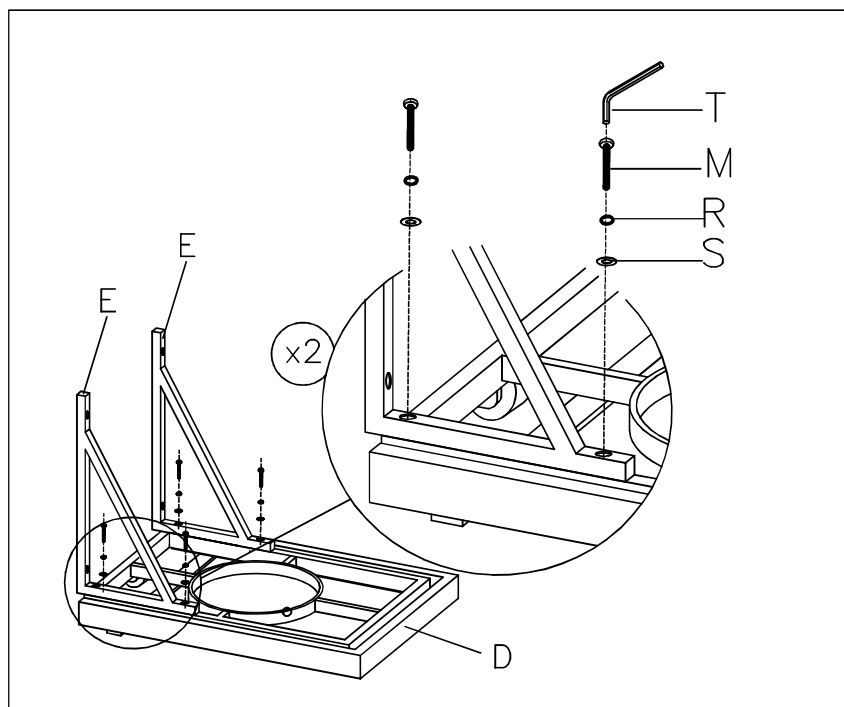


INSTALLATION

3. Fixez trois pièces de panneau latéral (C) au cadre arrière (A) et au cadre avant (B) à l'aide de 12 pièces de boulons 1/4"*20mm (N), 12 pièces de rondelles de blocage 1/4" (R) et 12 pièces de rondelles plates (S) de $\Phi 6,2 \times \Phi 14$ par une clé Allen (T).

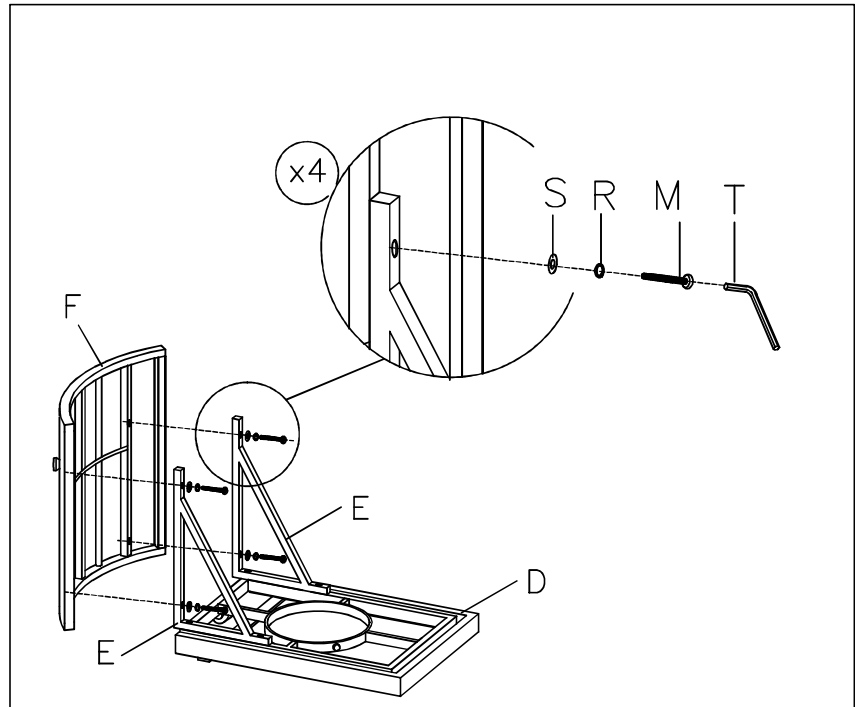


4. Fixez le support triangulaire (E) au support de réservoir (D) à l'aide de 4 pièces de boulons 1/4"*30mm (M), de 4 pièces de rondelles de blocage 1/4" (R) et de 4 pièces de rondelles plates (S) de $\Phi 6,2 \times \Phi 14$ par une clé Allen (T).

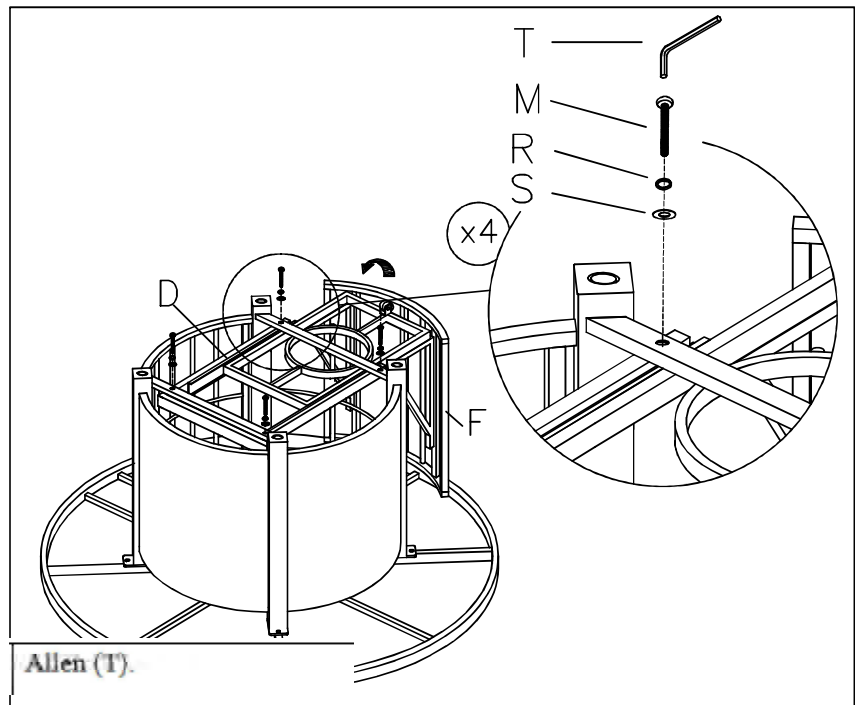


INSTALLATION

5. Fixez le panneau de porte avant (F) au support triangulaire (E) à l'aide de 4 boulons 1/4"×30mm (M), 4 rondelles de blocage 1/4" (R) et 4 pièces de rondelles plates (S) de $\Phi 6,2 \times \Phi 14$ par une clé Allen (T).



6. Retournez le support de réservoir (D), fixez le support de réservoir (D) aux barres de plancher du cadre avant (B) et du cadre arrière (A) à l'aide de 4 pièces de boulons 1/4"×30mm (M), 4 pièces de rondelles de blocage 1/4" (R) et 4 pièces de rondelles plates (S) de $\Phi 6,2 \times \Phi 14$ par une clé Allen (T).



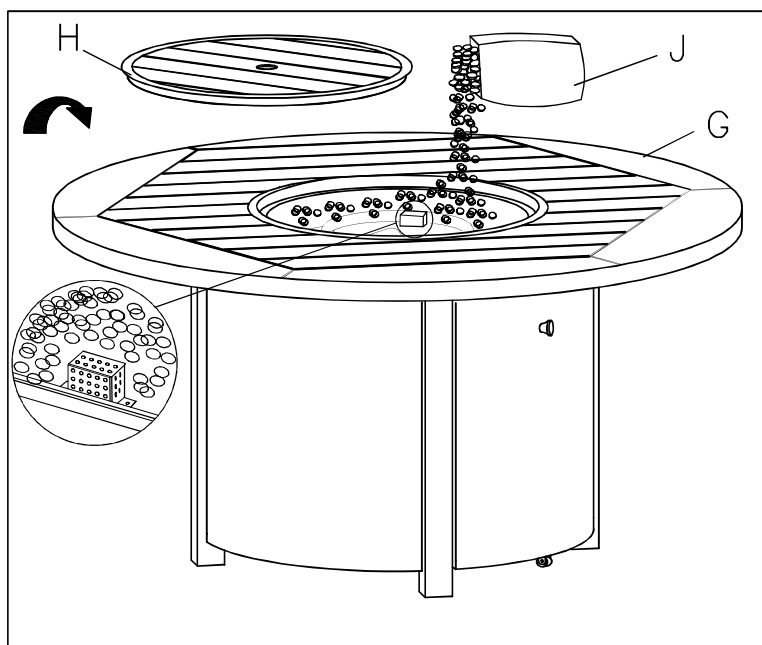
INSTALLATION

7. En utilisant au moins deux adultes pour faire demi-tour. Serrez tous les boulons. Réglez le foyer en réglant la niveleuse ajustable au bas des pieds. Versez le verre à feu dans le bol à feu.

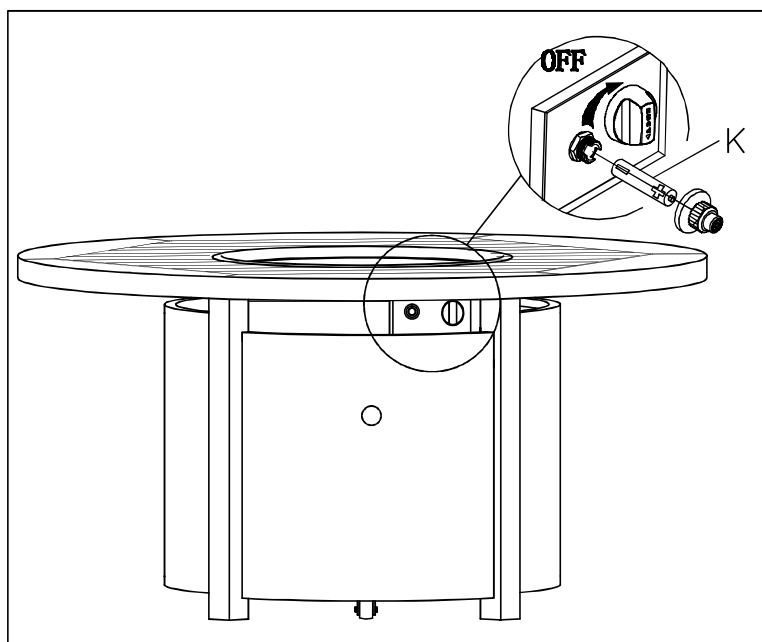
DANGER

Pour assurer le bon fonctionnement de ce brûleur, le protecteur ne doit pas être recouvert de billes de verre.

Couvrez le couvercle (H) du bol à feu.

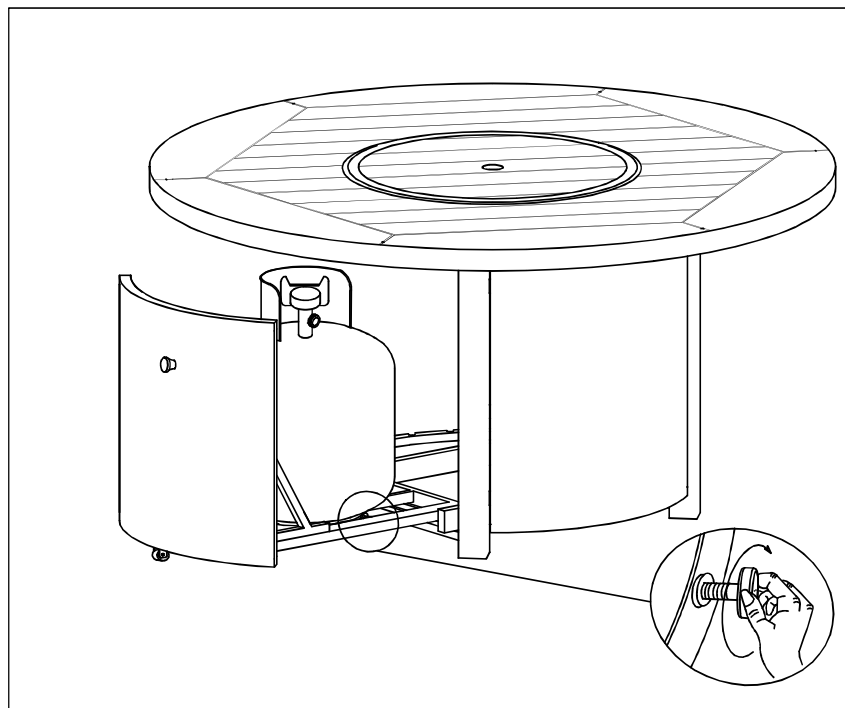


8. Assurez-vous que le bouton de commande soit sur la position "ARRÊT". Dévissez le capuchon du bouton poussoir sur le module d'allumage situé sur le panneau de contrôle pour accéder au emplacement à pile (K). Le module d'allumage requiert une pile de type AAA (K).

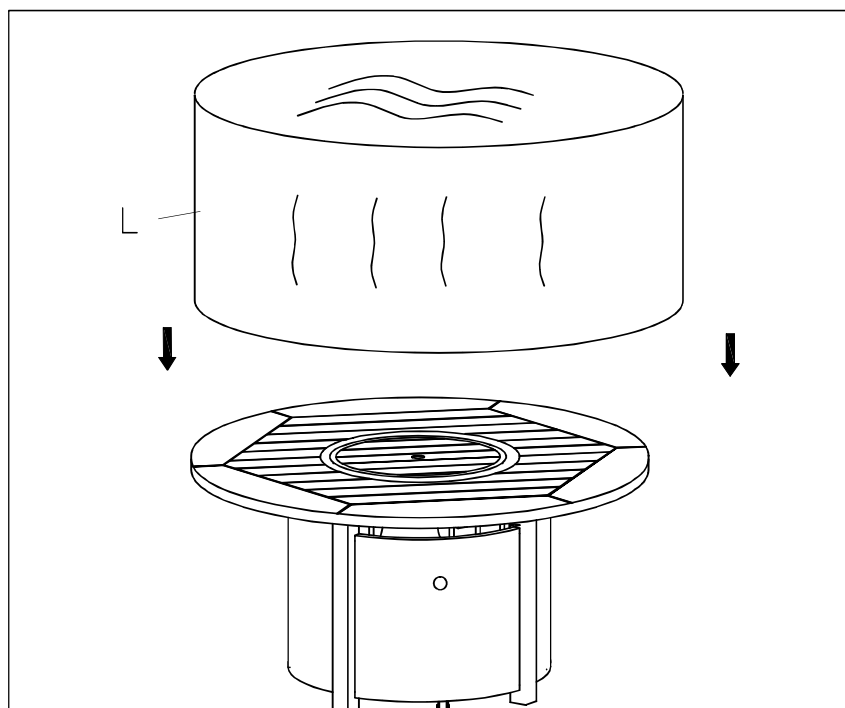


INSTALLATION

9. Ouvrez la porte et placez le réservoir de propane (non inclus) dans le support de réservoir. Serrez la vis à ailettes pré-assemblée dans le sens des aiguilles d'une montre pour vous assurer que la bouteille de propane est bien fixée. Fermez la porte une fois que le réservoir est connecté au régulateur.

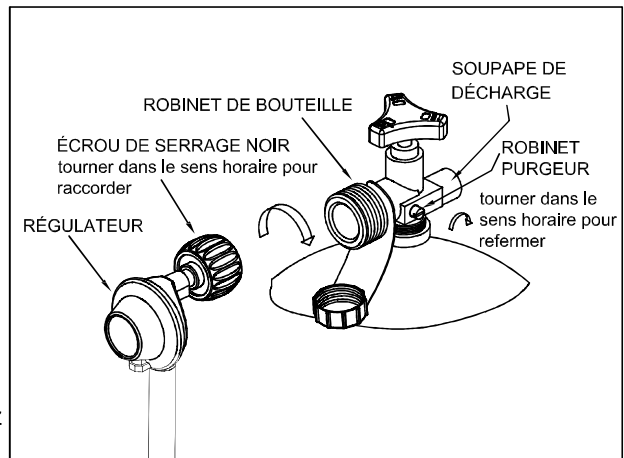


10. Couvrez le foyer d'un couvercle en PVC (L) lorsqu'il n'est pas utilisé pour protéger l'appareil des intempéries. Le foyer doit être **COMPLETEMENT** refroidi après utilisation avant d'être recouvert.



INSTALLATION

11. Faites tourner la valve cylindre sur le réservoir dans le sens des aiguilles d'une montre pour fermer le réservoir à propane. Attachez le régulateur préassemblé à la valve cylindre en tournant l'écrou de couplage dans le sens des aiguilles d'une montre. Assurez-vous qu'il soit bien attaché de façon sûre et serrez les connexions à la main seulement. Ouvrez la valve du réservoir. Appliquez une solution d'eau savonneuse aux connexions du régulateur du réservoir et à la connexion du tuyau de la valve pour vérifier qu'il n'y ait pas de fuite. Si des bulles de savons continuent de se former, la connexion à une fuite. En cas de fuite, fermez la valve du réservoir et serrez toutes les connexions. **Ne JAMAIS UTILISER DE FLAMME POUR RECHERCHER DES FUITES.**



Cette unité peut être convertie pour fonctionner au gaz naturel. Si vous souhaitez convertir cette unité, veuillez contacter votre Représentant Ashley et commandez le PA50-1 (vendu séparément).



CONVERSION AU GAZ NATUREL



La conversion au gaz naturel ne peut être effectuée que par votre fournisseur de gaz naturel ou entreprise de services. Tenter d'effectuer vous-même la conversion au gaz naturel n'est pas sûr et peut résulter en dommages aux biens, de sévères blessures corporelle ou la mort.



IMPORTANT

CONSERVEZ CES INSTRUCTIONS



Danger

Si vous sentez du gaz :

1. Fermez le gaz sur l'appareil.
2. Éteignez toute flamme.
3. Si l'odeur persiste, restez éloigné de l'appareil et appelez immédiatement votre fournisseur de gaz ou les pompiers.



MISE EN GARDE

Si les informations de ce manuel ne sont pas suivies à la lettre, un feu ou une explosion pourraient en résulter causant des dommages aux biens, blessures corporelles ou perte de la vie. Une mauvaise installation, un mauvais réglage, une altération, le service ou entretien peut causer des blessures ou dommages aux biens. Lisez attentivement les instructions d'installation, utilisation et entretien avant d'installer ou de vous servir de cet équipement.



Avant de mettre en marche le gaz et essayer d'allumer l'appareil, s'assurer que l'appareil soit à l'extérieur, dans une zone bien ventilée et hors débris et n'est pas en contact avec ou toute autre personne, animaux, matériaux ou structures. Faute de respecter l'instruction ci-dessus pourrait causer le dommage de bien, de blessure grave corporelle ou la mort.



INSTRUCTIONS D'ALLUMAGE

Pour Allumer

1. Lire des instructions avant l'allumage.
2. Le bouton de commande doit être à la position 'OFF'. Retirez le couvercle du foyer.
3. Connecter la bouteille de propane(Voir Manuel), ouvrir la vanne de la bouteille.
4. Pousser et mettre le bouton de commande en sens inverse des aiguilles d'une montre à 'BAS'.
5. Appuyer répétitivement sur le bouton allumeur pour allumer le brûleur.
6. Relâcher le bouton de commande après 45 secondes.
7. Si l'allumage n'a pas lieu dans 45 secondes, pousser et mettre le bouton de commande de brûleur à 'OFF', attendre 5 minutes, ventiler avec le journal ou magazine, et répéter la procédure d'allumage.
8. Si l'allumeur n'allume pas le brûleur, utiliser une longue marche ou un long allumeur de butane.
9. Après que le brûleur s'allume, régler la flamme à celle désirée avec le bouton de commande.

Pour Eteindre

1. Tourner et pousser le bouton de commande en sens des aiguilles d'une montre à la position OFF.
2. Fermer la vanne de la bouteille, déconnecter la bouteille de propane.
3. Laissez l'appareil refroidir complètement avant de le couvrir.

MAINTENANCE

- Avant de faire toute maintenance déconnecter toujours le réservoir de gaz de propane.
- Garder l'article chauffant libre et loin des matériaux combustibles.
- Inspecter visuellement le brûleur pour les obstructions et garder l'enceinte de réservoir libre et loin des débris.
- Utiliser une brosse douce pour enlever des taches légères, des salissures non adhérents et de sol après que le brûleur soit complètement refroidi. Essuyer avec un chiffon doux.
- Les conditions de climat difficiles pourraient causer des taches dures, de décoloration, et possiblement piqûre de rouille.
- Le dommage permanent pourrait avoir lieu si le poudre ou le solvant entre en contact avec les composants peints ou plastiques sur l'appareil chauffant.
- Garder l'appareil chauffant loin des lumières solaires directes.
- En cas de stocker à l'intérieur, déconnecter le réservoir de gaz de propane de la valve de gaz.
- L'utilisation des pièces/accessoires non approuvés par le fabricant pourrait causer une condition défective et annuler la garantie de cet appareil chauffant.

GUIDE DE DEPANNAGE

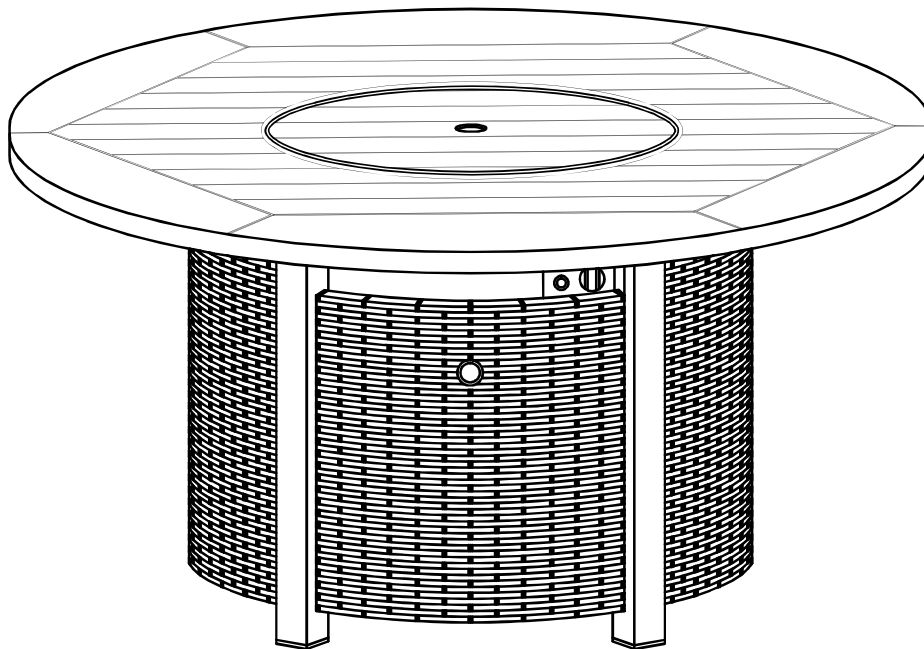
Il est recommandé que vous contactiez un technicien de service qualifié si vous pensez que l'appareil ne fonctionne pas correctement.

PROBLEME	CAUSE	REMEDIE
Le brûleur n'allume pas	Aucun Gaz de Propane au Brûleur	Check that gas tank valve is open. Turn control knob to "ON" and push control knob in. Make sure tank has propane gas.
	Aucune Etincelle à l'Electrode	Vérifier que la batterie AAA soit installée avec le bout négative (-) et ait une charge. Vérifier que le câble soit connecté au module d'allumage. Vérifier que l'électrode n'est pas fissuré ou cassé.
	Lack of oxygen	Enlever les pierres de lava excessives ou la glace de feu d'autour d'allumage
Le brûleur ne reste pas allumé après l'allumage	Le thermocouple n'est pas en flamme	Vérifier que la pointe de thermocouple est nivelée avec le haut d'allumage. Enlever toute pierre de lava d'allumage.
	La connexion de thermocouple à la valve principale est desserrée	Serrer l'écrou de thermocouple au dos de la valve
	Aucune Pierre de Lava sur le Brûleur	Couvrir le brûleur avec les glaces de feu selon les instructions



Manual del usuario de fogata cuadrada exterior

ÍTEM#: P750-776/P751-776



P750-776 (Marr ó n) P751-776(Gris)

GUARDA ESTAS INSTRUCCIONES

El producto ha sido probado y certificado de CSA.

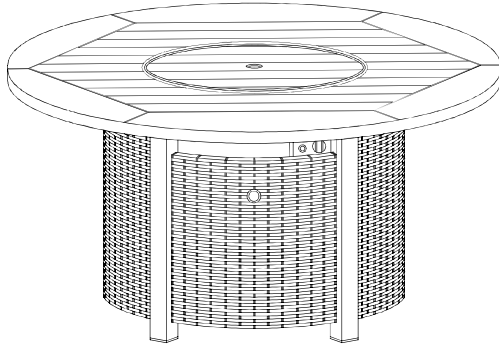
THIS PRODUCT WAS MANUFACTURED BY X AND Y INDUSTRIAL CO., LTD. FOR ASHLEY FURNITURE INDUSTRIES, LLC.



PARTE DE ESTE DOCUMENTO PUEDE RESULTAR EN DAÑOS A LA PROPIEDAD, LESIONES CORPORALES GRAVES O LA MUERTE



INSTRUCCIONES DE MONTAJE



CSA Model P750-776

Instalador: dejar estas instrucciones con el consumidor.

Consumidor: siga estas instrucciones para referencia futura.



INFORMACIÓN DE SEGURIDAD

Para uso con 20 libras (9 kg) cilindro de propano con tipo 1 conexión o para uso con gas natural después de la conversión kit es instalado (debe ser instalado profesionalmente) también el LP regulador debe ser suministrada por el fabricante.



PELIGRO

DANGER indicates an imminently hazardous situation which. If not avoided. Will result in death or serious injury.



ADVERTENCIA

No almacene o use gasolina u otros vapores y líquidos inflamables cerca de este o cualquier otro aparato. Un LP cilindro no conectado para su uso no será almacenada en las inmediaciones de este o cualquier otro aparato.



PELIGRO

El incumplimiento de las precauciones e instrucciones proporcionadas con este pozo de fuego puede resultar en muerte, lesiones corporales graves y pérdida de propiedad o daño por riesgos de incendio, explosión, quemadura, asfixia y / o envenenamiento por monóxido de carbono. Solamente las personas que puedan entender y seguir las instrucciones deben usar o dar servicio a esta fogata.



ADVERTENCIA

UTILICE SÓLO PIEZAS DE REPUESTO APROBADAS Y ACCESORIOS DE FÁBRICA. EL USO DE PARTE O ACCESORIOS NO APROBADOS PUEDE ANULAR LA GARANTÍA DE ESTE PRODUCTO Y RESULTAR EN UNA CONDICIÓN AHAZARO. POR FAVOR PÓNGASE EN CONTACTO CON NOSOTROS PARA INFORMACIÓN SOBRE REEMPLAZAMIENTO DE MANGUERAS, TERMOPARIOS, ELECTRODOS, MÓDULOS DE ENCENDIDO, LAVAROCKS, LOGS, FIRE ICE, ETC.



PELIGRO

PARA SU SEGURIDAD - si huele a gas;
1. Apague el gas del aparato.
2. Extinguir cualquier llama abierta.
3. Si el olor continúa. Manténgase alejado del aparato e inmediatamente llame al proveedor de gas o a los bomberos.



INFORMACIÓN DE SEGURIDAD



PELIGRO

PELIGRO DE EXPLOSION-INCENDIO

Mantenga los combustibles sólidos, tales como materiales de construcción, papel de cartón, a una distancia segura de la hoguera como se recomienda en las instrucciones.

Proporcione holguras adecuadas alrededor de las aberturas de aire en la cámara de combustión.

Nunca utilice el pozo de fuego en espacios que contengan o puedan contener combustibles volátiles o en el aire, o productos como gasolina, disolventes, diluyentes de pintura, partículas de polvo o sustancias químicas desconocidas.

Durante el funcionamiento, este producto puede ser una fuente de ignición. Mantenga el área del pozo de fuego libre y libre de materiales combustibles, gasolina, diluyente de pintura, disolventes de limpieza y otros vapores y líquidos inflamables. NO use pozo de fuego en áreas con alto contenido de polvo.

Espacios mínimos de fosas de fuego de materiales combustibles: dos (2) pies de los lados y dos (2) pies de la parte trasera, 6 pies del techo.



PELIGRO

EXPLOSION - RIESGO DE INCENDIO

Nunca guarde propano cerca de calor alto, llamas abiertas, pilotos, luz solar directa, otras fuentes de ignición o donde las temperaturas excedan los 120 ° F (49 ° C). Los vapores de propano son más pesados que el aire y pueden acumularse en lugares bajos. Si huele a gas, deje el área inmediatamente.

Nunca instale o retire el cilindro de propano mientras el pozo de incendio esté encendido, cerca de llamas, luces piloto, otras fuentes de ignición o cuando la hoguera esté caliente al tacto.

El pozo de fuego está caliente durante el uso y puede encender inflamables demasiado cerca del quemador. Mantenga los materiales inflamables por lo menos a 2 pies de los lados ya 2 pies de la parte trasera, 6 pies del techo. Mantenga la gasolina y otros líquidos y vapores inflamables lejos de la hoguera.

Si el pozo de fuego se debe almacenar en el interior, desconecte el cilindro de propano para el almacenamiento al aire libre y permitir que el pozo de fuego se enfríe completamente antes de moverse en el interior.



ADVERTENCIA

No podemos prever que todos los usos pueden ser hechos de nuestro pozo de fuego.

Consulte con su autoridad local de seguridad si tiene preguntas sobre el uso de fogatas. Otras normas regulan el uso de gases combustibles y productos productores de calor para usos específicos. Sus autoridades locales pueden aconsejarle sobre estos.

Si no existen códigos locales, siga el código nacional de combustible, ANSI Z223.1 en Canadá, la instalación debe cumplir con los códigos locales.

Si no existen códigos locales, siga el estándar nacional actual de CANADA CAN / CGA-B 149.2.



PELIGRO

PELIGRO DE MONOXIDO DE CARBONO

Este pozo de fuego es un aparato de combustión. Todos los aparatos de combustión producen monóxido de carbono (CO) durante el proceso de combustión. Este producto está diseñado para con todas las advertencias e instrucciones. NO olorosos, dolores de cabeza, mareos, fatiga y está presente durante la operación de este.

Nunca utilice el interior de la casa u otras áreas no ventiladas o cerradas.

Este pozo de fuego consume aire (oxígeno). No lo use en áreas no ventiladas o cerradas para evitar poner en peligro su vida.



ADVERTENCIA

WARNING indicates an imminently hazardous situation which, if not avoided, will result in death or serious injury.



ADVERTENCIA

Do not store or use gasoline or other flammable vapors and liquids in the vicinity of this or any other appliance. An LP-cylinder not connected for use shall not be stored in the vicinity of this or any other appliance.



ADVERTENCIA: Sólo para uso en exteriores y



PELIGRO



PELIGRO DE MONOXIDO DE CARBONO

Este aparato puede producir monóxido de carbono que sin olor. Usarlo en un espacio cerrado puede matarlo. Nunca utilice este aparato en un espacio cerrado, como un campista, una tienda, un automóvil o un hogar.



ADVERTENCIA

La instalación incorrecta, alteración del ajuste, servicio o mantenimiento pueden causar daños a la propiedad, lesiones o la muerte. Lea atentamente las instrucciones de instalación, operación y mantenimiento antes de instalar o reparar este equipo.

TABLA DE CONTENIDO

1. Información de Seguridad Importante.....	39
2. Información sobre el Propano	41
3. Especificaciones	42
4. Lista de piezas.....	43
5. Una lista de hardware	44
6. Instalación	45
7. Conversión de gas natural	50
8. Instrucciones de iluminación	51
9. Mantenimiento.....	52
10. Guía de solución de problemas	52



INFORMACIÓN DE SEGURIDAD IMPORTANTE



La instalación debe cumplir con los códigos locales o, en ausencia de códigos locales de todos los códigos locales aplicables, incluyendo, sin limitación, con el Código Nacional de gas combustible, ANSI Z223.1/NFPA 54; Código Internacional de gas combustible.; Código de instalación de gas natural y propano CSA B149.1.; o propano, almacenamiento y manejo de código, B149.2, según proceda.

El artefacto y su válvula de gas principal debe ser desconectada del sistema de tuberías de suministro de gas durante la prueba de presión del sistema en presiones de ensayo en exceso de 1 / 2 psi (3.5kpa).

El aparato debe estar aislado del sistema de tuberías de suministro de gas mediante el cierre de su equipo, válvula de cierre durante la prueba de presión del sistema de suministro de gas a la presión de prueba inferior o igual a 1 / 2 psi (3.5kpa). El aparato debe mantenerse limpia y libre de materiales combustibles, gasolina y otros líquidos y vapores inflamables.

No use este aparato si alguna parte ha sido dañado o bajo el agua. Inmediatamente llame a un técnico de servicio cualificado para inspeccionar. Inmediatamente llame a un técnico de servicio cualificado para inspeccionar la aplicación GNO y reemplazar cualquier parte del sistema de control y control del gas que ha sido dañado o bajo el agua.

⚠WARNING No sentarse o pararse sobre el aparato, incluso cuando no está en uso y no toque el aparato mientras en uso o por lo menos 45 minutos después de su uso, el aparato es muy caliente durante Uso y puede causar quemaduras graves.

⚠WARNING El aparato permanecerá caliente para hasta 45 minutos después de su uso. No tocar o mover el aparato durante al menos 45 minutos después de que haya sido completamente apagado.

⚠WARNING Los niños y los adultos deben ser alertados sobre los peligros de las elevadas temperaturas de la superficie y se mantiene a una distancia segura para evitar quemaduras o ropa de encendido.

⚠WARNING Todos los niños deben mantenerse lejos del aparato y no debe ser permitido cerca del producto a menos que cuidadosamente supervisados por un adulto.

⚠WARNING Ropa, cualquier otro objeto o material inflamable no debería estar colgado del aparato, colocado, cerca o debajo del aparato

⚠WARNING Cualquier pantalla o guardia eliminado para el servicio de un aparato debe ser reemplazado antes de operar el aparato.

⚠WARNING Mantenga a los niños lejos de este aparato. Este aparato contiene piezas pequeñas que pueden ser ingeridas por los niños, resultando en lesiones corporales graves o la muerte.

⚠WARNING Instalación y reparación debe ser realizado por un servicio calificado. El aparato debe ser inspeccionados antes de su utilización, y por lo menos anualmente por un servicio profesional. Una limpieza más frecuente puede ser Requiere como necesario. Es imperativo que el control compartimentos, quemadores y aire circulante pasadizos del aparato se mantiene limpio.

No quemar combustibles sólidos en esta chimenea de gas.

No encender el quemador antes de verter todo el quemador media (roca de lava o Fuego hielo) en el quemador. Los medios de comunicación deben estar uniformemente distribuida en el quemador.

Si durante la cocción inicial de fogata, por favor aléjate de el pozo de fuego durante 20 minutos como fuego media (roca de lava o Fuego ICE) puede pop y golpear a alguien en la cara o de los ojos

No encender o usar el pozo de fuego si el quemador media (roca de lava o fuego ICE) están mojadas. Garantizar los medios son completamente seca antes de encender el quemador como el calor intenso puede causar a los medios de comunicación a crack y pop .Siempre coloque la tapa sobre el aparato cuando no está en uso para evitar que el agua en contacto con los medios de comunicación.



INFORMACIÓN DE SEGURIDAD IMPORTANTE



Es seguro usar este producto para cualquier propósito, excepto como se describe en este documento, incluyendo, sin limitación, la cocina.

Precaución: el regulador de presión de gas propano suministrado con este aparato debe ser utilizado. Este regulador está fijado para una presión de salida de 11 pulgadas de columna de agua.

Este aparato de gas al aire libre no está destinado a ser instalado en vehículos de recreo y / o barcos.

Antes de cada uso de este aparato de gas, abra el LP (propano líquido) Tanque cajón y inspeccionar el LP Manguera. Si hay evidencia de desgaste excesivo o desgaste, o la manguera es cortada, debe sustituirse el aparato de gas se ponga en funcionamiento. Usar sólo la sustitución de manguera especificadas en este manual. Inspeccionar el quemador antes de cada uso del aparato. El quemador debe sustituirse que el aparato se ponga en funcionamiento si es evidente que el quemador está dañado

Mantener la manguera de suministro de combustible fuera de las superficies calientes.

Si usted tiene alguna pregunta con respecto a la utilización de esta unidad, o encontrar que tu pozo de fuego unidad necesita servicio, por favor póngase en contacto con Ashley Furniture Industries en el siguiente número.

1 (800) 477-2222 servicio al cliente.

INFORMACIÓN DE SEGURIDAD IMPORTANTE SOBRE GAS PROPANO (LP)

El cilindro de suministro de LP- Gas para uso con este aparato debe tener una capacidad de 20 lbs. Y debe estar equipado con un conector de tipo 1 y una OPD (protección contra sobrellenado dispositivo). Ver Figura 1.

El cilindro de suministro de LP- Gas para ser utilizado debe ser construido y marcados de conformidad con el pliego de condiciones para cilindros de gas LP, el Departamento de transporte (DOT) o el estándar nacional de Canadá, CAN/CSA-B339, cilindro, esfera y tubos para el transporte de mercancías peligrosas.

- Los cilindros deben ser almacenados al aire libre en un lugar bien ventilado, fuera del alcance de los niños. Desconectado cilindros roscados tapones de válvula debe tener bien instalado y no deben ser almacenados en un edificio, Garaje o cualquier otras áreas cerradas.
- El sistema de suministro del cilindro debe estar dispuesto para la extracción de vapor.
- El cilindro del sistema de suministro de vapor debe estar arreglado para la retirada.
- El cilindro utilizado debe incluir un collar para proteger la válvula del cilindro.
- El cilindro debe incluir el collar para proteger la válvula del cilindro.
- Este aparato debe ser usado solamente al aire libre en un lugar bien ventilado y no debe ser usado en un edificio, garaje o cualquier otro espacio cerrado.
- Este aparato sólo puede ser utilizado en un espacio libremente ventilado y no se utiliza en un edificio, garaje o cualquier otro espacio cerrado.
- Cuando no se utiliza este aparato, el gas debe estar apagado en el cilindro de suministro.
- Cuando este aparato no esté en uso, el gas debe estar apagado en el suministro del cilindro.
- El almacenamiento de este electrodoméstico en interiores sólo se permite si el cilindro está desconectado y retirado del aparato.
- El almacenamiento de este aparato en el interior solo es admisible si el cilindro esta desconectado y quitado del aparato.
- Los cilindros deben almacenarse al aire libre en un área bien ventilada fuera del alcance de los niños. Los cilindros desenchufados deben tener tapones de válvula roscados herméticamente instalados y no deben almacenarse en un edificio, garaje o cualquier otra área cerrada.

⚠ADVERTENCIA Los cilindros deben ser almacenados al aire libre en un lugar bien ventilado, fuera del alcance de los niños. Desconectado cilindros roscados tapones de válvula debe estar bien instalado y no debe estar almacenado en un edificio, Garaje o cualquier otra área cerrada. Almacenar los cilindros en interiores o en espacios poco ventilados al aire libre puede ocasionar lesiones corporales graves y / o la muerte. CSA (Asociación Canadiense de Estándares) certificada según ANSI Z21.97 • CSA2.41-2016 "Aparatos de Gas Decorativos al Aire Libre".

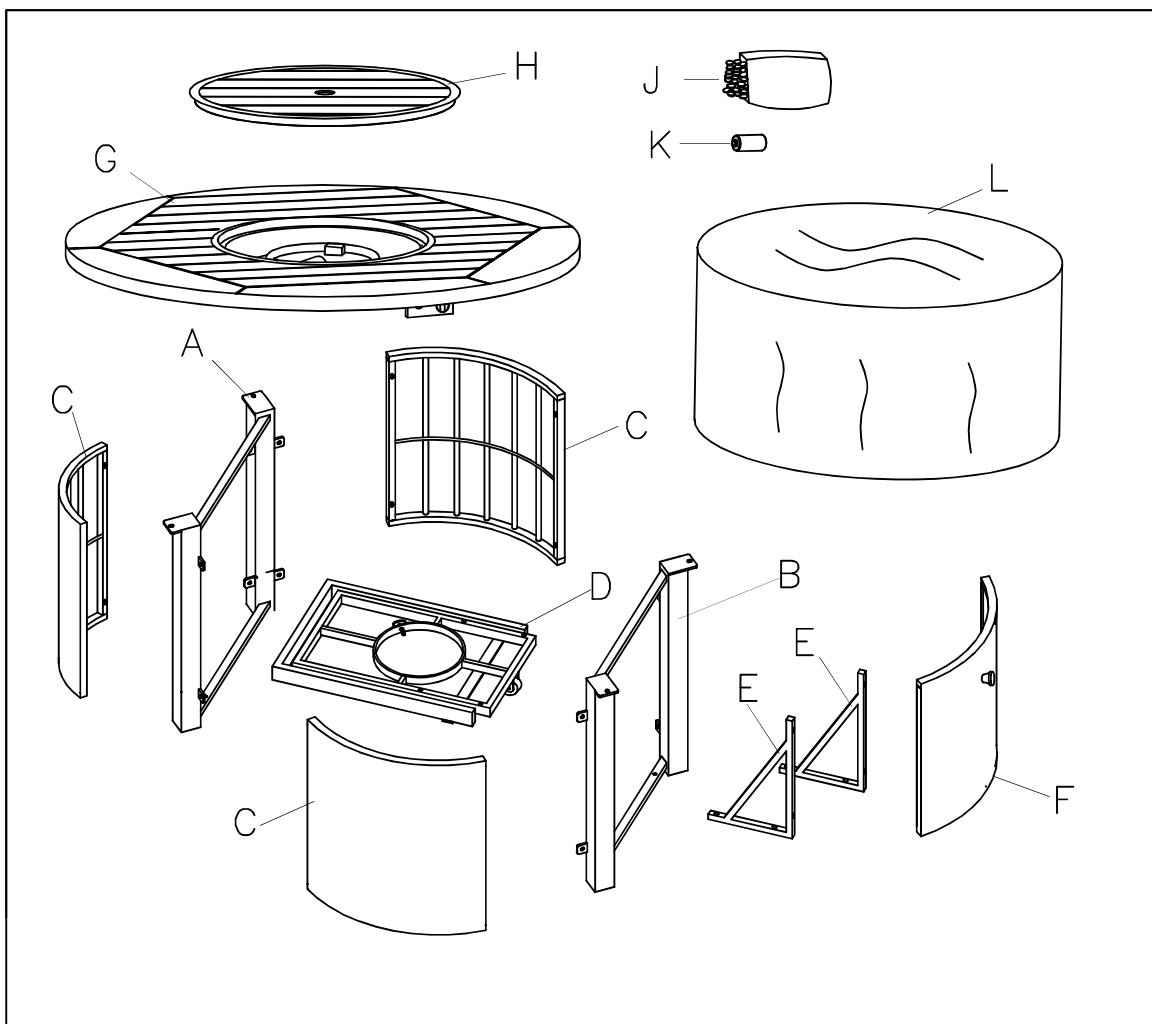


Figura 1

ESPECIFICACIONES

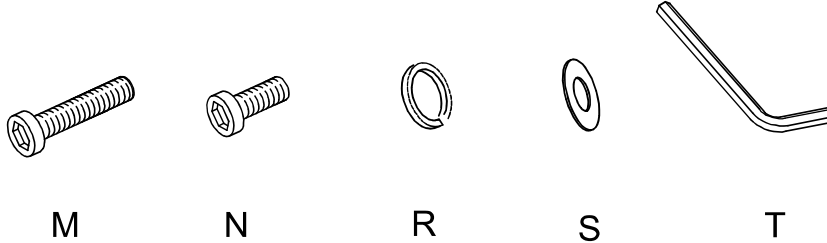
Entrada Presión del regulador de	55,000 BTU / hrBTU / 11 pulgadas de columna de agua	
Gas Natural Mínimo	7 pulgadas de columna de agua	
Autorizaciones a las superficies	Lados: 24in. / 61cm	Top: 72 in. / 183 cm

LISTA DE IDENTIFICACIÓN DE PLEZAS



Artículo	Descripción	Cant.
A	Marco Trasero	1PC
B	Marco Delantero	1PC
C	Panel Lateral	3PC
D	Soporte del tanque	1PC
E	Soporte Triangular	2PC
F	Panel de Puerta Frontal	1PC
G	Tablero superior	1PC
H	Tapa	1PC
J	Vidrio refractario (peso: 8,5 kg)	1 BOX
K	Pila (AAA)	1PC
L	Cubierta de PVC	1PC

La lista de accesorios



Artículo	Descripción	Cant.
M	Tornillo de 1/4"*30 mm	12 PCS
N	Tornillo de 1/4"*20 mm	16 PCS
R	Arandela de seguridad de 1/4"	28 PCS
S	Arandela plana de $\varnothing 6.2 * \varnothing 14$	28 PCS
T	Llave Allen de 4 mm	1 PCS

Antes de empezar a montar el producto, a fin de garantizar que todas las piezas antes de que es todo por ahora. El paquete de contenido con la lista de más parte de la lista de hardware y de contenido. Como parte de los daños que se pierdan o montaje, no comenzó inmediatamente al servicio.

Tiempo previsto convocar: 30 minutos

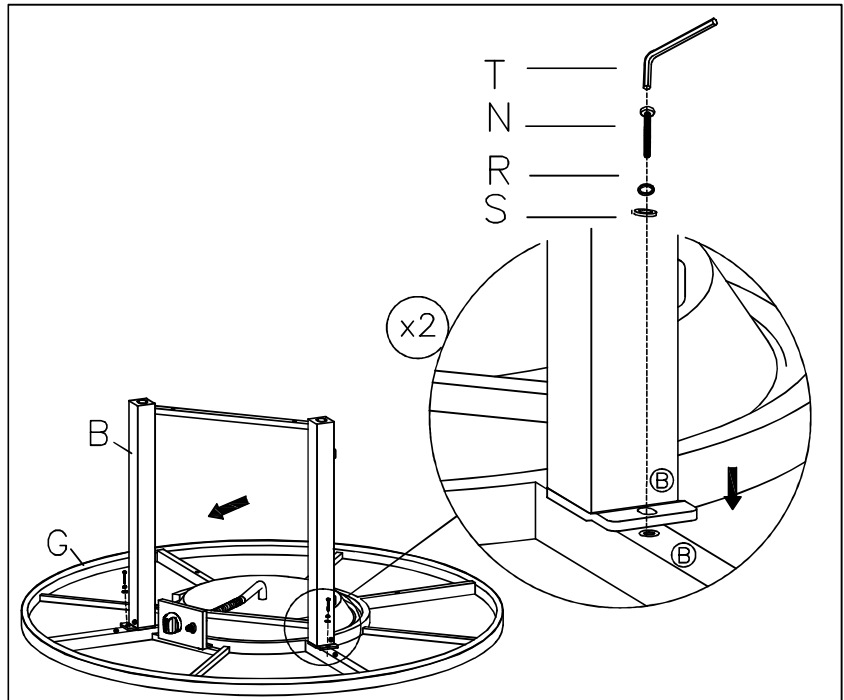
Las herramientas necesarias para ensamblar (incluida) : Llave Allen (T)

No coloque las partes de forma directa sobre el suelo, para evitar abolladuras y rayones.

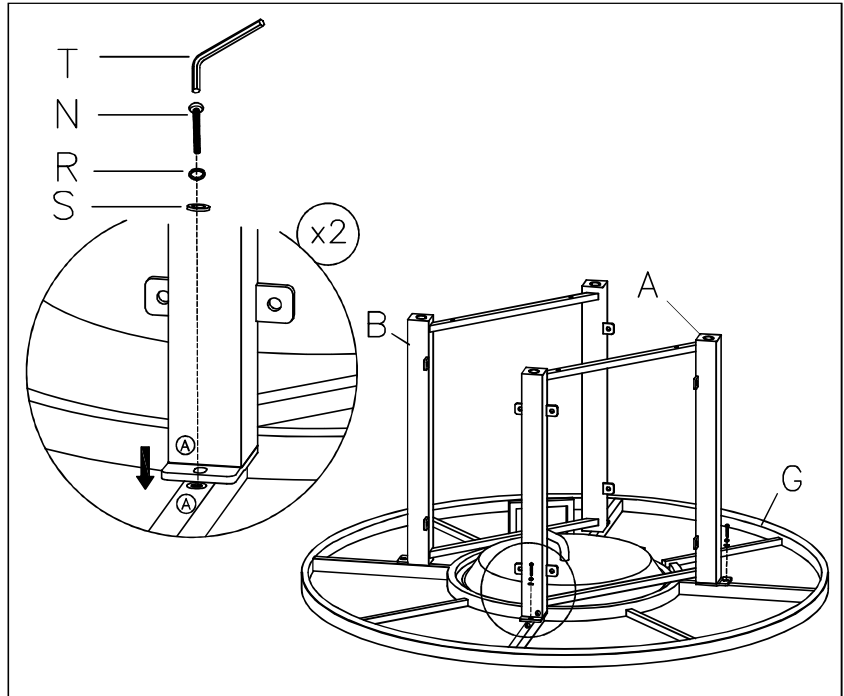
No ajuste los tornillos hasta que la mesa de contenedor de fuego se haya instalado por completo.

INSTALACIÓN

1. Coloque la Parte Superior de la Mesa (G) hacia abajo en el área de ensamblado. Empareje las etiquetas ② en el Marco Frontal (B) y las etiquetas ② en los tubos de soporte de la parte superior de la mesa, y luego coloque el Marco Frontal (B) a la parte superior de la mesa con 2 Tornillos de 1/4"*20mm (N), 2 Arandelas de Seguridad de 1/4" (R), y 2 Arandelas Planas de $\Phi 6,2*\Phi 14$ (S), usando una Llave Allen (T).

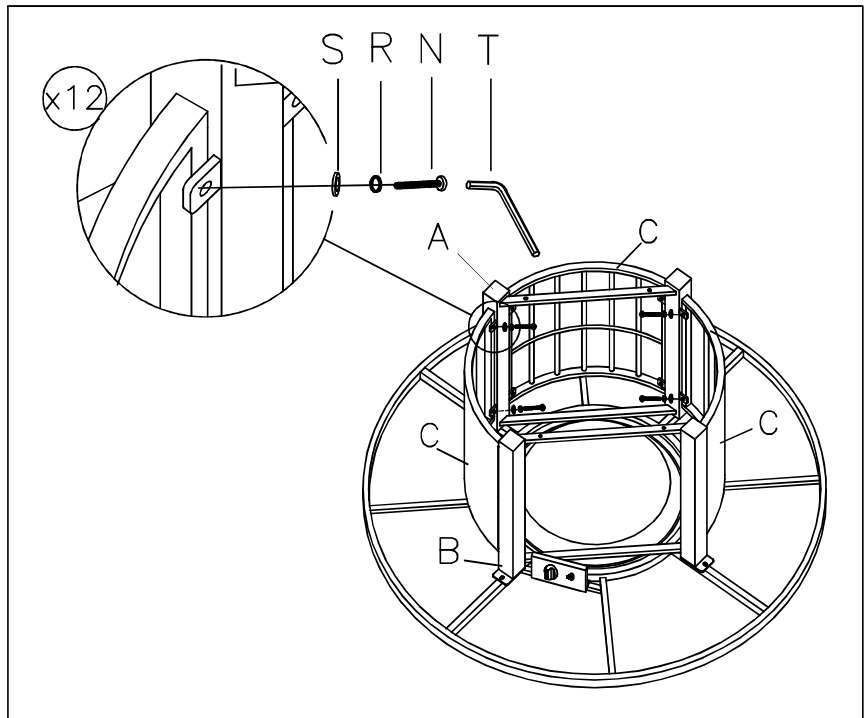


2. Empareje las etiquetas ① en el Marco Trasero (A) y las etiquetas ① en los tubos de soporte de la parte superior de la mesa, y luego coloque el Marco Trasero (A) a la parte superior de la mesa con 2 Tornillos de 1/4"*20mm (N), 2 Arandelas de Seguridad de 1/4" (R), y 2 Arandelas Planas de $\Phi 6,2*\Phi 14$ (S), usando una Llave Allen (T).

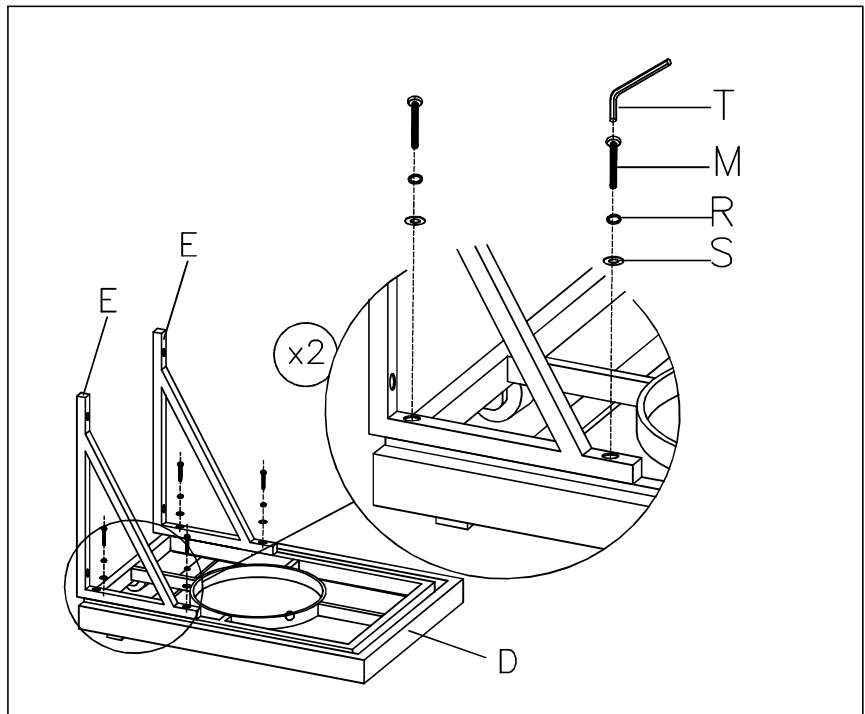


INSTALACIÓN

3. Coloque las tres piezas del Panel Lateral (C) en el Marco Trasero (A) y el Marco Frontal (B) con 12 Tornillos de 1/4"*20mm (N), 12 Arandelas de Seguridad de 1/4" (R) y 12 Arandelas Planas de $\Phi 6,2*\Phi 14$ (S), usando una Llave Allen (T).

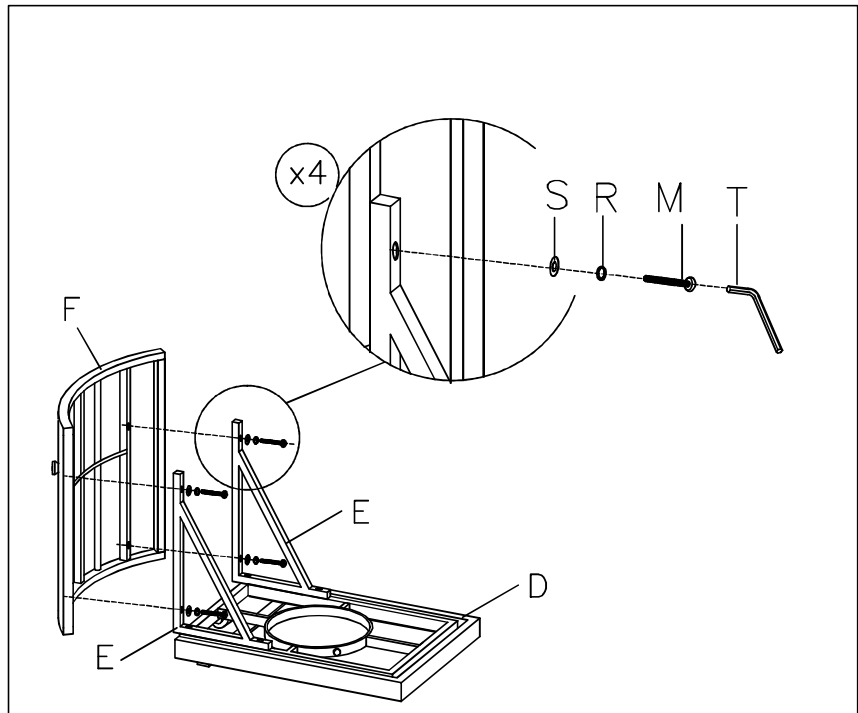


4. Coloque el Soporte Triangular (E) al Sujetador del Tanque (D) con 4 Tornillos de 1/4"*30mm (M), 4 Arandelas de Seguridad 1/4" (R), y 4 Arandelas Planas de $\Phi 6,2*\Phi 14$ (S) con una Llave Allen (T).

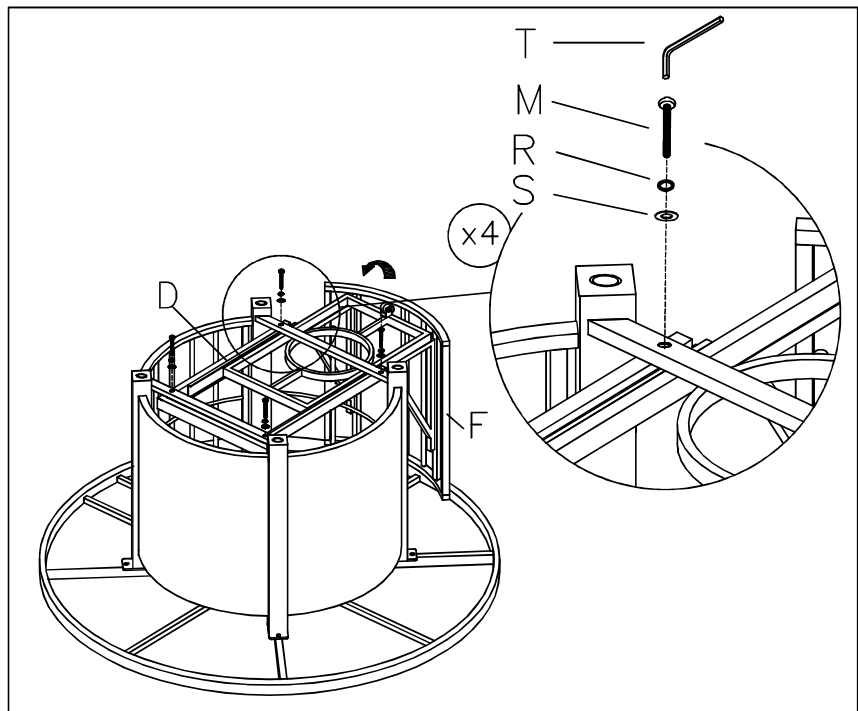


INSTALACIÓN

5. Coloque el Panel de la Puerta Frontal (F) al Soporte Triangular (E) con 4 Tornillos de 1/4"*30mm (M), 4 Arandelas de Seguridad 1/4" (R), y 4 Arandelas Planas de $\Phi 6,2*\Phi 14$ (S) con una Llave Allen (T).



6. Voltee el Sujetador del Tanque (D), coloque el Sujetador del Tanque (D) a las barras de suelo del Marco Frontal (B) y del Marco Trasero (A), con 4 Tornillos 1/4"*30mm (M), 4 Arandelas de Seguridad 1/4", y 4 Arandelas Planas de $\Phi 6,2*\Phi 14$ (S), usando una Llave Allen (T).



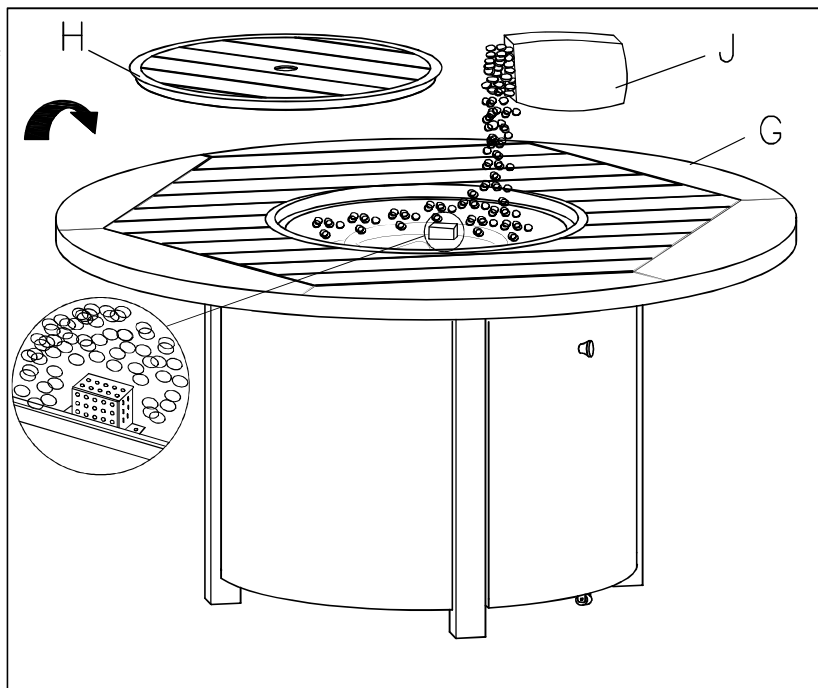
INSTALACIÓN

7. Se necesitan al menos dos adultos para girar el contenedor de fuego. Ajuste todos los tornillos. Establezca el contenedor de fuego ajustando la palanca de ajuste en la parte inferior de las patas. Vierta el vidrio de fuego en el cuenco del fuego.

PELIGRO

Para garantizar el funcionamiento correcto, la pantalla de este quemador no debe ser cubierta por los trozos de vidrio.

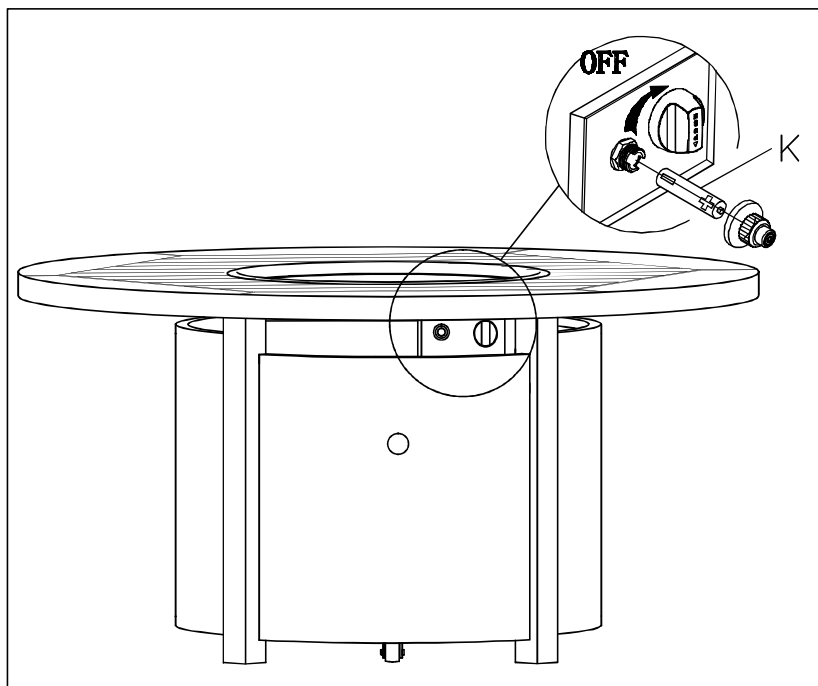
Cubra la Tapa (H) del cuenco de fuego.



8. Asegúrese de que la perilla de control está en la posición <<OFF>>.

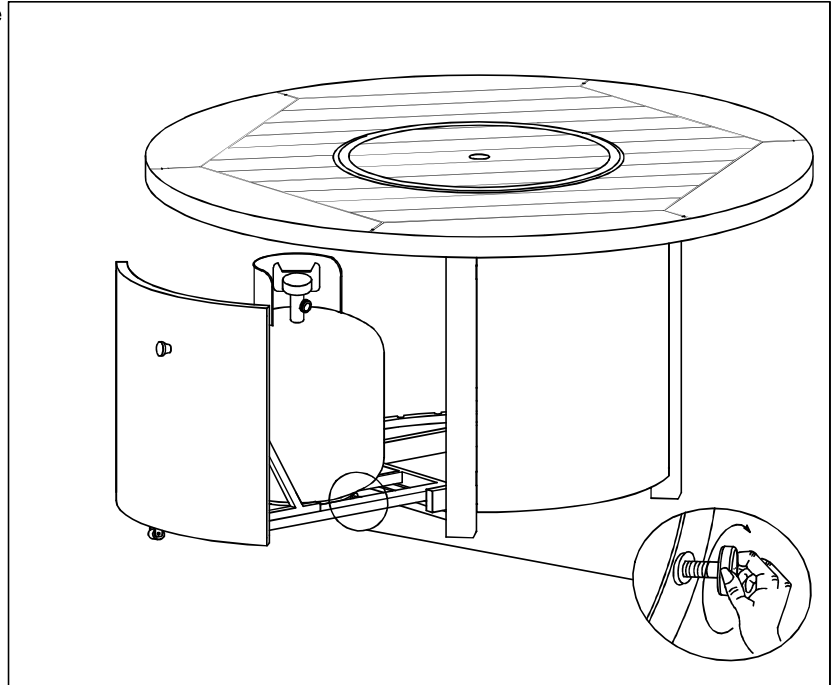
Destornille la tapa del pulsador del módulo de ignición ubicado en el panel de control para acceder al compartimento de la batería (K).

El módulo de ignición requiere una pila de tamaño AAA (K).

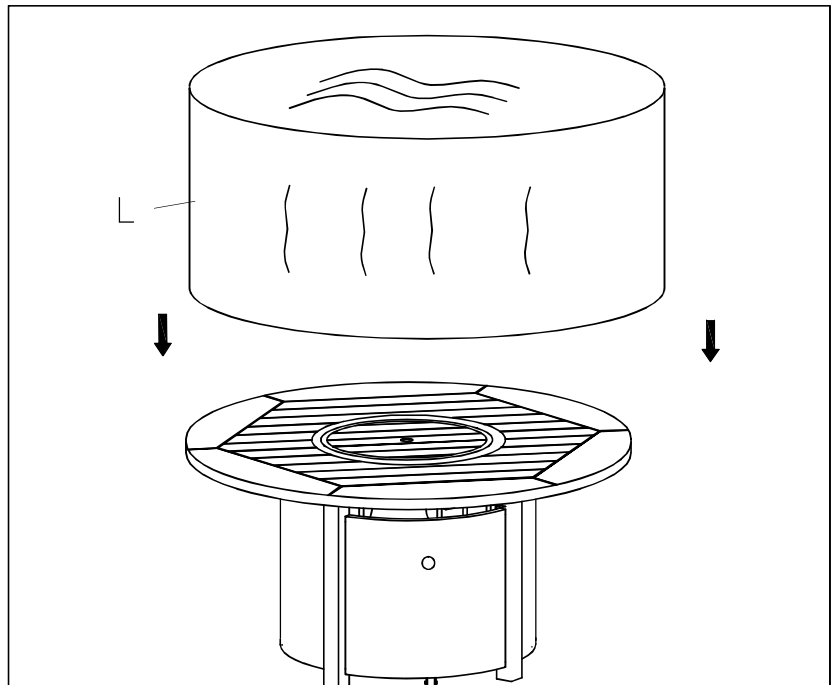


INSTALACIÓN

9. Abrir la puerta y colocar el tanque de gas propano (no incluido) en el soporte del tanque. Ajustar el tornillo pre-montado hacia la derecha para asegurarse que el tanque de propano está seguro. Cerrar la puerta después de que el tanque se conecta al regulador.

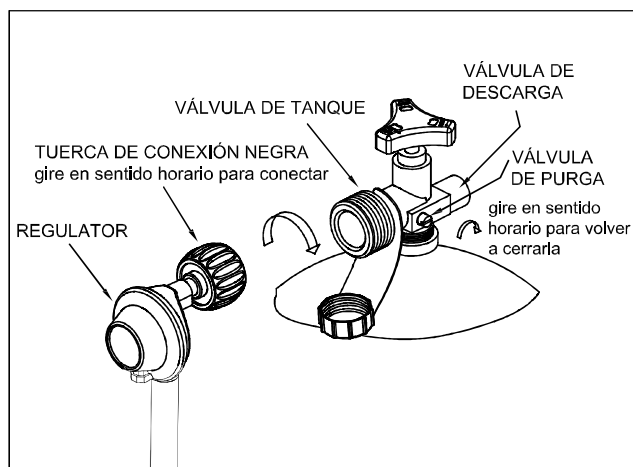


10. Cubre el contenedor del fuego con una cubierta de PVC (L) cuando no se encuentre en uso, para proteger la unidad de otros elementos. El contenedor del fuego debe estar **COMPLETAMENTE** frío luego de su uso para poder taparlo.



INSTALACIÓN

11. Gire la válvula del cilindro del tanque en sentido horario para cerrar el tanque de propano. Atornille el regulador ya montado a la válvula del cilindro girando la tuerca de acoplamiento del regulador en sentido horario. Asegúrese de que está firmemente ajustado y apriete las conexiones con la mano solamente. Abra la válvula del tanque. Aplique una solución de agua jabonosa a la conexión del regulador del tanque y a la conexión de la manguera de la válvula para comprobar que no haya fugas. Si se siguen formando pompas de jabón, quiere decir que hay una fuga. Si se encuentra una fuga, cierre la válvula del tanque y apriete todas las conexiones. **NO UTILICE NUNCA UNA LLAMA PARA COMPROBAR SI HAY FUGAS.**



Esta unidad puede modificarse para funcionar con gas natural. Si desea modificar la unidad, póngase en contacto con un representante de Ashley Furniture y solicite PA50-1 (se vende por separado).



CONVERSIÓN A GAS NATURAL



La conversión a gas natural debe realizarse solamente por su proveedor de gas natural o compañía de servicio. No es seguro que intente realizar la conversión usted mismo, y puede causar daños materiales, graves lesiones corporales o la muerte.



IMPORTANTE

GUARDE ESTAS INSTRUCCIONES



PELIGRO

Si huele a gas:

1. Cierre el suministro de gas al aparato.
2. Apague cualquier llama encendida.
3. Si el olor persiste, manténgase alejado del aparato y llame inmediatamente a su proveedor de gas o a los bomberos.



ADVERTENCIA

Si la información de este manual no se sigue totalmente, se puede provocar un incendio o una explosión, causando daños materiales, graves lesiones corporales o la muerte. Una instalación incorrecta, ajuste, reforma, reparación o mantenimiento pueden provocar lesiones o daños materiales. Lea detalladamente las instrucciones de instalación, funcionamiento y mantenimiento antes de instalar o reparar este equipo.



Antes de encender el aparato e intentar encenderlo, asegúrese de que el aparato esté afuera, en un área bien ventilada y libre de cualquier residuo, y no entre en contacto con personas, animales, materiales o estructuras ni cerca de ellas. El incumplimiento de las instrucciones anteriores puede resultar en daños a la propiedad, lesiones corporales graves o la muerte.



INSTRUCCIONES DE ILUMINACIÓN

A la luz

1. Leer las instrucciones antes de iluminación.
2. Perilla de control debe estar en la posición "OFF". Retire la cubierta del contenedor de fuego.
3. Conectar el cilindro de propano (ver manual), abrir la válvula del cilindro.
4. Empuje y gire la perilla de control en sentido antihorario para "baja".
5. Presione el botón de encendido para encender el quemador en repetidas ocasiones.
6. Suelte el mando de control después de 45 segundos.
7. Si la inflamación no ocurre en 45 segundos, empuje y gire la perilla de control del quemador a "off", espere 5 minutos, ventilador con papel de periódico o revista, y repita el procedimiento de iluminación.
8. Si no la luz encendido quemador, usar un partido largo o largo encendedor de butano.
9. Después de que se encienda el quemador, ajustar la llama que llama deseada con la perilla de control.

A extinguir

1. Girar y empujar la perilla de control de las agujas del reloj a la posición OFF.
2. Cerrar la válvula del cilindro, desconecte el cilindro de gas propano.
3. Deje que la unidad se enfríe antes de cubrirla.

MANTENIMIENTO

- Antes de realizar cualquier mantenimiento siempre desconecte el tanque de gas propano.
- Mantener la calefacción libre de materiales combustibles.
- Inspeccione visualmente el quemador en busca de obstrucciones y mantenga el contenedor del tanque libre y limpio de los desechos.
- Use un cepillo suave para deshacerse de la suciedad y manchas leves, luego el quemador es completamente enfriado. Limpie con un paño suave.
- Las duras condiciones climáticas pueden causar manchas difíciles, decoloración y posiblemente picaduras de óxido.
- Daño permanente puede ocurrir si entra en contacto con polvo o disolvente pintado o componentes de plástico en esta unidad de calefacción.
- Mantener la unidad de calefacción almacenada lejos de la luz directa del sol.
- Si el almacenamiento de esta unidad interior, desconecte el tanque de gas propano a partir de la válvula de gas.
- No usar fabricante aprobado o suministrados Piezas / accesorios puede resultar en un estado defectuoso y anular la garantía de esta unidad de calefacción.

GUÍA DE SOLUCIÓN DE PROBLEMAS

Se recomienda que usted contacte a un técnico calificado si usted cree que el aparato no funciona correctamente.

PROBLEMA	CAUSA	REMEDIOS
Quemador no enciende	No gas propano en el quemador	Comprobar que la válvula del tanque de gas está abierta. Gire la perilla de control para "a" y empujar la perilla de control. Asegúrese de tanque de gas propano.
	No hay chispa en electrodo	Revisa que la batería AAA es instalado con negativo (-) final primera y tiene un cargo. Compruebe que el cable está conectado al módulo de encendido. Compruebe que el electrodo no es agrietado o roto.
	La falta de oxígeno	Eliminar el exceso de roca de lava o fuego ICES de todo el encendido bien.
Quemador no permanecerá iluminado después de la iluminación	Termopar no está en llamas	Compruebe que la punta del termopar es uniforme con la parte superior del pozo de encendido. Quite cualquier roca de lava del pozo de encendido.
	Conexión de termopar en la válvula de control principal está suelta	Apriete la tuerca de termopar en la parte posterior de la válvula.
	No hay rocas de lava en el quemador	Cubrir el quemador con hielo Instrucciones.

REPLACEMENT PART DESCRIPTION FORM

MODEL #: P750-776

PART#	DESCRIPTION	USED ON:	MRP#			MATERIAL	QTY.	FACTORY USE ONLY!!	
								PACK	P/M
1	Wicker #1 (20 LF)	P750-776	R62433			PE	1	G	M
2	Wicker #2 (20 LF)	P750-776	R62434			PE	1	G	M
3	Handle(w/Bolt)	P750-776	R58747			Metal	1	G	P
4	Igniter Assembly	P750-776	R54157			Plastic	1	G	P
5	Control Knob	P750-776	R54158			Plastic	1	G	P
6	Tank Retainer Bolt	P750-776	R54160			Metal+Plastic	1	G	P
7	Knob(w/Bolt)	P750-776	R58748			Plastic	1	G	P
8	End Cap(w/Adjustable Foot)	P750-776	R54165			Metal+Plastic	4	G	P
9	Glass Beads(Weight: 8.5kg)	P750-776	R62435			Glass	1	K	P
10	Cover	P750-776	R62436			PVC	1	K	P
11	Hardware Pack	P750-776	R62437			1/4inx20mm Allen Bolt (16) 1/4inx30mm Allen Bolt (12) 1/4in Flat Washer(28) 1/4n Lock Washer (28) 4mm Allen Wrench (1)	1	G	P
12	Wheel(w/Bolt)	P750-776	R65865			Metal+Plastic	1	G	P

