

ASSEMBLY INSTRUCTIONS
COASTER FINE FURNITURE



Fine Furniture for every stage of life

315900Q(B1&B2)
Queen Bed

ITEM: 315900Q(B1&B2)



ASSEMBLY INSTRUCTIONS

ASSEMBLY TIPS:

1. Remove hardware from box and sort by size.
2. Please check to see that all hardware and parts are present prior to start of assembly.
3. Please follow attached instructions in the same sequence as numbered to assure fast & easy assembly.



WARNING!

1. Don't attempt to repair or modify parts that are broken or defective. Please contact the store immediately.
2. This product is for home use only and not intended for commercial establishments.



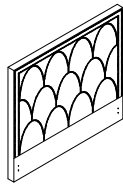
ASSEMBLY TIME

15 MINUTES

PARTS IDENTIFICATION

B1 (BOX 1)

A HEADBOARD PANEL



1PC

B HEADBOARD LEG



2PCS

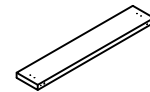
B2 (BOX 2)

C FOOTBOARD LEG



2PCS

D FOOTBOARD



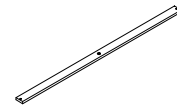
1PC

E BED RAIL



2PCS

F BED SLAT



4PCS

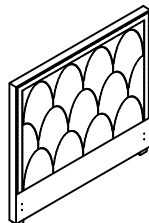
G BED SLAT SUPPORT WITH LEVELER



4PCS

HB

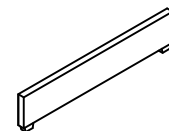
315900Q(B1)
FROM BOX1
HEADBOARD
COMPLETE



1PC

FB

315900Q(B2)
FROM BOX2
FOOTBOARD
COMPLETE



1PC

ITEM: 315900Q(B1&B2)



ASSEMBLY INSTRUCTIONS

ASSEMBLY TIPS:

1. Remove hardware from box and sort by size.
2. Please check to see that all hardware and parts are present prior to start of assembly.
3. Please follow attached instructions in the same sequence as numbered to assure fast & easy assembly.







WARNING!



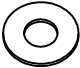



1. Don't attempt to repair or modify parts that are broken or defective. Please contact the store immediately.
2. This product is for home use only and not intended for commercial establishments.

HARDWARE IDENTIFICATION

Z-B1(BOX1)-HARDWARE PACK IS LOCATED IN 315900Q(B1)

1	LONG BOLT (Ø5/16"x65mm-RBW)		2PCS	2	FLAT WASHER (Ø5/16"-RBW)		2PCS
3	LOCK WASHER (Ø5/16"-RBW)		2PCS	4	ALLEN WRENCH (4MM-RBW)		1PC

Z-B2(BOX2)-HARDWARE PACK IS LOCATED IN 315900Q(B2)

5	LONG BOLT (Ø5/16"x65mm-RBW)		2PCS	6	SHORT BOLT (Ø5/16"x32mm-RBW)		8PCS
7	FLAT WASHER (Ø5/16"-RBW)		10PCS	8	LOCK WASHER (Ø5/16"-RBW)		10PCS
9	ALLEN WRENCH (4MM-RBW)		1PC	10	PAN HEAD SCREW (M4x38mm-RBW)		8PCS

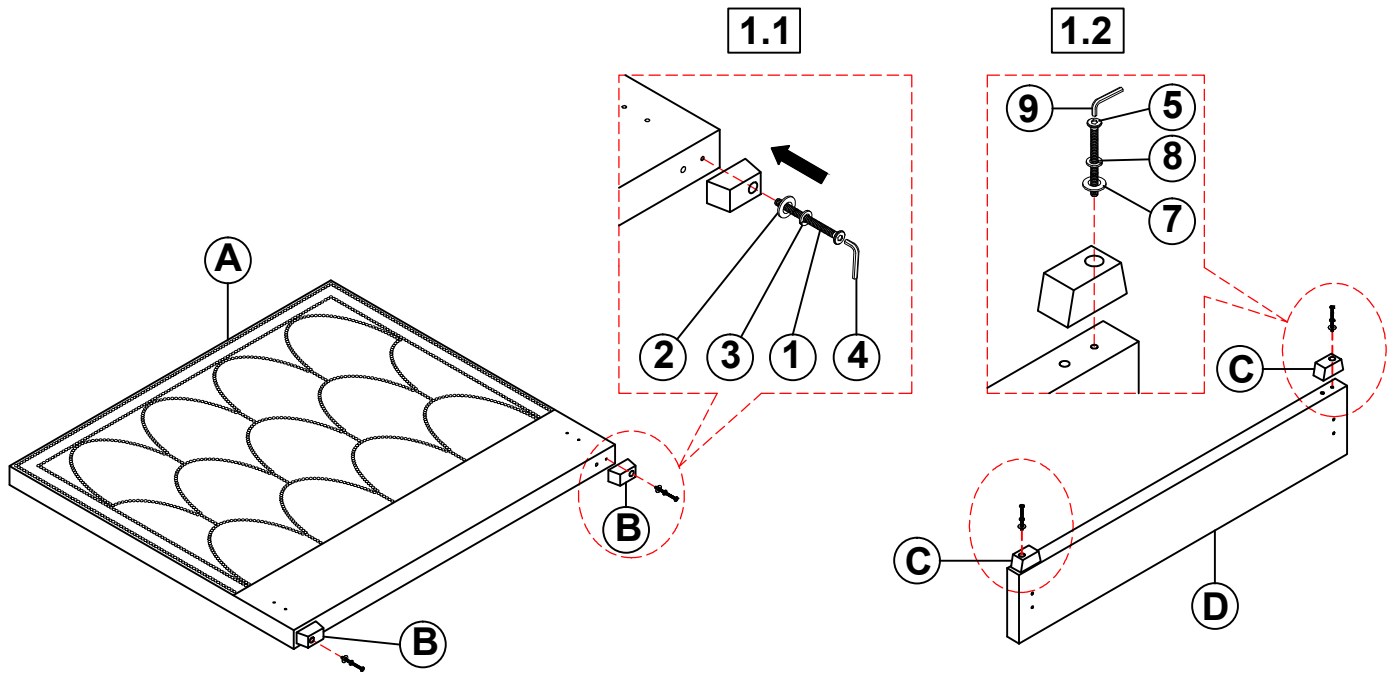
NOTE:

Phillips head screw driver is required in the assembly process; however, manufacturer does not provide this item.

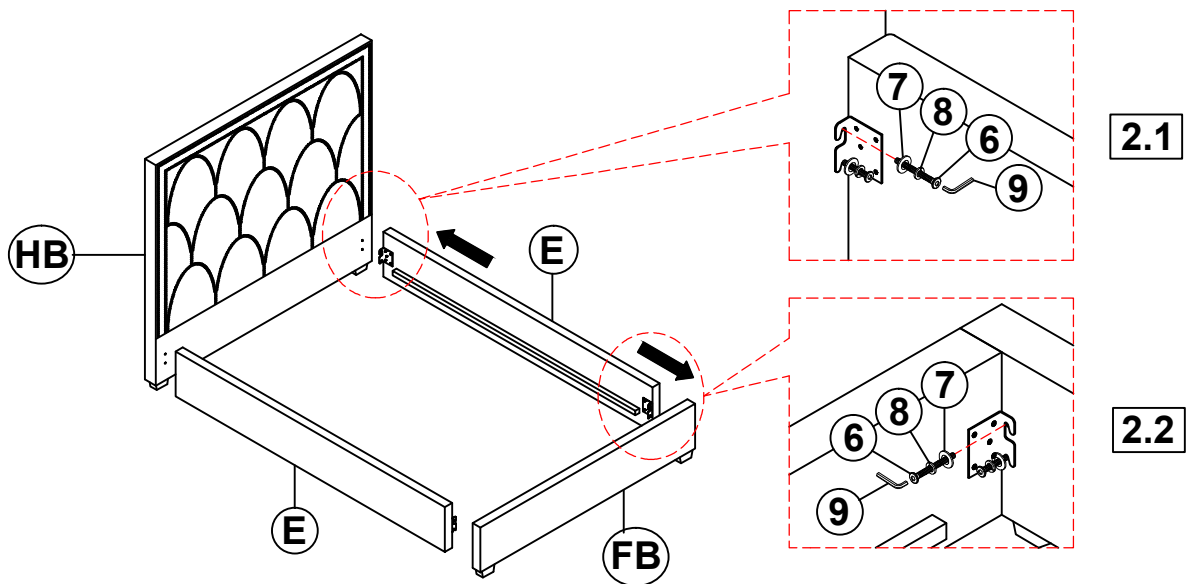
ITEM: 315900Q(B1&B2)

ASSEMBLY INSTRUCTIONS

STEP 1



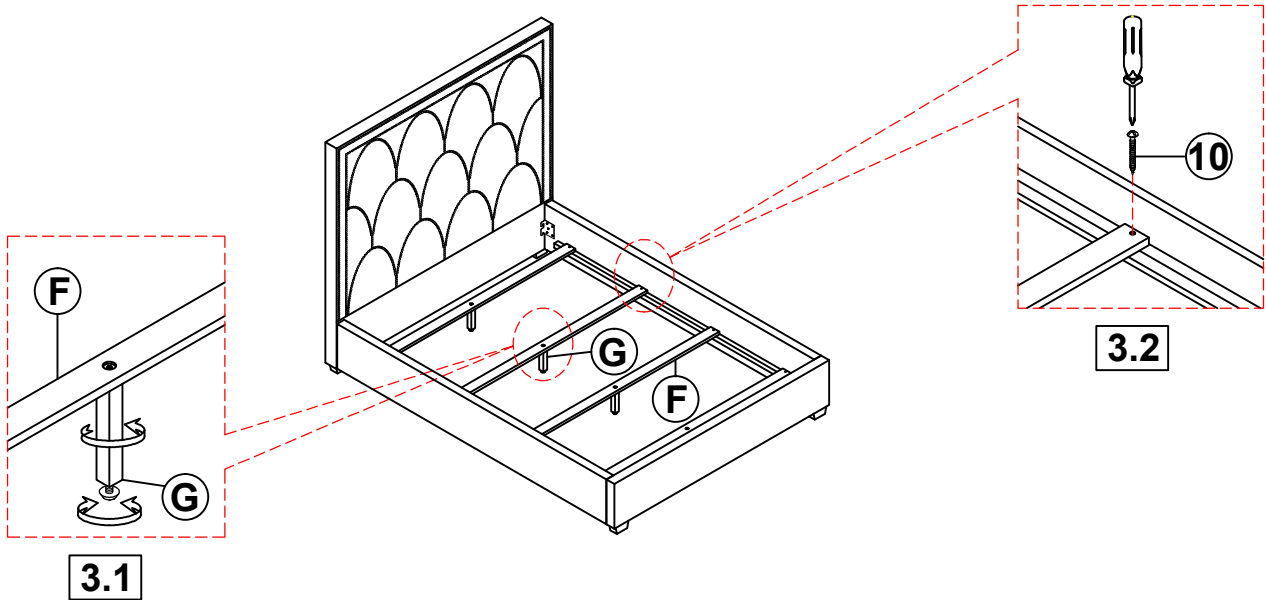
STEP 2



ITEM: 315900Q(B1&B2)

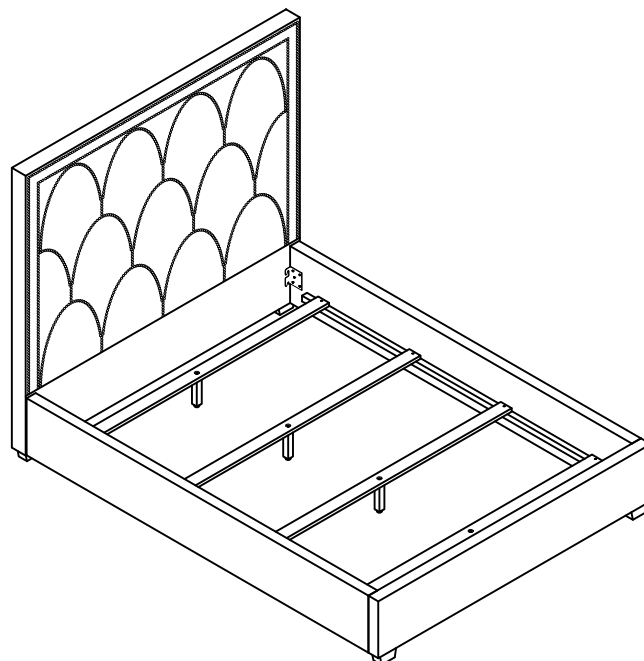
ASSEMBLY INSTRUCTIONS

STEP 3



STEP 4

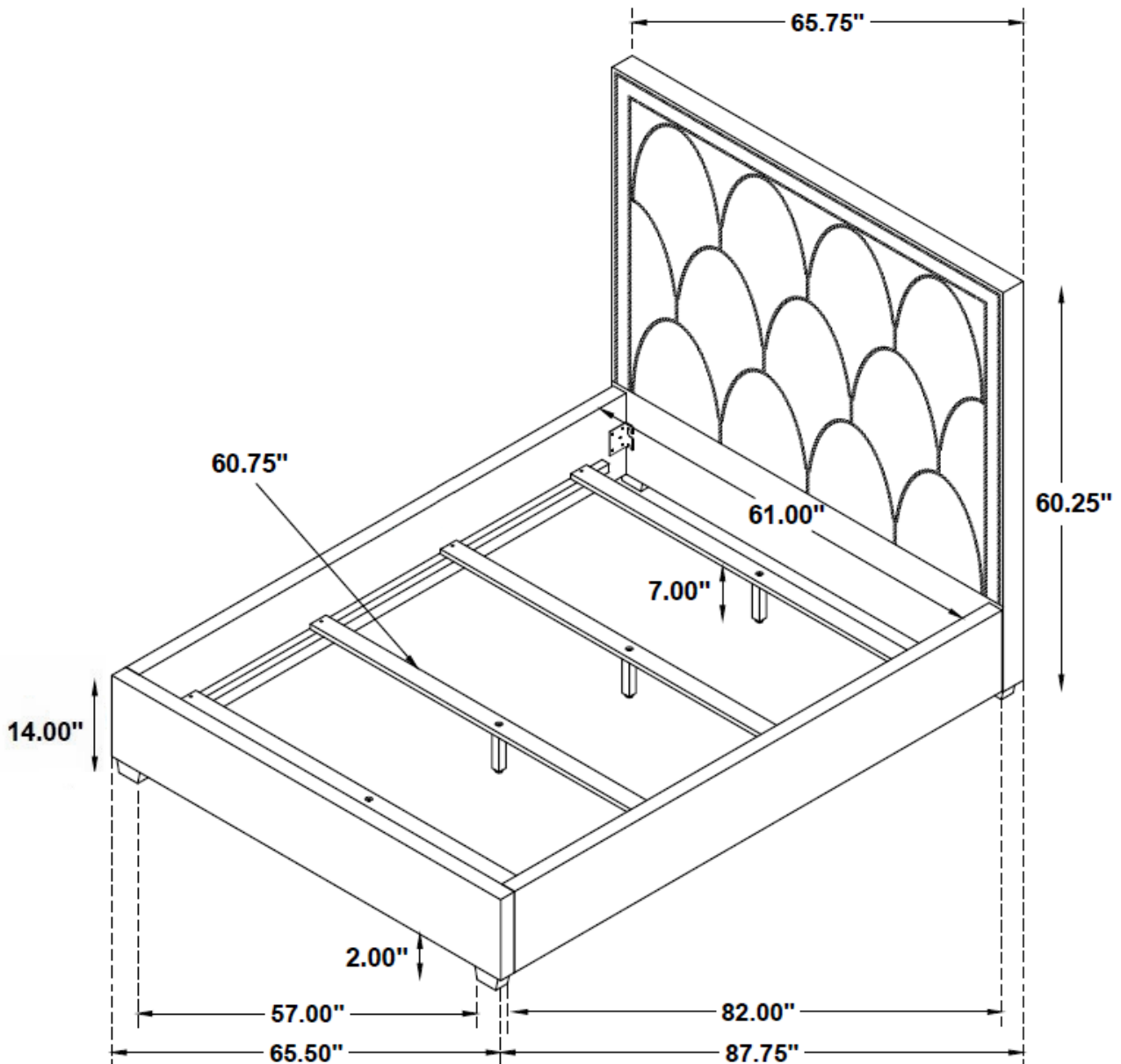
COMPLETE



ITEM: 315900Q(B1&B2)



Inner Size : 61.00"W X 81.50"D



Note : Dimension tolerance $\pm 5\%$