

ASSEMBLY INSTRUCTIONS
COASTER FINE FURNITURE



Fine Furniture for every stage of life

223126
Bench

ITEM: 223126



ASSEMBLY INSTRUCTIONS

ASSEMBLY TIPS:

1. Remove hardware from box and sort by size.
2. Please check to see that all hardware and parts are present prior to start of assembly.
3. Please follow attached instruction in the same sequence as numbered to assure fast and easy assembly.



WARNING !

1. Don't attempt to repair or modify parts that are broken or defective. Please contact the store immediately.
2. This product is for home use only and not intended for commercial establishment.



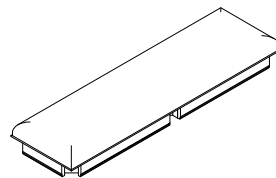
ASSEMBLY TIME

10 MINUTES

PARTS IDENTIFICATION

A

SEAT



1PC

B

LEG



4PCS

C

CENTER LEG

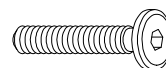


2PCS

HARDWARE IDENTIFICATION

1

BOLT
(M8 x 60mm - BLK)



12PCS

2

LOCK WASHER
(M8 - BLK)



12PCS

3

FLAT WASHER
(M8 - BLK)



12PCS

4

ALLEN WRENCH
(M5 - BLK)

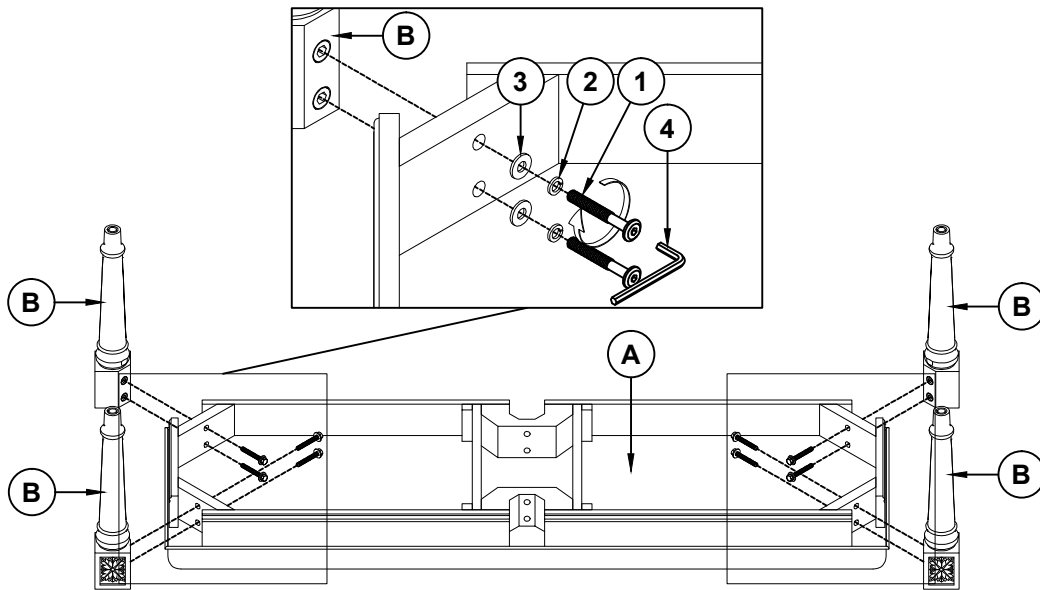


1PC

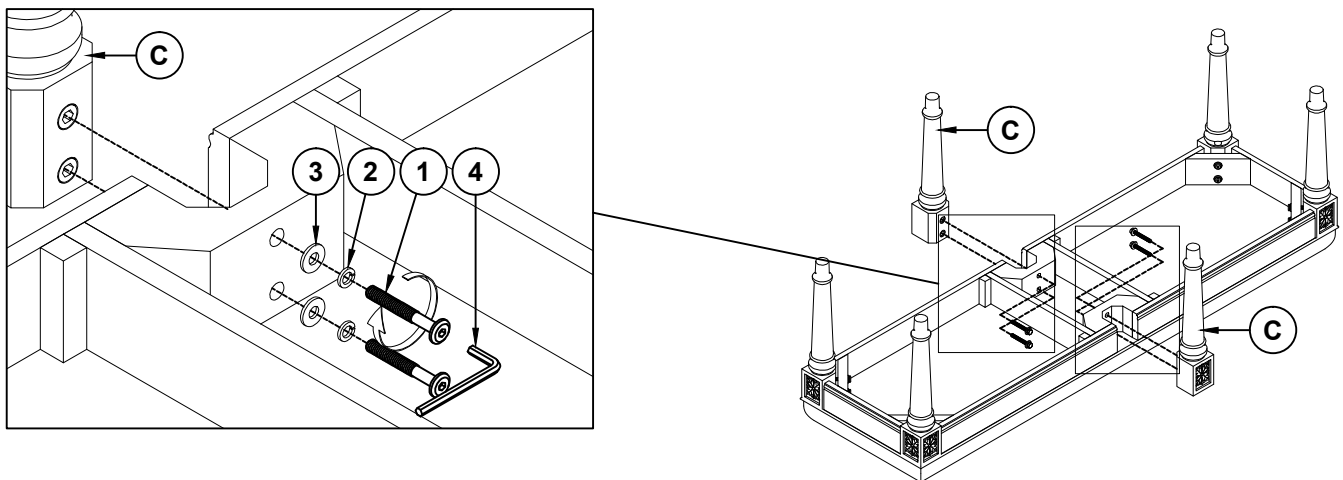
ITEM: 223126

ASSEMBLY INSTRUCTIONS

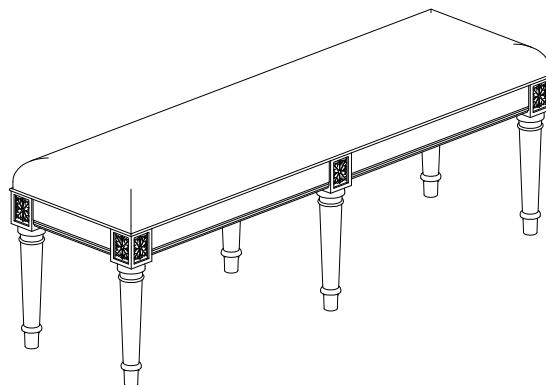
STEP 1



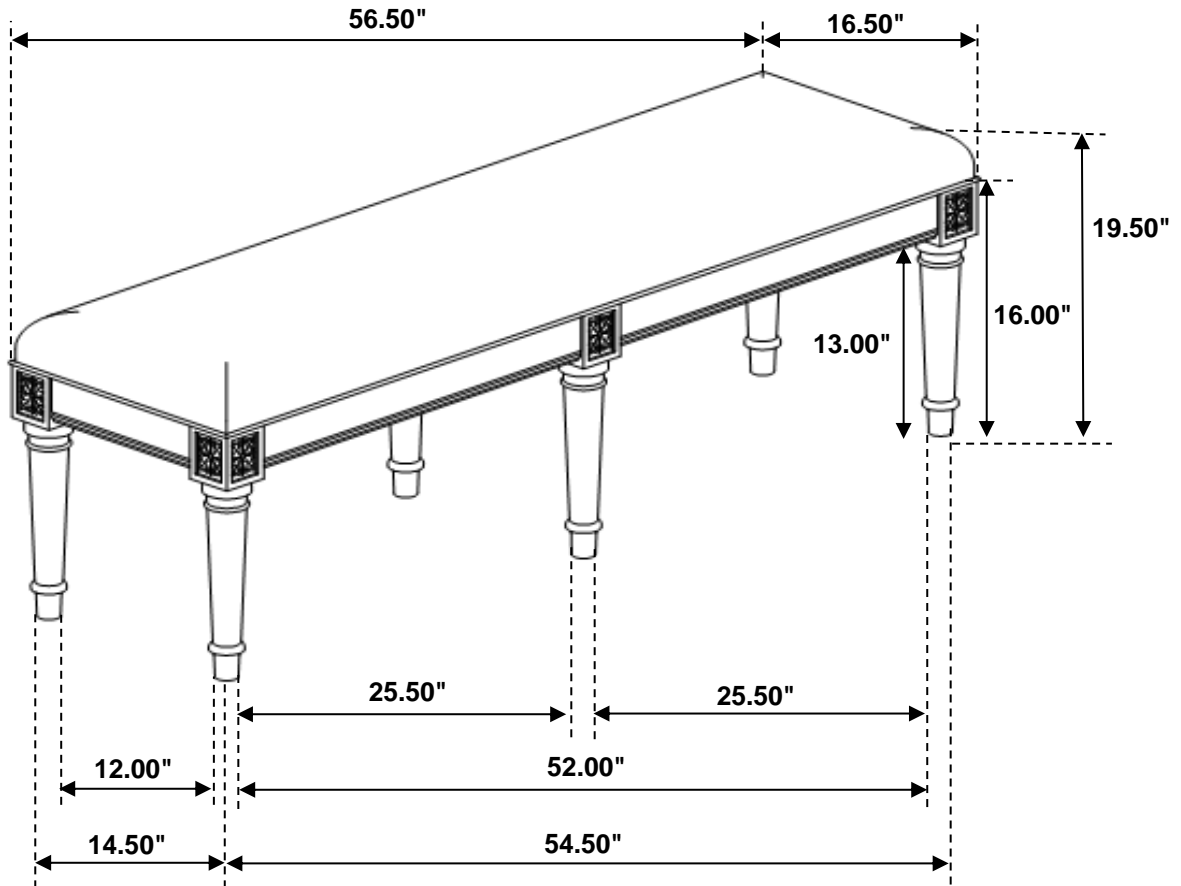
STEP 2



STEP 3 COMPLETE



ITEM: 223126



Note : Dimension tolerance $\pm 5\%$