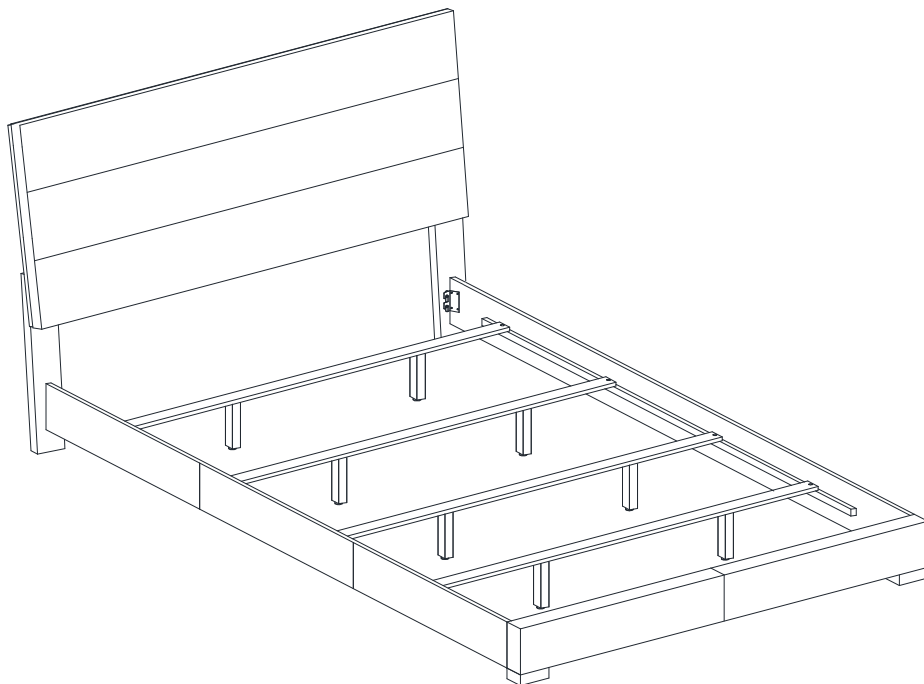


ASSEMBLY INSTRUCTIONS
COASTER FINE FURNITURE



Fine Furniture for every stage of life

203501KE (B1&B2)
Eastern King Bed

ITEM: 203501KE (B1&B2)



ASSEMBLY INSTRUCTIONS

ASSEMBLY TIPS:

1. Remove hardware from box and sort by size.
2. Please check to see that all hardware and parts are present prior to start of assembly.
3. Please follow attached instructions in the same sequence as numbered to assure fast & easy assembly.



WARNING!

1. Don't attempt to repair or modify parts that are broken or defective. Please contact the store immediately.
2. This product is for home use only and not intended for commercial establishments.



ASSEMBLY TIME

30 MINUTES

PARTS IDENTIFICATION

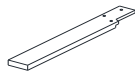
B1 (BOX 1)

A HEADBOARD PANEL



1PC

B RIGHT HEADBOARD LEG



1PC

C LEFT HEADBOARD LEG



1PC

B2 (BOX 2)

D BED SLAT



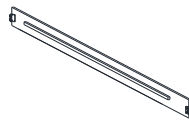
4PCS

E BED SLAT SUPPORT WITH LEVELER



8PCS

F BED RAIL



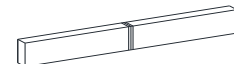
2PCS

G FOOTBOARD LEG



2PCS

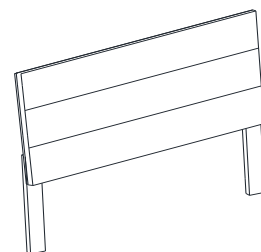
H FOOTBOARD PANEL



1PC

HB

203501KE (B1)
FROM BOX 1
HEADBOARD
COMPLETE



1PC

NOTE:

Phillips head screw driver is required in the assembly process; however, manufacturer does not provide this item.

ITEM: 203501KE (B1&B2)



ASSEMBLY INSTRUCTIONS

ASSEMBLY TIPS:

1. Remove hardware from box and sort by size.
2. Please check to see that all hardware and parts are present prior to start of assembly.
3. Please follow attached instructions in the same sequence as numbered to assure fast & easy assembly.




WARNING!

1. Don't attempt to repair or modify parts that are broken or defective. Please contact the store immediately.
2. This product is for home use only and not intended for commercial establishments.

HARDWARE IDENTIFICATION

Z-B1 (BOX 1) - HARDWARE PACK IS LOCATED IN 203501KE (B1)


1 **BOLT**
(M6 x 30mm - BLK)  6PCS


2 **SMALL ALLEN WRENCH**
(M4 x 60MM - BLK)  1PC

3 **FLAT WASHER**
(1/4" X 13mm - BLK)  6PCS


4 **LOCK WASHER**
(1/4" - BLK)  6PCS

Z-B2 (BOX 2) - HARDWARE PACK IS LOCATED IN 203501KE (B2)

5 **SHORT FLAT HEAD SCREW**
(M4 x 32mm - RBW)  8PCS

6 **LONG FLAT HEAD SCREW**
(M4 x 50mm - RBW)  6PCS

7 **BOLT**
(M4 x 40mm - BLK)  8PCS

8 **SMALL ALLEN WRENCH**
(M4 x 60MM - BLK)  1PC

9 **BIG ALLEN WRENCH**
(M5 x 65MM - BLK)  1PC

NOTE:

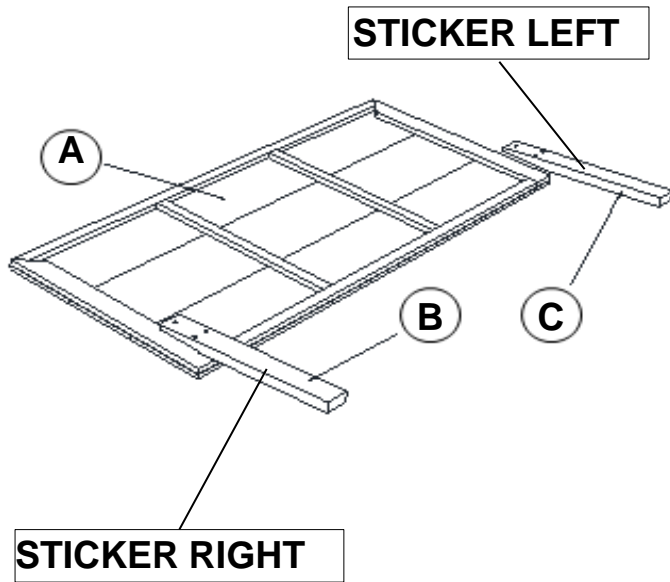
Phillips head screw driver is required in the assembly process; however, manufacturer does not provide this item.

ITEM: 203501KE (B1&B2)

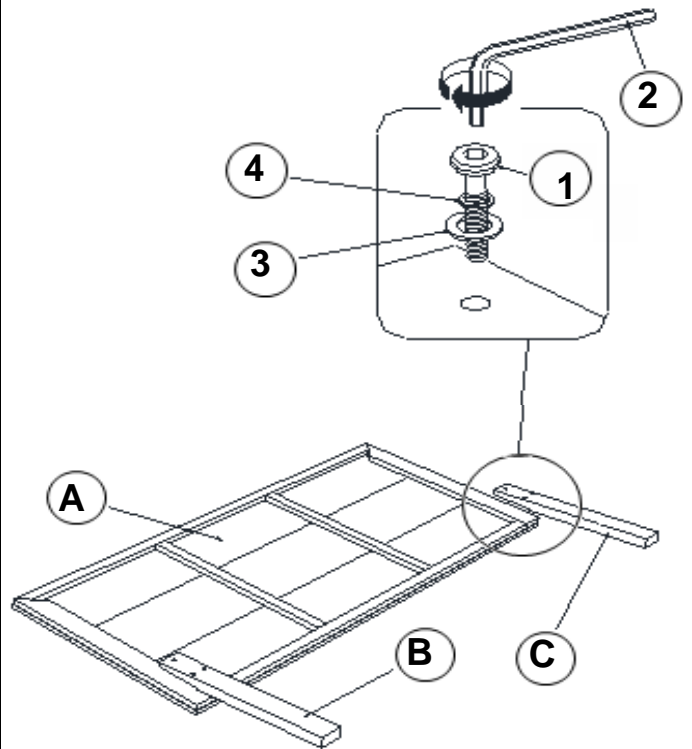


ASSEMBLY INSTRUCTIONS

STEP 1

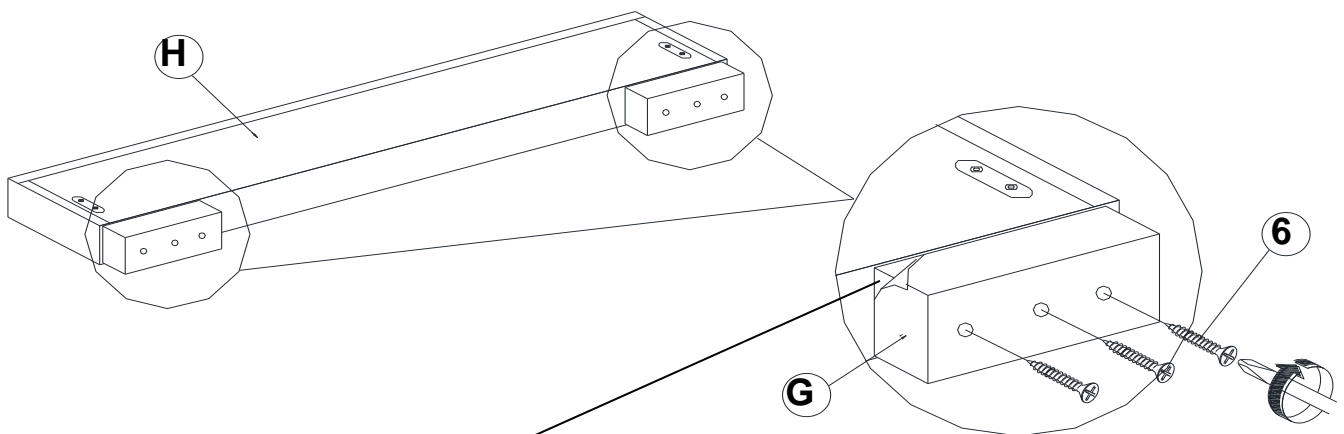


STEP 2



IF PURCHASE HEADBOARD ONLY, SKIP BELOW STEPS

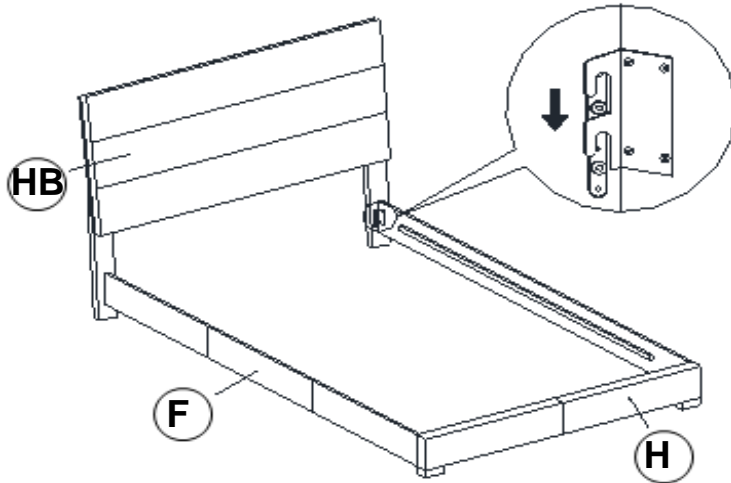
STEP 3



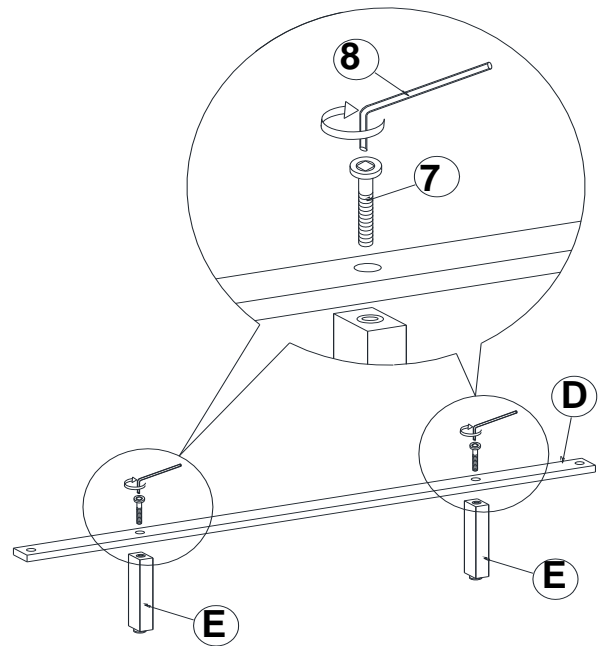
PLEASE REMOVE THE PROTECTIVE FILM BEFORE ASSEMBLY

ASSEMBLY INSTRUCTIONS

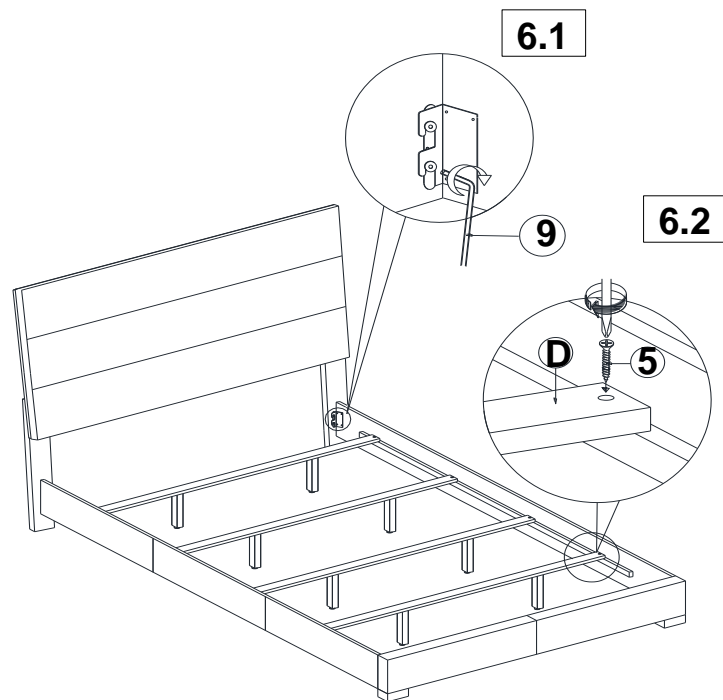
STEP 4



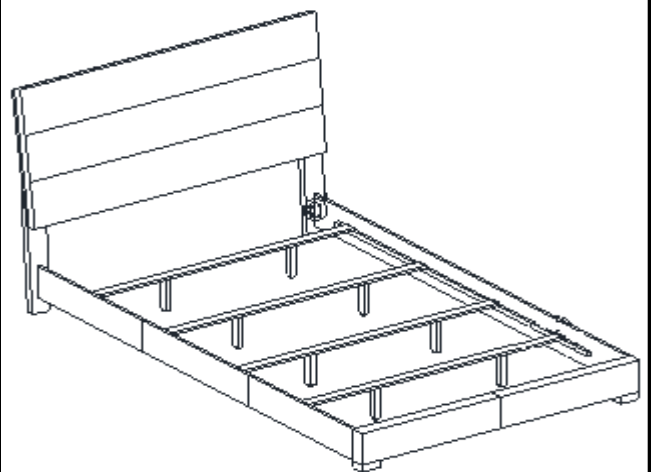
STEP 5



STEP 6



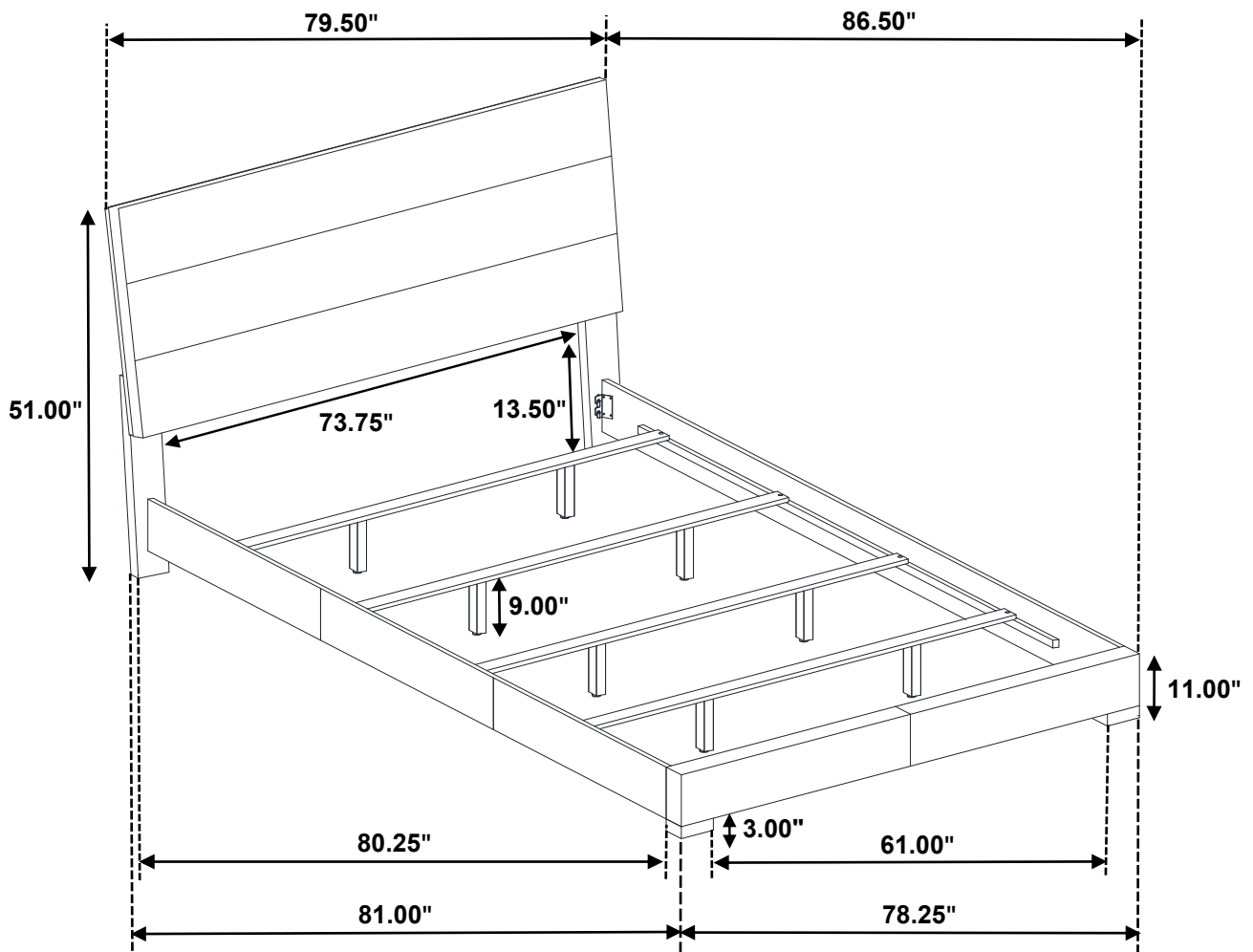
STEP 7
COMPLETE



ITEM: 203501KE (B1&B2)



Inner Size : 76.75"W X 80.25"D



Note : Dimension tolerance $\pm 5\%$