

ASSEMBLY INSTRUCTIONS

MODEL #

CM-AC6140BG

Questions?

GIVE US CALL: 1-888-980-5122
MON-FRI 8:30AM - 5:30PM (PST)

TOOLS REQUIRED



Allen Wrench

(Included)



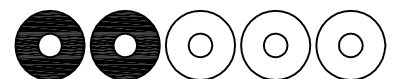
Phillips
Screwdriver

(Not Included)



2 - People
Recommended

ASSEMBLY RATING



EASY —————> DIFFICULT

The Assembly Rating is a 5-point system showing the level of effort needed to assemble a specific product.




FOA Intro

Thank you for your purchase!


We hope you enjoy this new addition to your home for many years to come.

Our commitment to providing quality products does not simply end when you purchase our product. We fully stand behind our products from start to finish. Our customer service department is available Monday – Friday 8:30 AM – 5:30 PM Pacific and can help with assembly questions as well as, if necessary, replacing damaged or missing parts. To help expedite our service, please have these assembly instructions readily available, along with your order receipt.

 **Consumer Hotline**
Toll-Free 1-888-980-5122

 **WEBSITE**
www.foagroup.com

    foagroup

 **Monday to Friday**
8:30AM- 5:30PM (PST)

 **E-MAIL**
cs.ec@foagroup.com

 FurnitureOfAmerica

CHECK BEFORE STARTING

Are you missing anything?

Double-check all parts, hardware and accessories listed on Page 6 are accounted for.

Should we send any replacements?

Are there any irregularities or flaws in the parts? We can send replacements!

Check out our Quick Tips!

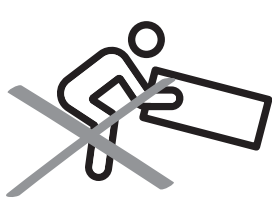
We recommend reviewing the pre-assembly handouts. Even experts need a refresher now and then!

Prep Time!

Please review the assembly instructions and all diagrams prior to assembling. Arrange parts as recommended on Page 7 and group identical hardware together to make assembling easier.

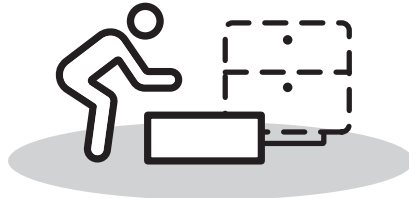
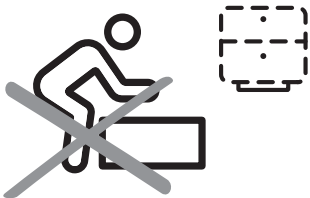
PRE ASSEMBLY INTRODUCTION

We understand building ready-to-assemble furniture can be a challenging experience for some. To help avoid confusion, we have provided some helpful tips that may speed up the process.



Teamwork

ALWAYS have at least two people to help with transporting and assembling the product to avoid potential injury and/or damage.



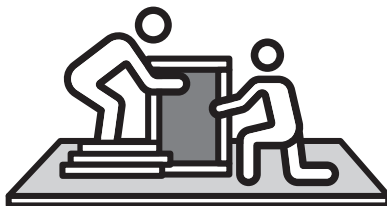
Suitable Location

Assembling near the area of the intended location is highly recommended.



Sufficient Space

Make sure you have enough space to move around during the assembly.



Avoid Scratches

Use cardboard, blankets or a carpeted area while assembling furniture to prevent scratches.



Flat Surface

Make sure the furniture rests on a flat and level surface with each leg evenly touching the floor.

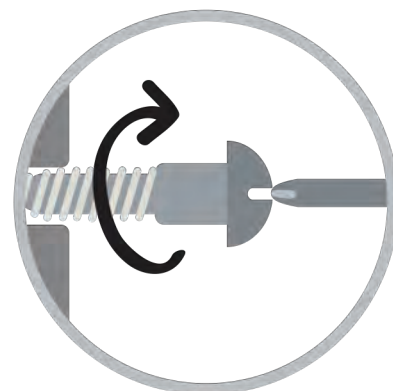
ASSEMBLY AND CARE ADVICE



FAILURE TO FOLLOW THE GUIDELINES BELOW MAY RESULT IN INJURY AND/OR PROPERTY DAMAGE.



Position each part correctly and insert screws or bolts into their respective holes.



Turn clockwise to tighten and only tighten when step is completed or when instructed to do so.



Use the appropriate hand tools or power tools for assembly. Select steps, such as tightening screws and/or bolts, may require hand tools to avoid causing damage during assembly.



Save the instructions and store any supplied tools for later maintenance.



After two weeks, check and tighten any loose hardware and repeat again every six months thereafter.

IT IS THE USER'S RESPONSIBILITY TO MAINTAIN THE FURNITURE. THE HARDWARE MAY LOOSEN OVER TIME AND MAY CAUSE THE FURNITURE TO BE WOBBLY AND UNABLE TO SUPPORT ITS INTENDED WEIGHT CAPACITY. THIS MAY LEAD TO COLLAPSE AND MAY CAUSE SERIOUS INJURY.

ACCENT CHAIR

CM-AC6140BG



- Please keep instructions for future reference.
- Check the quantity and irregularity of parts and hardware before you start.



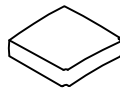
PARTS

#1 1pc



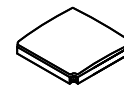
Chair Back

#2 1pc



Seat Cushion

#3 1pc



Seat Frame

#4 1pc



Left Arm

#5 1pc



Right Arm

#6 1pc



Back cushion

HARDWARE

#A 1pc



Allen Wrench 5/16"

#B 4pcs



Bolt Ø5/16"*3-1/4"

#C 4pcs



Bolt Ø5/16"*2-1/4"

#D 2pcs



Bolt Ø5/16"*1-3/4"

#E 10pcs



Lock Washer-Big Ø5/16"

#F 10pcs



Flat Washer-Big Ø5/16"*22mm

#G 1pc



Allen Wrench 1/4"

#H 2pcs



Bolt Ø1/4"*1-3/4"

#I 2pcs



Lock Washer-Big Ø1/4"

#J 2pcs



Wood CAP 14*7mm

#K 2pcs



Wood Dowel 10*30mm

ASSEMBLY INSTRUCTIONS

1

Part #1 x 1pc

Part #3 x 1pc

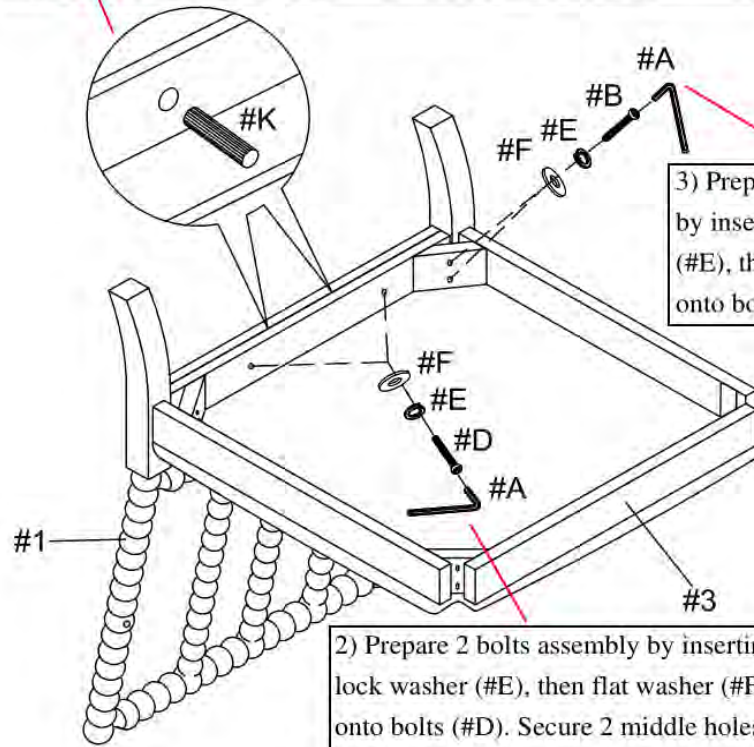
Hardware #B x 4 pcs

Hardware #D x 2 pcs

Hardware #E x 4 pcs

Hardware #F x 4 pcs

1) Insert wood dowels (#K) to the holes of the seat frame (#3), then align the seat frame (#3) to the holes of the chair back (#1).



3) Prepare 4 bolts assembly by inserting lock washer (#E), then flat washer (#F) onto bolts (#B).

2) Prepare 2 bolts assembly by inserting lock washer (#E), then flat washer (#F) onto bolts (#D). Secure 2 middle holes with bolts (#D).

2

Part #2 x 1pc

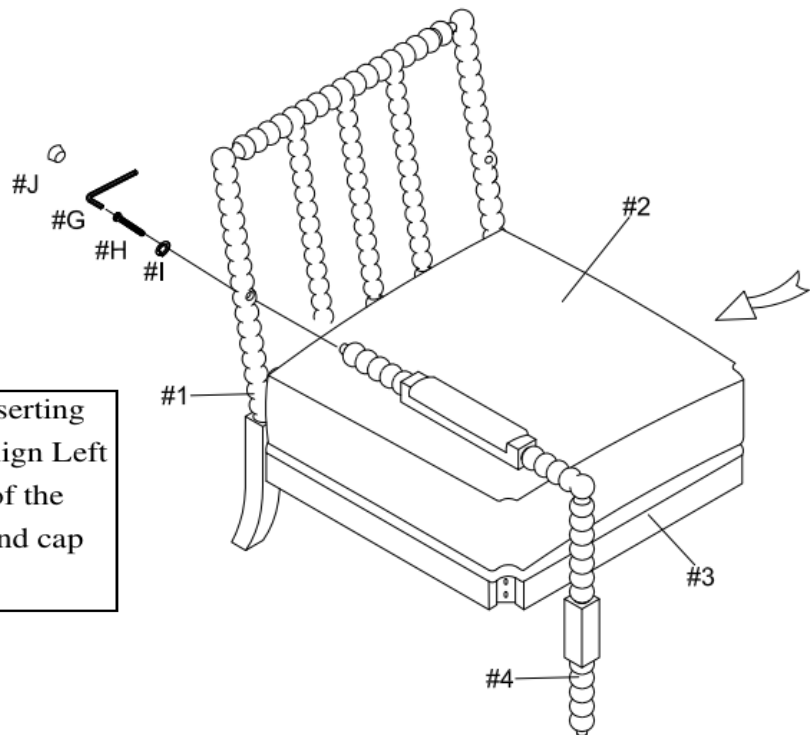
Part #4 x 1pc

Hardware #H x 1 pc

Hardware #I x 1 pc

Hardware #J x 1 pc

Prepare 1 bolts assembly by inserting washer (#I) onto bolts (#H). Align Left arm (#4) to the left side holes of the chair. Secure with bolts (#H) and cap the hole with a wood cap (#J).



ASSEMBLY INSTRUCTIONS

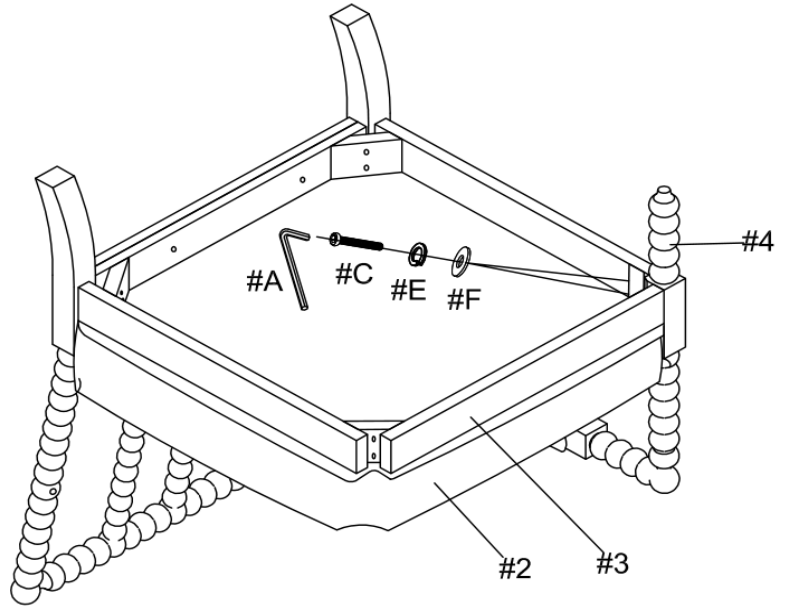
3

Prepare 2 bolts assembly by inserting lock washer (#E), then flat washer (#F) onto bolts (#C). Secure holes of left arm (#4) to seat frame (#3) with bolts (#C).

Hardware (#C) x 2 pcs

Hardware (#E) x 2 pcs

Hardware (#F) x 2 pcs



4

Align right arm (#5) to the holes of the chair back (#1) and seat frame (#3). Secure right arm (#5) to chair back with bolts (#H) that contains washer (#I).

Part (#5) x 1pc

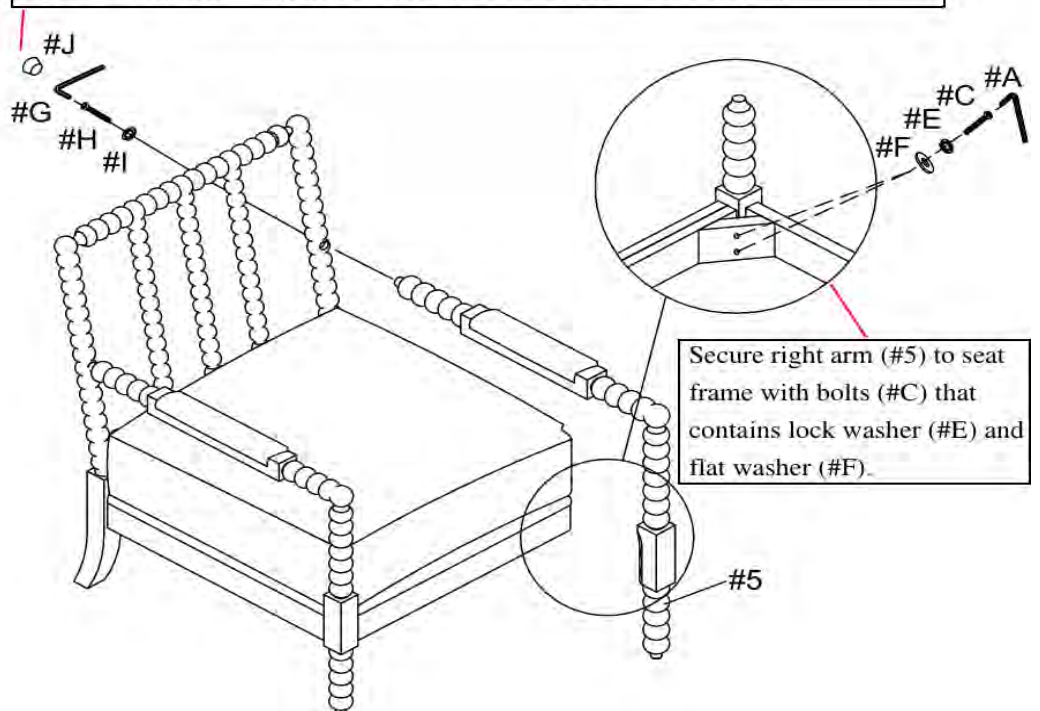
Hardware (#C) x 2 pcs

Hardware (#E) x 2 pcs

Hardware (#F) x 2 pcs

Hardware (#H) x 1pc

Hardware (#I) x 1pc



ASSEMBLY INSTRUCTIONS

5

Part #6 x1pc



ASSEMBLY COMPLETED



Please ensure the furniture rests on an even and flat surface. If the product wobbles or feels loose, double-check all bolts and/or screws are properly tightened and secured.



Keep this handy!

Please retain this instruction manual and any order-related information for future reference.



Lift, don't drag!

To avoid damage to product please always LIFT the product when transporting or adjusting the placement.