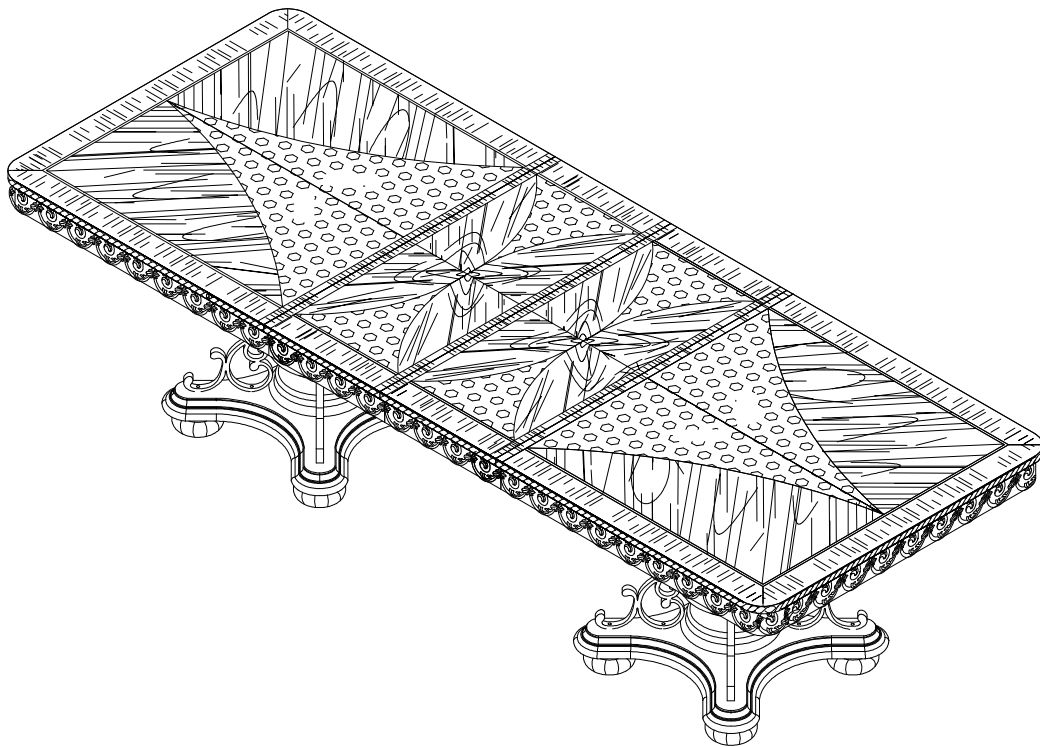


Furniture of America®

Assembly Instructions

For more information contact our team: service.ec@foagroup.com

CM3788T

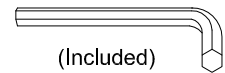


ASSEMBLY RATING

The Assembly Rating is a 5-point system that shows the degree of effort needed in assembling a specific product (with 1 being easy and 5 being difficult). For some products, two persons are recommended.

Tools Required For Assembly:

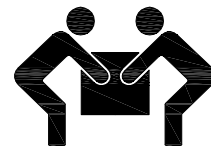
Allen Wrench



EASY



DIFFICULT

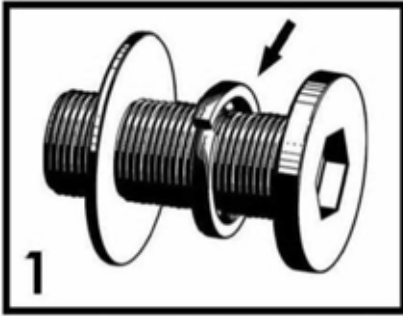


2 PERSONS RECOMMENDED

ASSEMBLY & CARE ADVICE

FOR YOUR FURNITURE TO LAST, CORRECT ASSEMBLY AND PROPER MAINTENANCE ARE NECESSARY. PLEASE FOLLOW THE INFORMATION PROVIDED BELOW TO FULLY ENJOY YOUR FURNITURE.

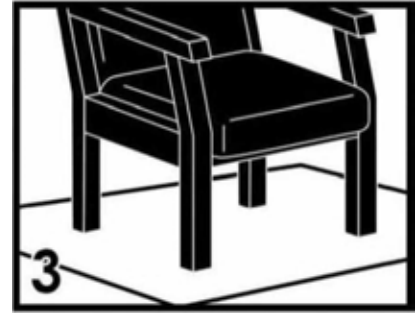
BASIC ASSEMBLY TECHNIQUES



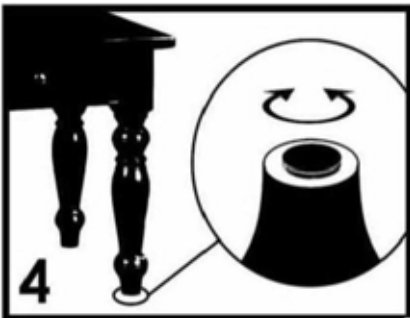
When lock or spring washer is used in an assembly, please make sure the lock or spring washer is placed between the larger flat washer and the head of the screw or bolt.



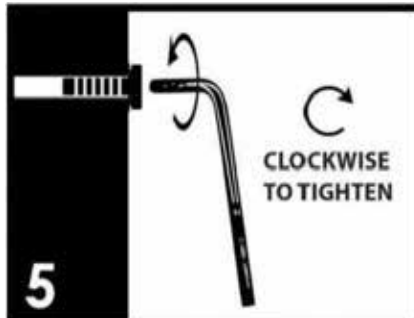
Position each part correctly and insert screws or bolts into their respective holes by hand tighten or using the proper hand tool. Only tighten when step is completed or when instructed to do so.



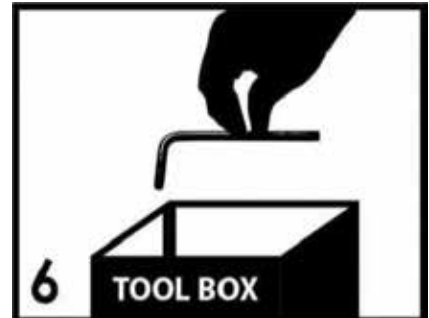
Use cardboard or carpet area when assembling furniture to prevent scratches. Make sure the furniture rests on a flat and level surface with each leg evenly touching the floor.



Some furniture comes with height adjustment knobs underneath each leg. To lower or to raise each leg, you need to turn clockwise or counterclockwise, respectively.

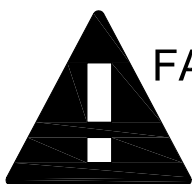


Make sure all parts are properly aligned, then use the appropriate hand tool to completely tighten the bolts or screws. Do not use power tools and do not overtighten.



Save the instructions and store the Allen wrench or any supplied tool for later maintenance. After two weeks, check and tighten any loose hardware and repeat again every six months thereafter.

IT IS THE USER'S RESPONSIBILITY TO MAINTAIN THE FURNITURE. THE HARDWARE MAY LOOSEN OVER TIME AND MAY CAUSE THE FURNITURE TO BE WOBBLY AND UNABLE TO SUPPORT ITS INTENDED WEIGHT CAPACITY. THIS MAY LEAD TO COLLAPSE AND MAY CAUSE SERIOUS INJURY.



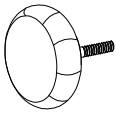
FAILURE TO FOLLOW THE GUIDELINES ABOVE MAY RESULT IN INJURY AND/OR PROPERTY DAMAGE.



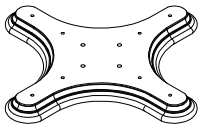
Before you begin, please read Page 2 of "Assembly and Care Advice".

And remember, do not tighten until each step is completed or instructed.

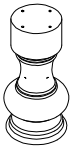
Parts List



#1 x 8pcs
Leg



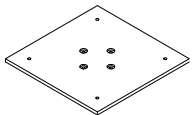
#2 x 2pcs
Bottom Board



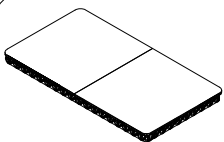
#3 x 2pcs
Pedestal



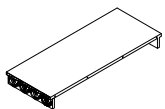
#4 x 8pcs
Metal Stretcher



#5 x 2pcs
Leg Support

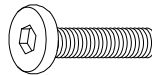


#6 x 1pc
Table Top

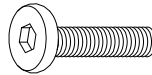


#7 x 2pcs
Leaf

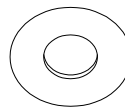
Hardware List



#A x 24pcs
Bolt Ø5/16"X1-3/4"



#B x 24pcs
Bolt Ø1/4"X7/8"



#C x 24pcs
Flat Washer



#D x 24pcs
Lock Washer

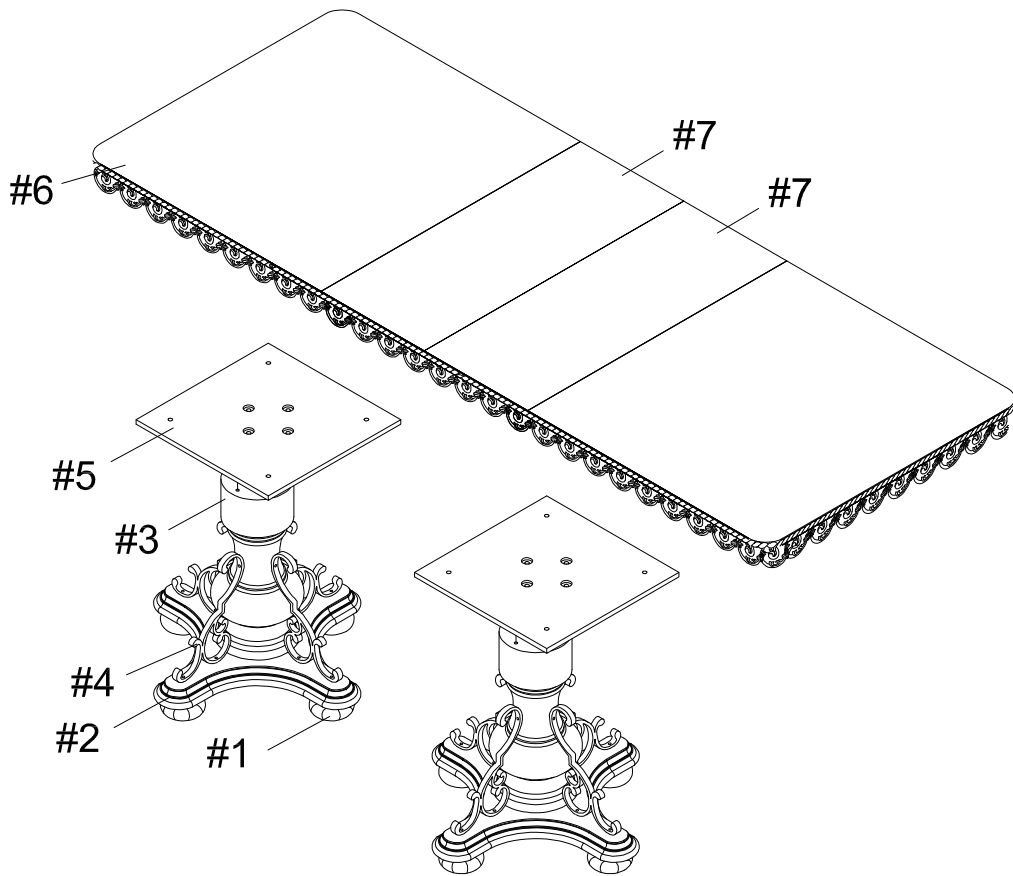


#E x 1pc
Allen Wrench M5



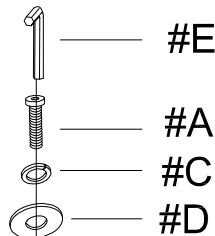
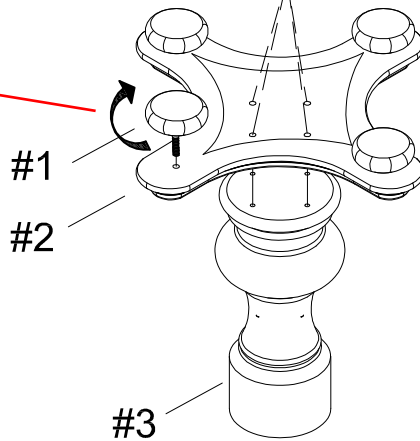
#F x 1pc
Allen Wrench M4

Exploded View



#A x 8pcs
#C x 8pcs
#D x 8pcs

2) Align and attach legs (#1) to the holes of the bottom board (#2).

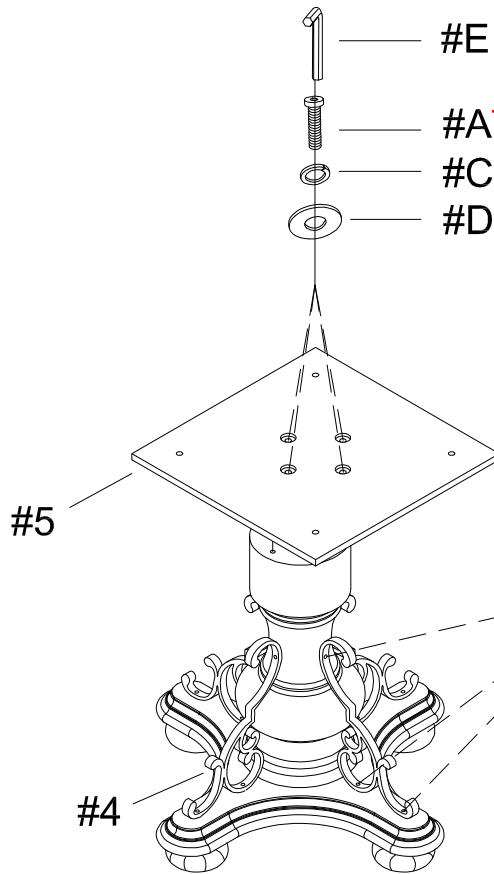


1) Prepare 8 bolts assembly by inserting lock washer (#C), then flat washer (#D) onto bolts (#A). Align bottom board (#2) to the holes of the pedestal (#3). Secure by using bolts (#A).

x 2



#A x 8pcs
 #B x 24pcs
 #C x 8pcs
 #D x 8pcs



1) Prepare 8 bolts assembly by inserting lock washer (#C), then flat washer (#D) onto bolts (#A). Align leg support (#5) to the holes of the pedestal (#3). Secure by using bolts (#A).

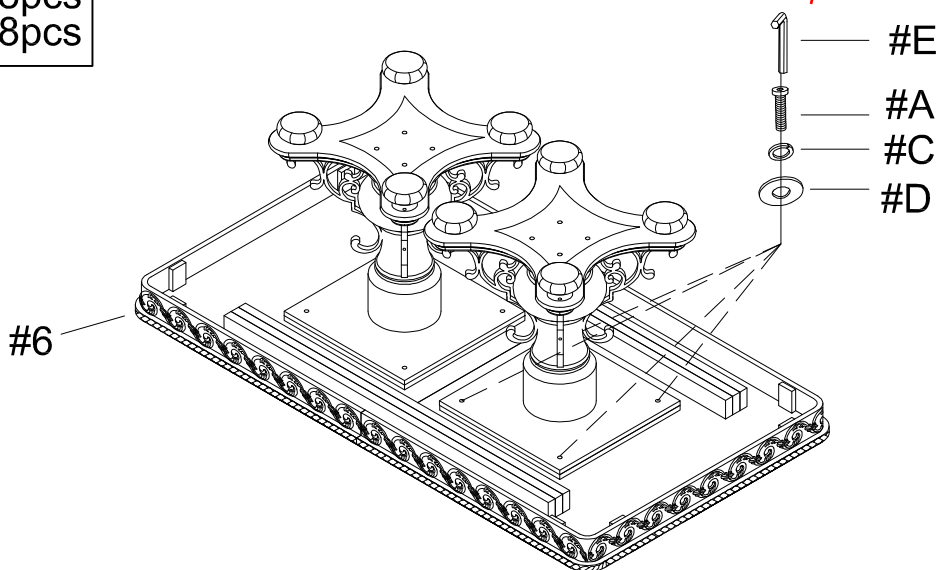
2) Align metal stretchers (#4) to the holes of the pedestal and bottom board. Secure by using bolts (#B).

x 2



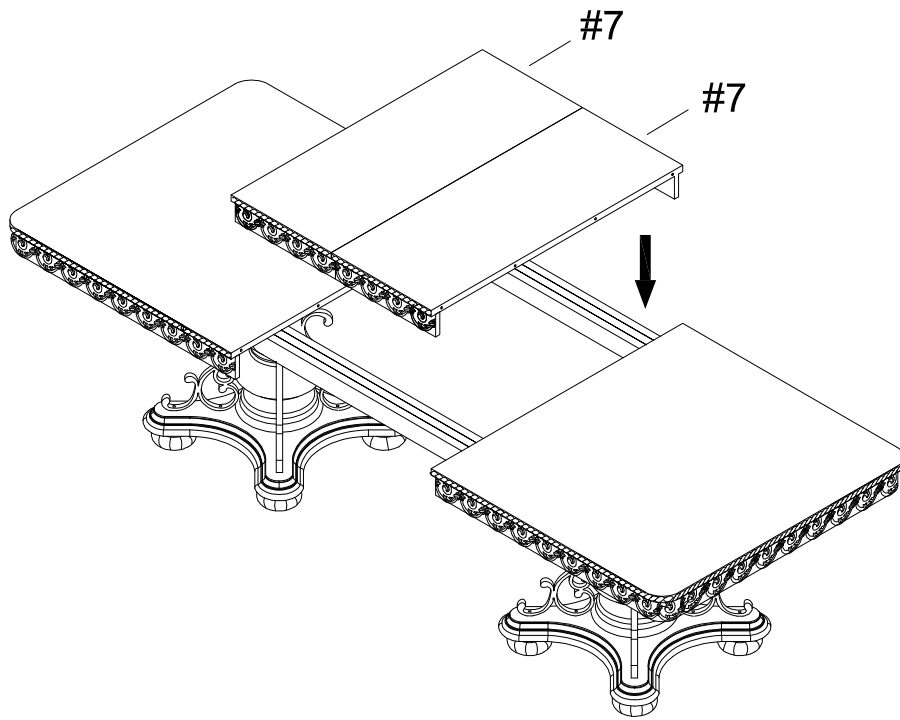
#A x 8pcs
 #C x 8pcs
 #D x 8pcs

Prepare 8 bolts assembly by inserting lock washer (#C), then flat washer (#D) onto bolts (#A). Align leg supports (#5) to the holes of the table top (#6). Secure by using bolts (#A).





Unlock and extend table top by pulling from the lever at the bottom of the table top. Place table leafs (#7) in-between table.



Secure by flipping switch to lock.

