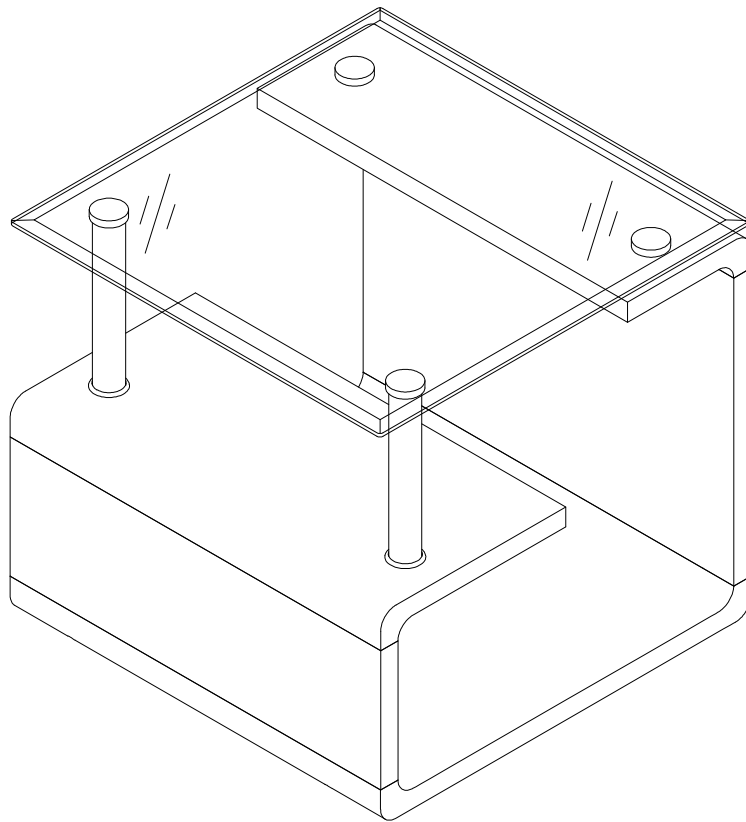


**Furniture of America**<sup>®</sup>

# Assembly Instructions

For more information contact our team: [service.ec@foagroup.com](mailto:service.ec@foagroup.com)

## CM4056E



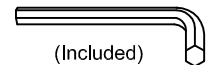
### ASSEMBLY RATING

The Assembly Rating is a 5-point system that shows the degree of effort needed in assembling a specific product (with 1 being easy and 5 being difficult). For some products, two persons are recommended.

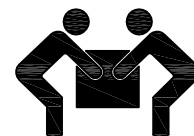
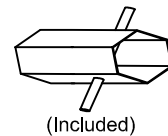
EASY  DIFFICULT

### Tools Required For Assembly:

Allen Wrench



Socket Wrench

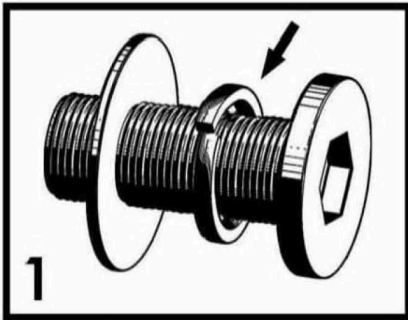


**2 PERSONS RECOMMENDED**

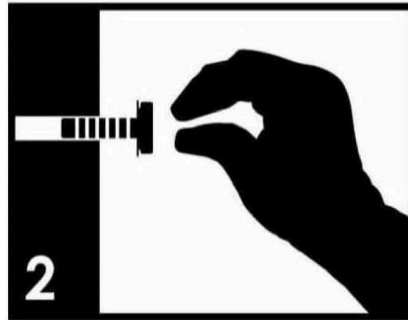
# ASSEMBLY & CARE ADVICE

FOR YOUR FURNITURE TO LAST, CORRECT ASSEMBLY AND PROPER MAINTENANCE ARE NECESSARY. PLEASE FOLLOW THE INFORMATION PROVIDED BELOW TO FULLY ENJOY YOUR FURNITURE.

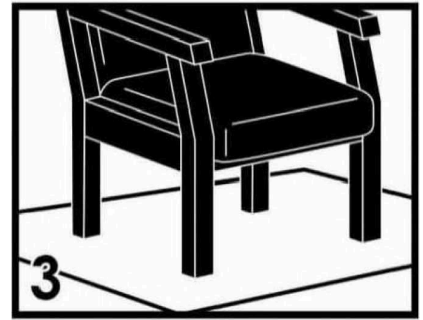
## BASIC ASSEMBLY TECHNIQUES



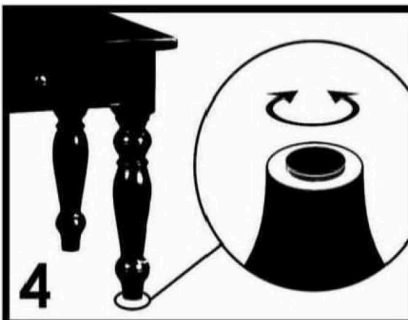
When lock or spring washer is used in an assembly, please make sure the lock or spring washer is placed between the larger flat washer and the head of the screw or bolt.



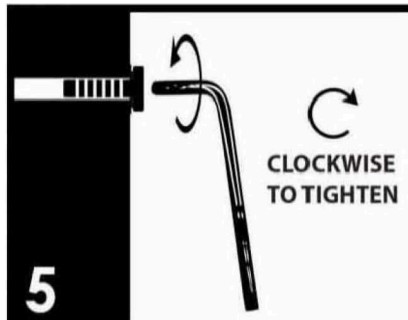
Position each part correctly and insert screws or bolts into their respective holes by hand tighten or using the proper hand tool. Only tighten when step is completed or when instructed to do so.



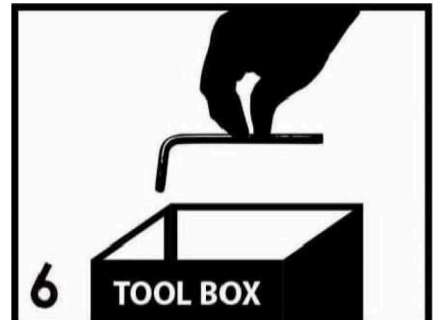
Use cardboard or carpet area when assembling furniture to prevent scratches. Make sure the furniture rests on a flat and level surface with each leg evenly touching the floor.



Some furniture comes with height adjustment knobs underneath each leg. To lower or to raise each leg, you need to turn clockwise or counterclockwise, respectively.

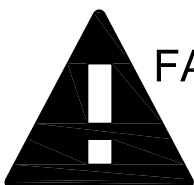


Make sure all parts are properly aligned, then use the appropriate hand tool to completely tighten the bolts or screws. Do not use power tools and do not overtighten.

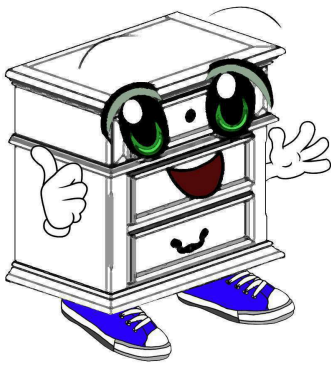


Save the instructions and store the Allen wrench or any supplied tool for later maintenance. After two weeks, check and tighten any loose hardware and repeat again every six months thereafter.

IT IS THE USER'S RESPONSIBILITY TO MAINTAIN THE FURNITURE. THE HARDWARE MAY LOOSEN OVER TIME AND MAY CAUSE THE FURNITURE TO BE WOBBLY AND UNABLE TO SUPPORT ITS INTENDED WEIGHT CAPACITY. THIS MAY LEAD TO COLLAPSE AND MAY CAUSE SERIOUS INJURY.



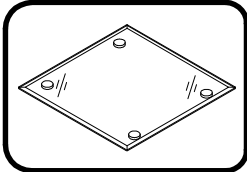
**FAILURE TO FOLLOW THE GUIDELINES ABOVE MAY RESULT IN INJURY AND/OR PROPERTY DAMAGE.**



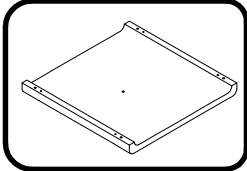
Before you begin, please read Page 2 of "Assembly and Care Advice".

And remember, do not tighten until each step is completed or instructed.

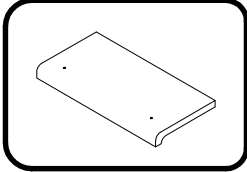
## Parts List



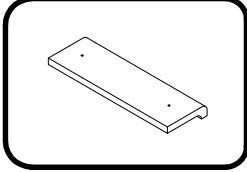
#1 x 1pc  
Top Glass



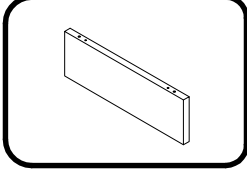
#2 x 1pc  
Bottom Wood



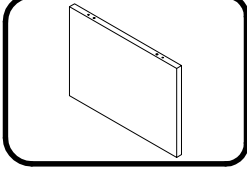
#3 x 1pc  
Middle Shelf



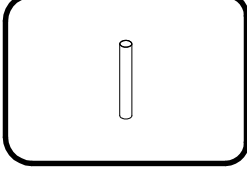
#4 x 1pc  
Top Wood



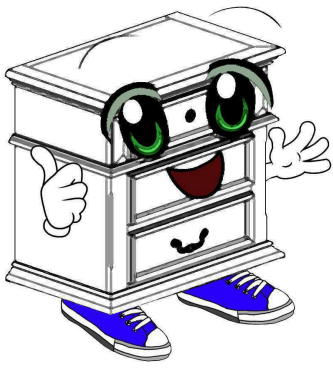
#5 x 1pc  
Small Vertical Side Panel



#6 x 1pc  
Big Vertical Side Panel



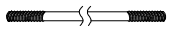
#7 x 3pcs  
Support Tube



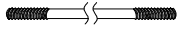
Before you begin, please read Page 2 of "Assembly and Care Advice".

And remember, do not tighten until each step is completed or instructed.

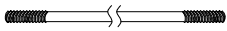
### Hardware List



#A x 4pcs  
Rod 5/16" X 10-3/8"



#B x 1pc  
Rod 5/16" X 11-3/8"



#C x 2pcs  
Rod 5/16" X 19-5/8"



#D x 1pc  
Allen Wrench M5



#E x 2pcs  
Bolt 5/16" X 1-3/8"



#F x 9pcs  
Washer



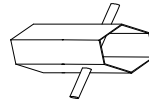
#G x 7pcs  
Nut M8



#H x 8pcs  
Wood Dowel



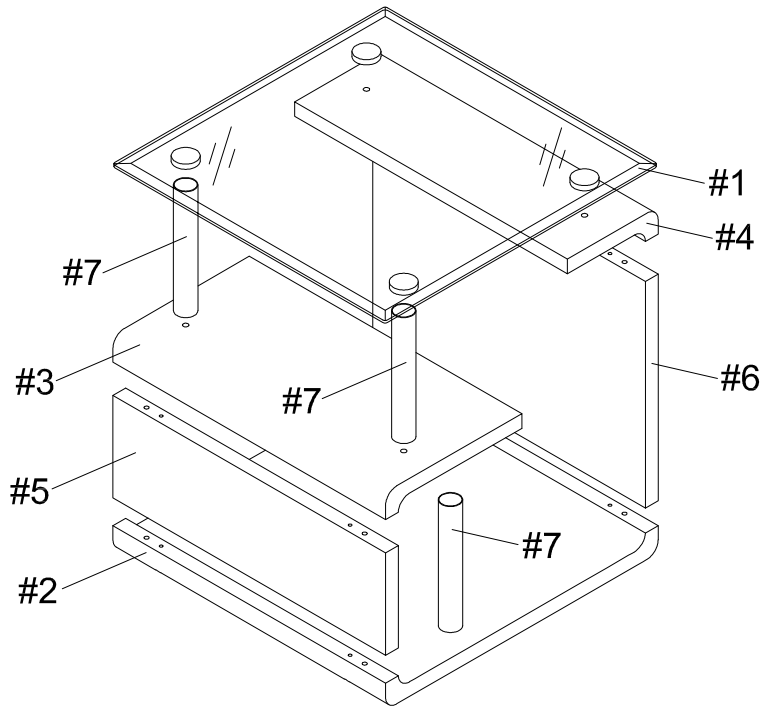
#I x 4pcs  
Plastic Washer



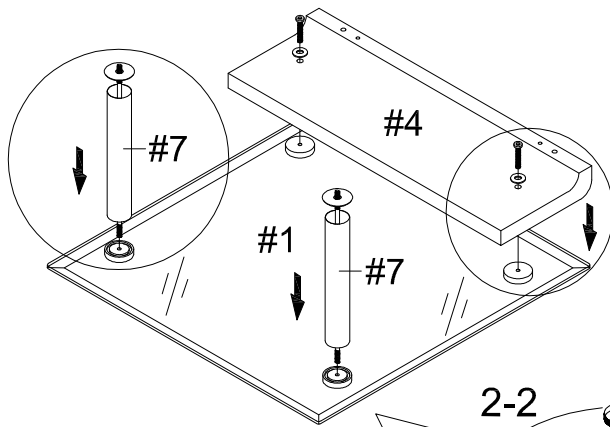
#J x 1pc  
Hex Wrench M8



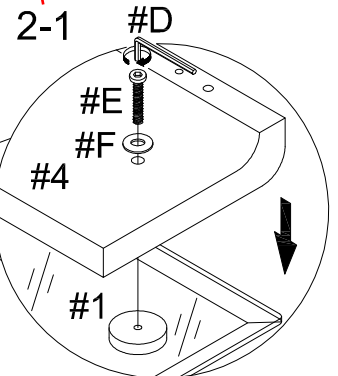
# Exploded View



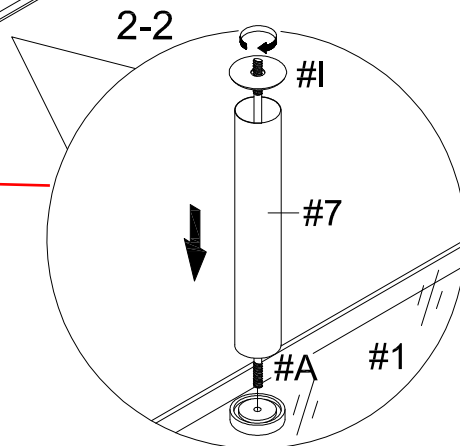
#A x 2pcs  
#E x 2pcs  
#F x 2pcs  
#I x 2pcs



1) Align top wood (#4) to the holes of the top glass (#1), then secure by using bolts (#E) with washers (#F).

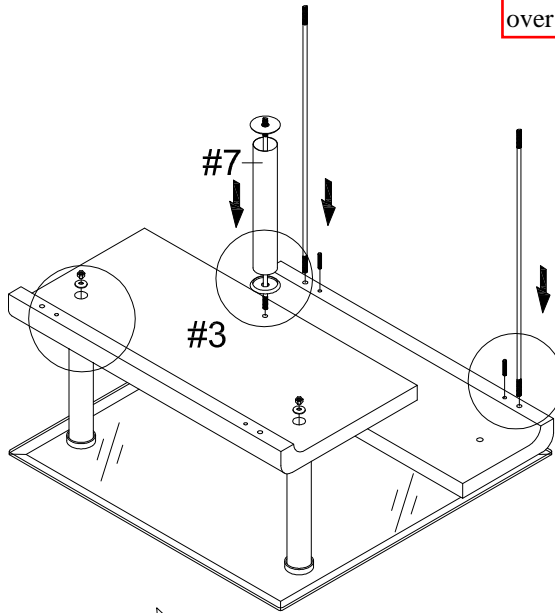


2) Align and attach rods (#A) to the holes of the glass (#1), then place long support tubes (#7) with plastic washers (#I) over rods (#C).

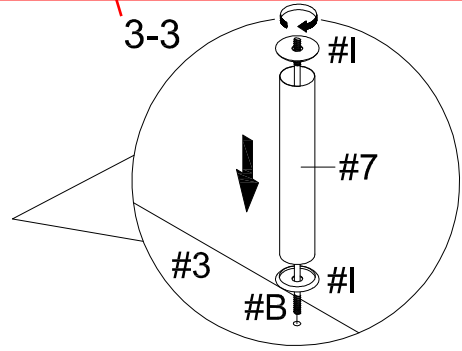




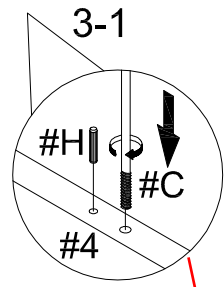
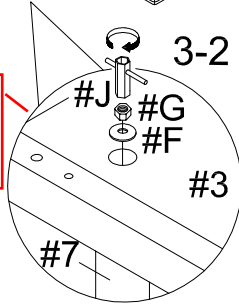
- #B x 1pc
- #C x 2pcs
- #F x 2pcs
- #G x 2pcs
- #H x 2pcs
- #I x 2pcs



3) Align and attach rods (#B) to the holes of the middle shelf (#3), then place support tube (#7) with plastics washer (#I) over rods (#B).



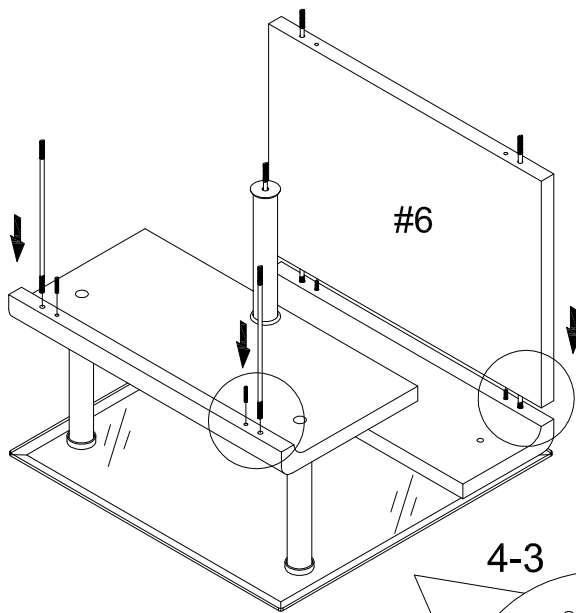
2) Align middle shelf (#3) to the rods, then secure by using hex nut (#G) with washers (#F).



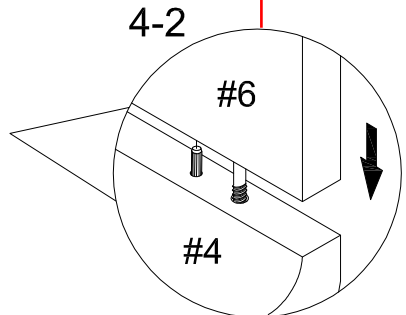
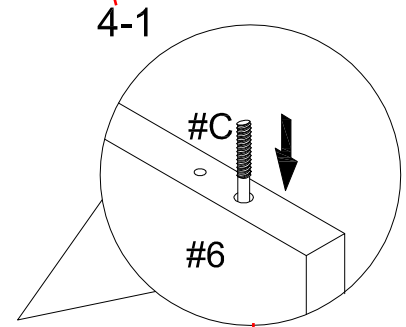
1) Attach rods (#C) and dowels (#H) to the holes of the top wood (#4).



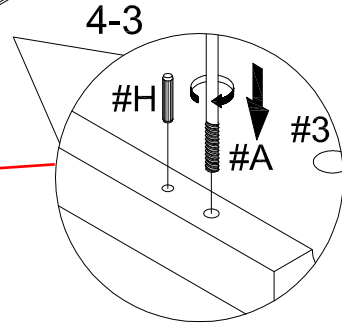
- #A x 2pcs
- #H x 2pcs



1,2) Slide big side panel (#6) through the rods (#C).

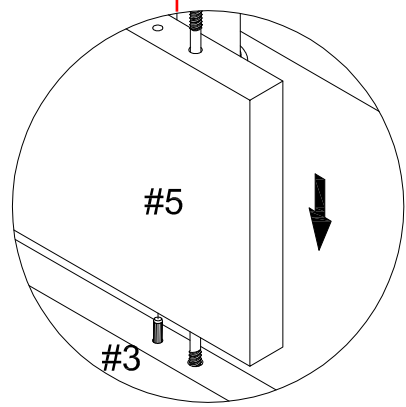
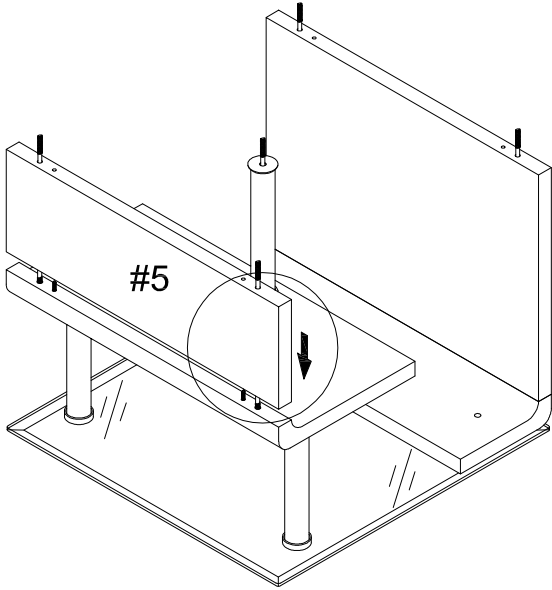


3) Attach rods (#A) and dowels (#H) to the holes of the middle shelf (#3).





Slide small side panel (#5) through the rods (#A).



Attach dowels (#H) to the holes of the side panels (#5,6), then align bottom panel (#2) to the rods and dowels of the unit. Secure by using hex nut (#G) with washers (#F).

- #F x 5pcs
- #G x 5pcs
- #H x 4pcs

