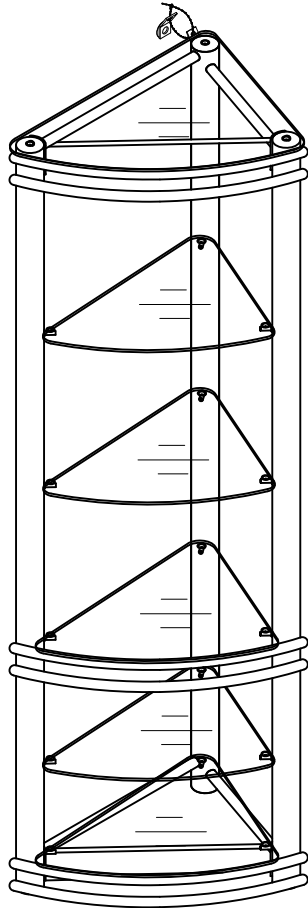


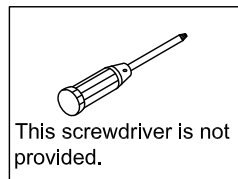
ASSEMBLY INSTRUCTIONS

ITEM.:CM5510-PC

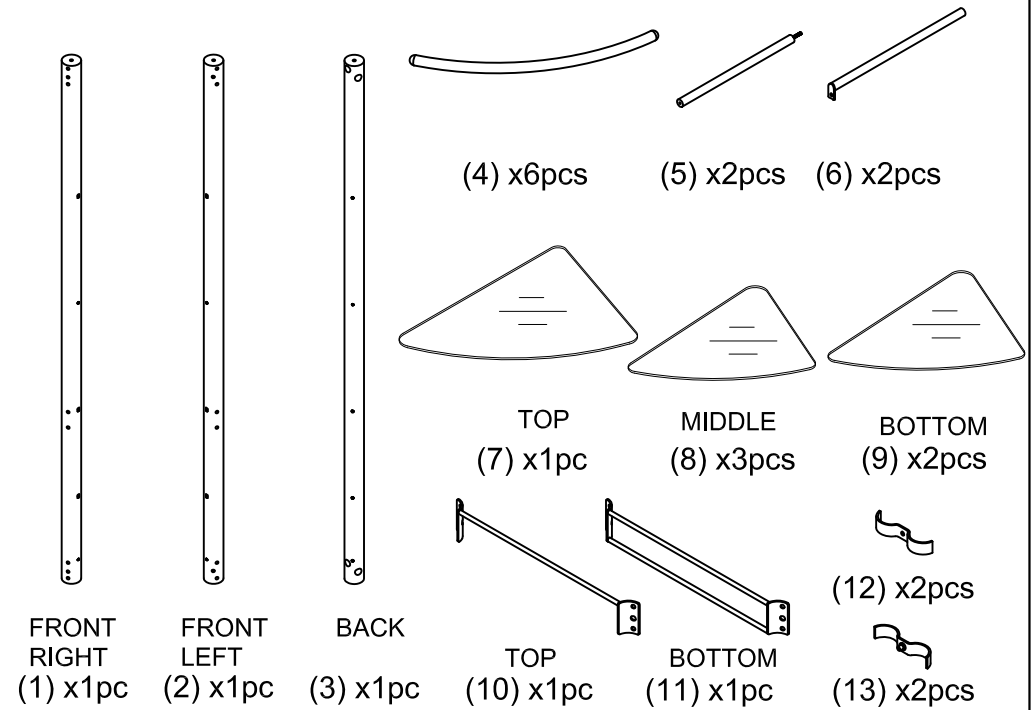
LEFT PIER



CAUTIONS:
DO NOT FULLY TIGHTEN
SCREWS UNTIL FULLY ASSEMBLED



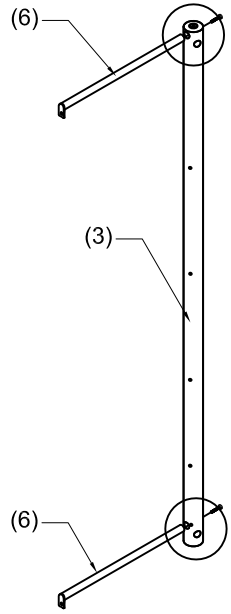
PARTS IDENTIFICATION


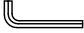


HARDWARE LIST

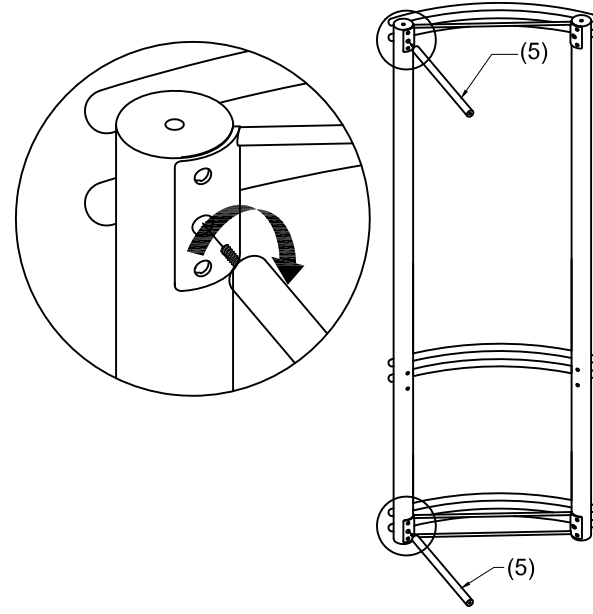
A		1/4"x2 1/2"	12pcs	G		2pcs
B		1/4"x7/8"	6pcs	H		1pc
C		1/4"x5/8"	2pcs	J		1pc
D			3pcs	K		M4x37mm 1pc
E			15pcs	L		4x4mm 1pc
F			15pcs			

STEP 1:

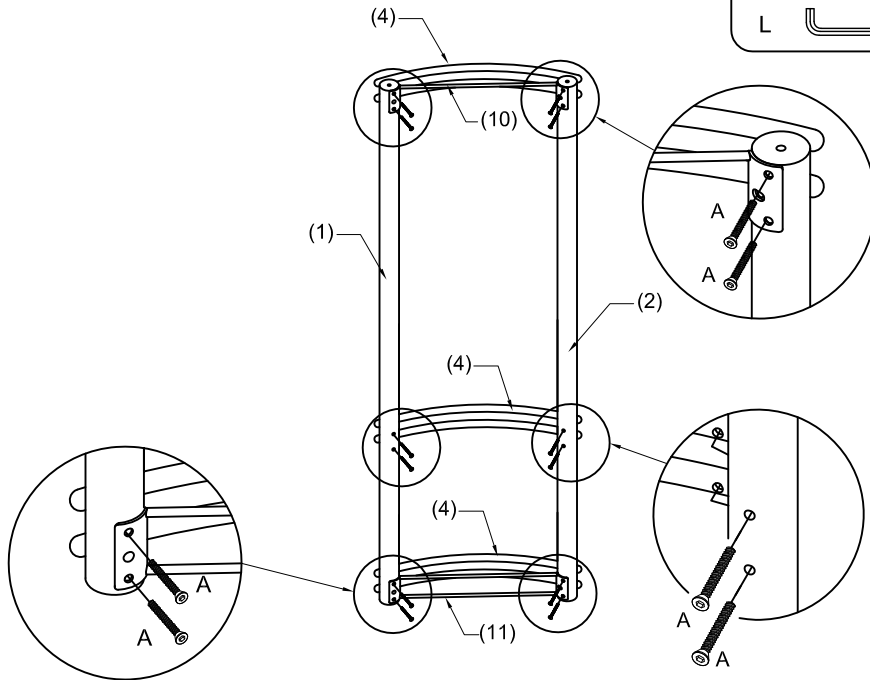



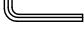
- B  2pcs
- L 

STEP 3:

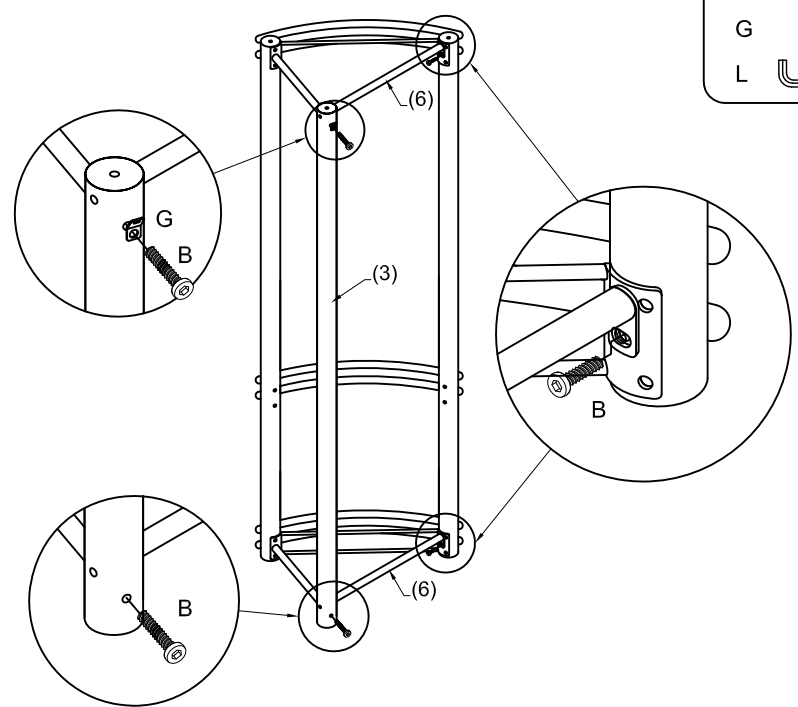





STEP 2:



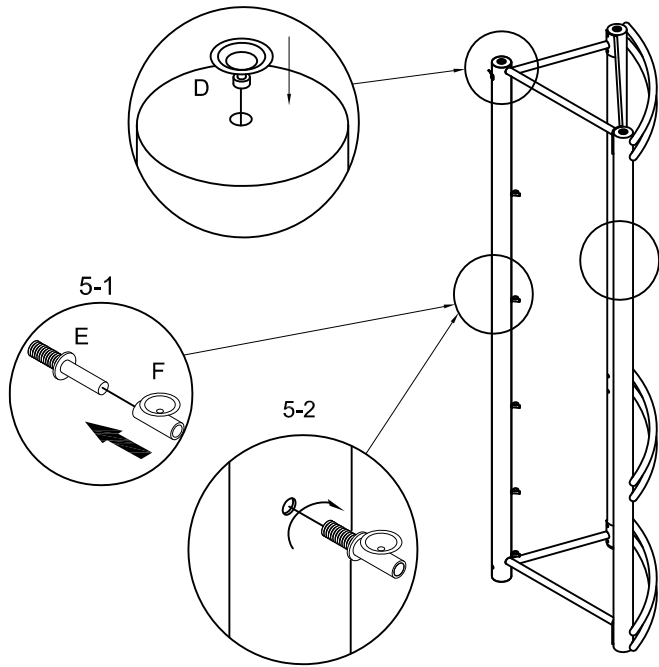
- A  12pcs
- L 

STEP 4:



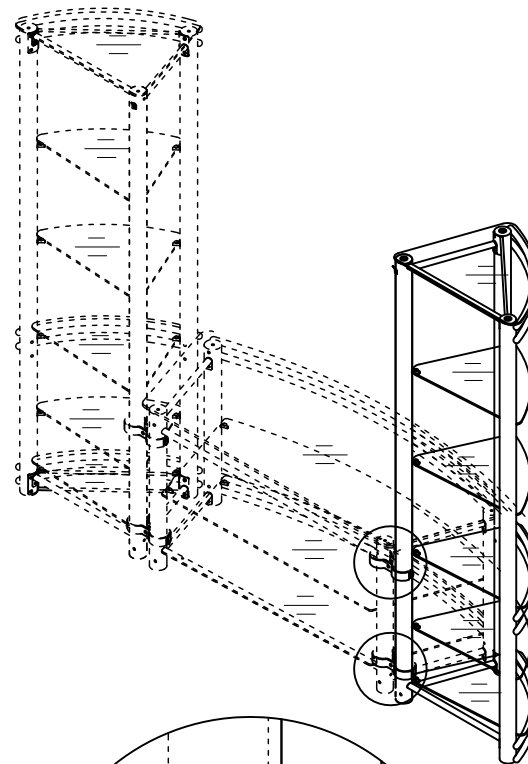
- B  4pcs
- G  1pc
- L 

STEP 5:



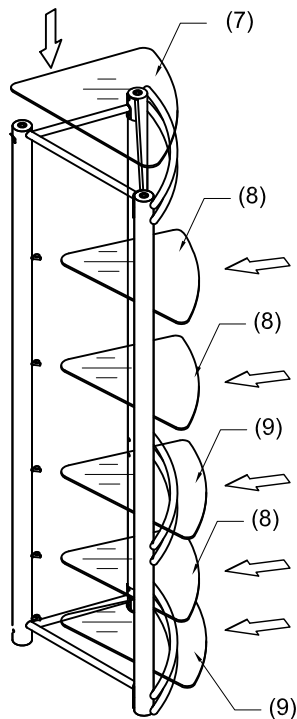
- D 3pcs
- E 15pcs
- F 15pcs

STEP 7:






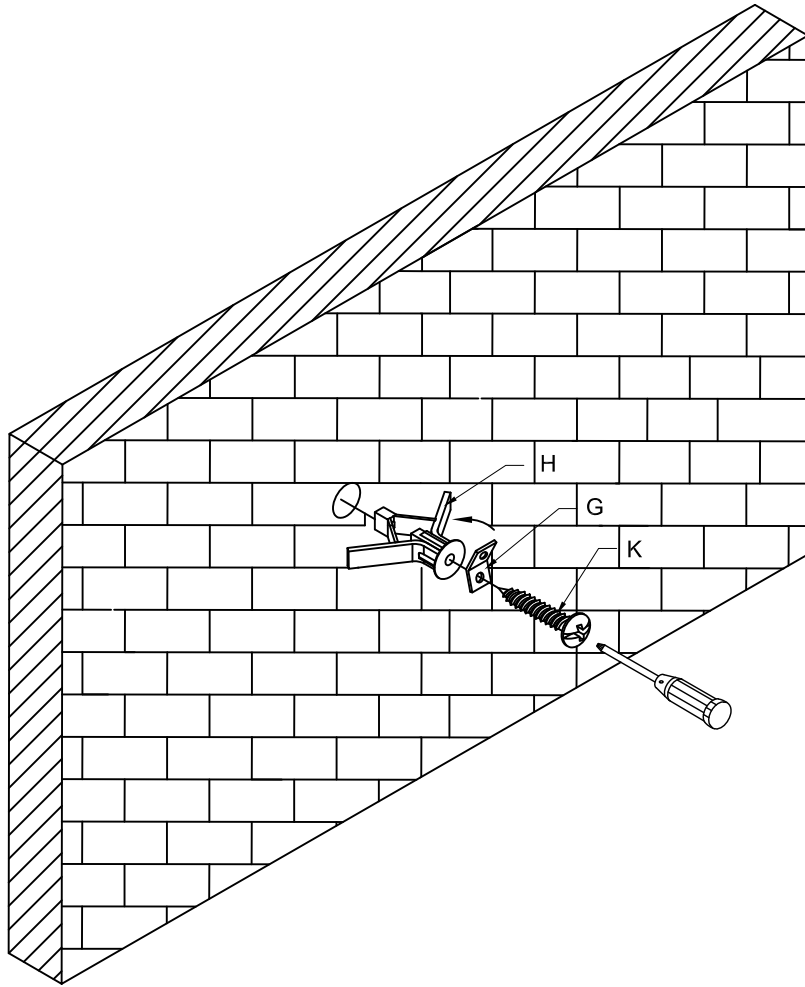
- C 2pcs
- L 2pcs

STEP 6:




STEP 9:

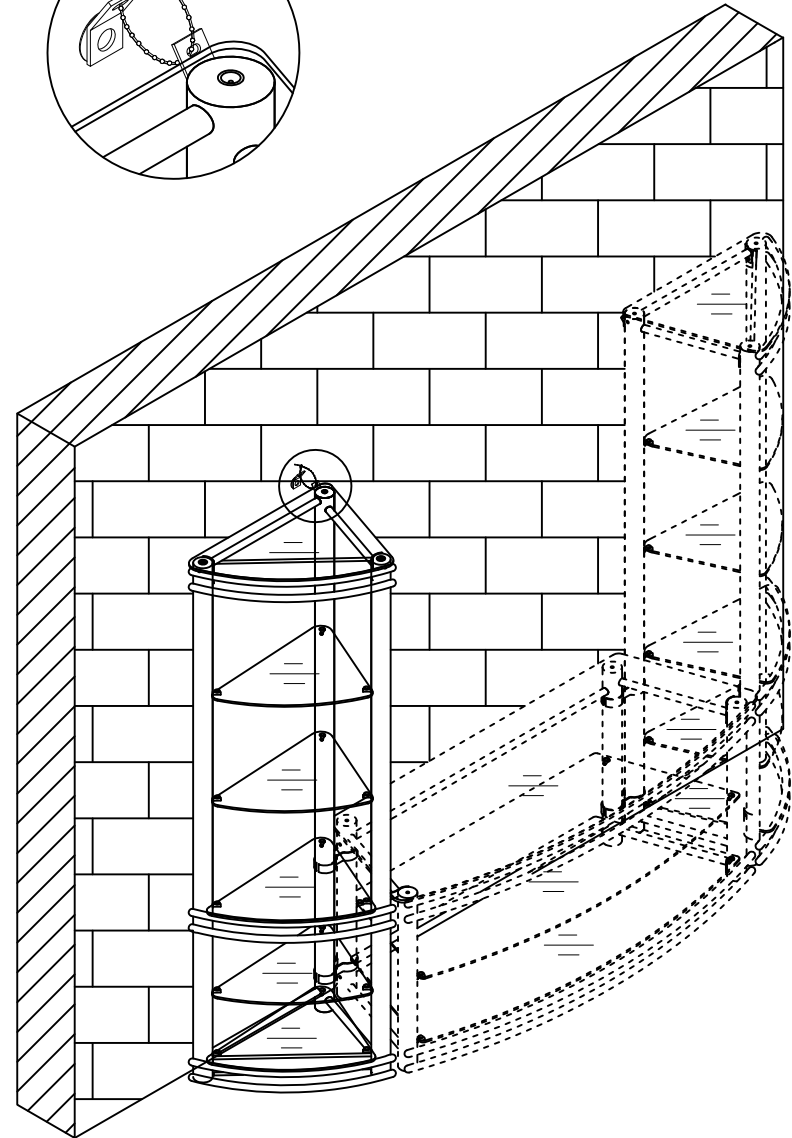
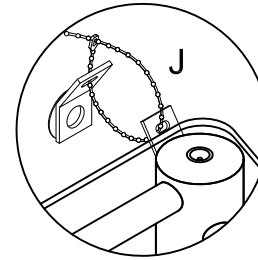
G		1PC
H		1PC
K		1PC



STEP 10:

TO PREVENT TIP OVER
PRODUCT MUST BE
ATTACHED TO WALL

J		1pc
---	--	-----

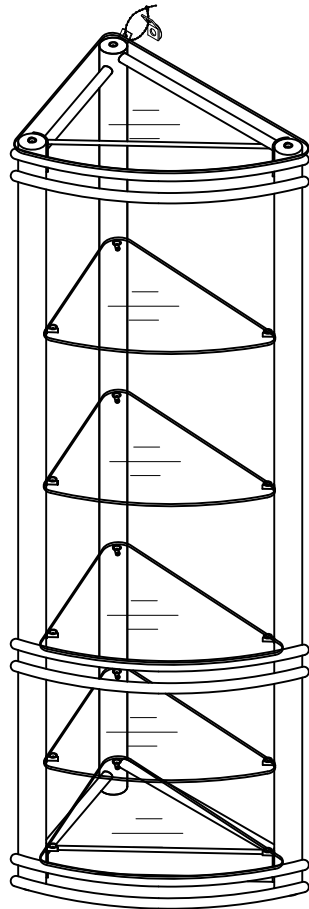


LEFT PIER

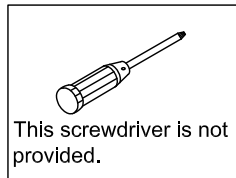
ASSEMBLY INSTRUCTIONS

ITEM.:CM5510-PC

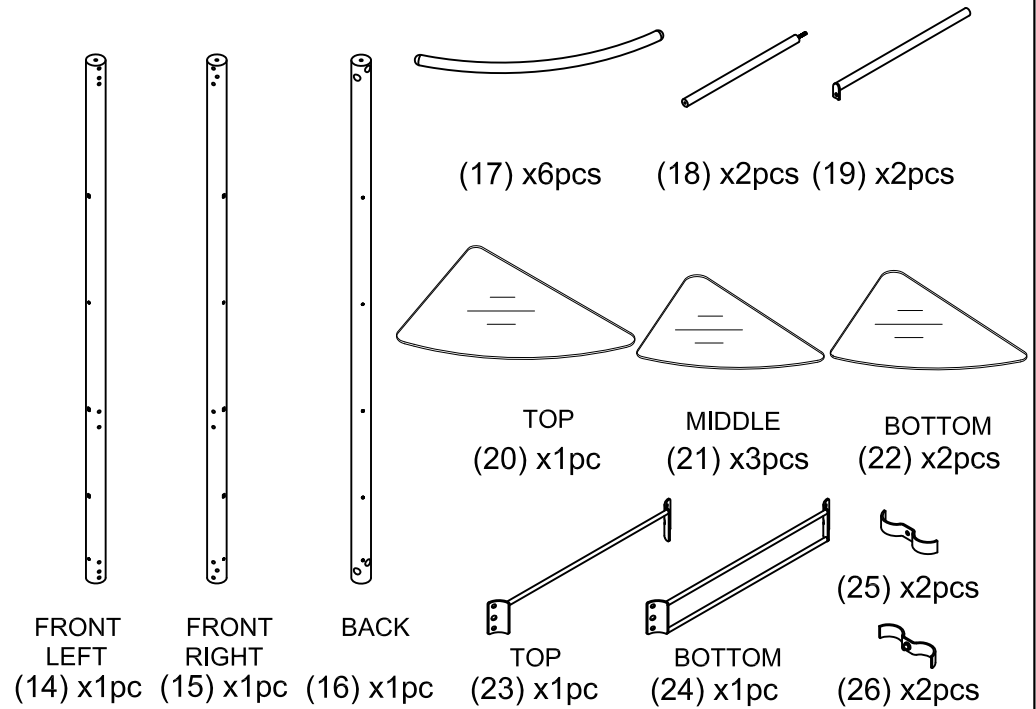
RIGHT PIER



CAUTIONS:
DO NOT FULLY TIGHTEN
SCREWS UNTIL FULLY ASSEMBLED



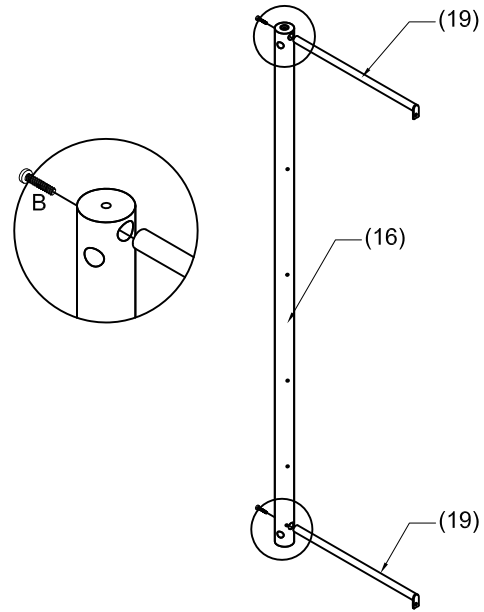
PARTS IDENTIFICATION





HARDWARE LIST

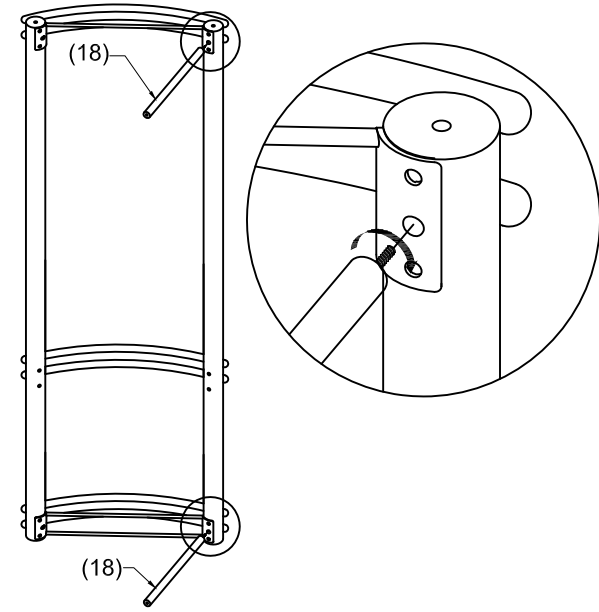
A		1/4"x2 1/2"	12pcs	G		2pcs
B		1/4"x7/8"	6pcs	H		1pc
C		1/4"x5/8"	2pcs	J		1pc
D			3pcs	K		M4x37mm 1pc
E			15pcs	L		4x4mm 1pc
F			15pcs			

STEP 1:

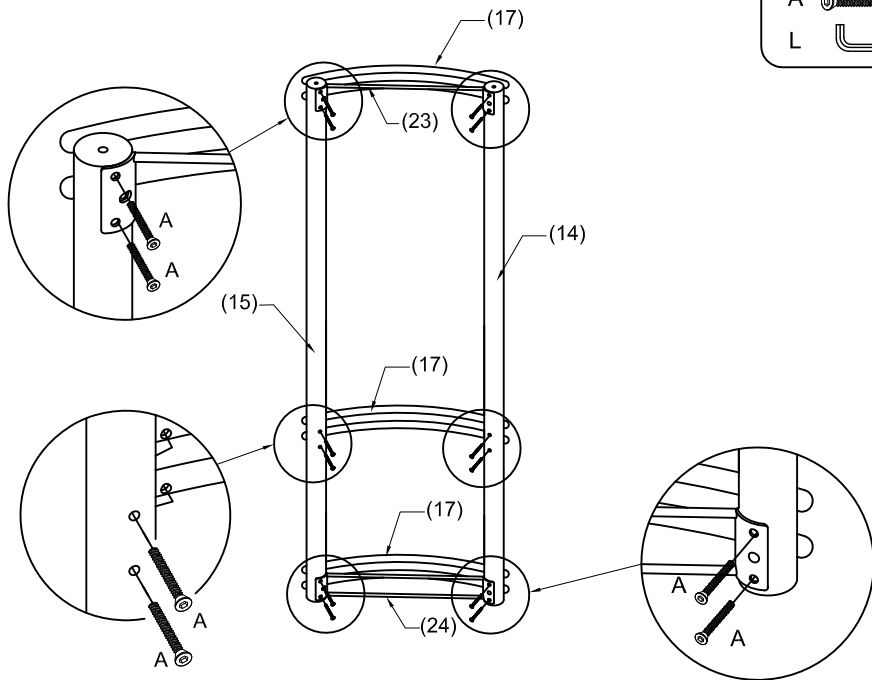




- B  2pcs
- L 

STEP 3:

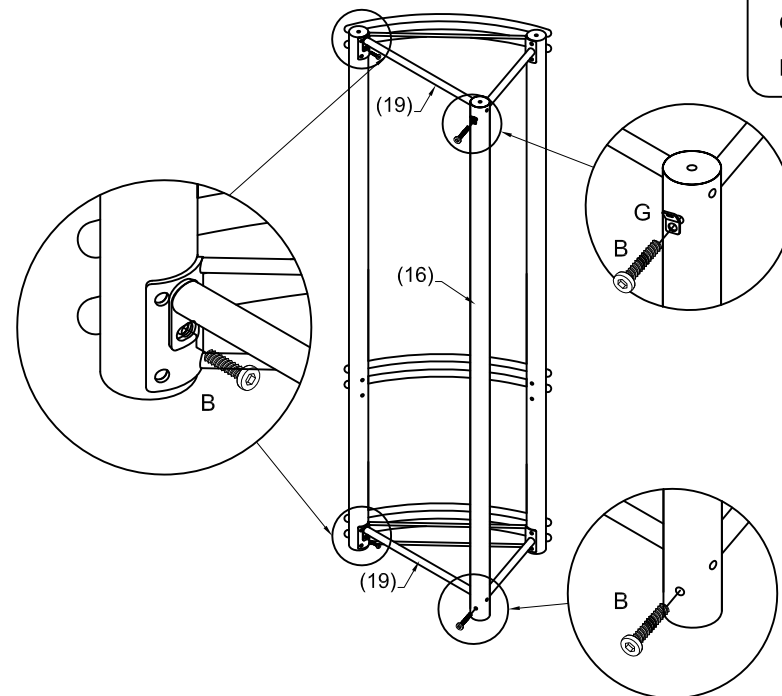





STEP 2:



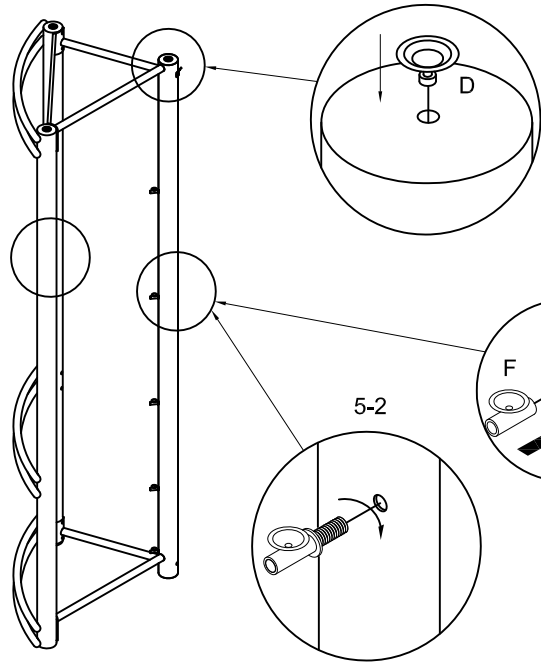
- A  12pcs
- L 




STEP 4:



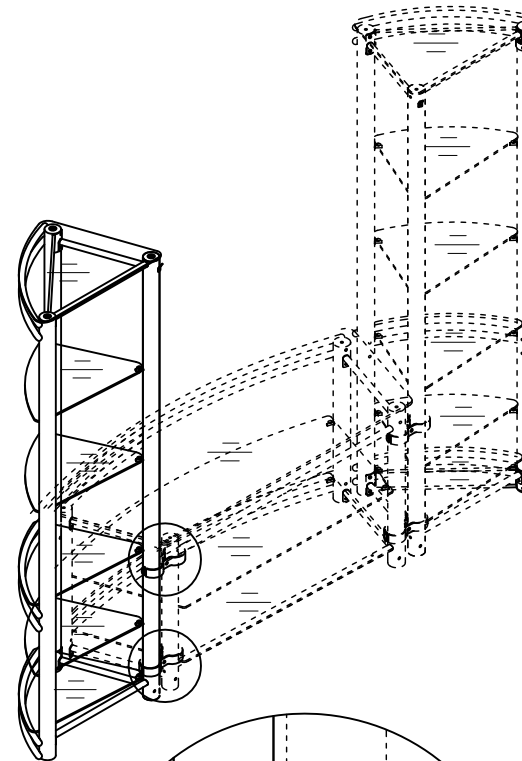
- B  4pcs
- G  1pc
- L 



STEP 5:



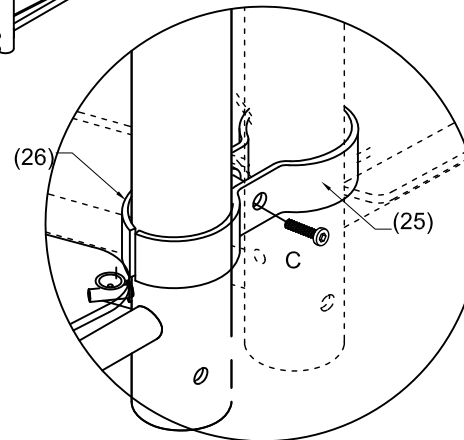
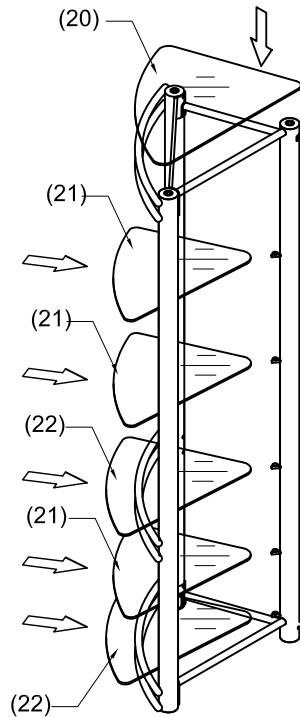
- D  3pcs
- E  15pcs
- F  15pcs

STEP 7:






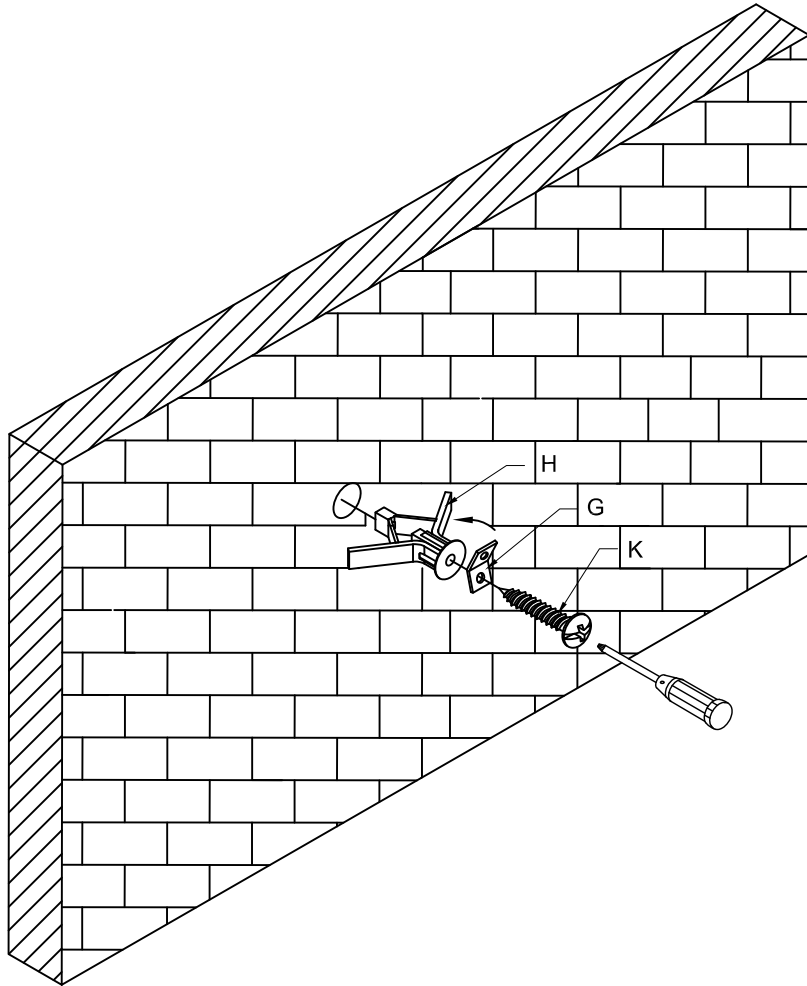
- C  2pcs
- L 

STEP 6:




STEP 9:

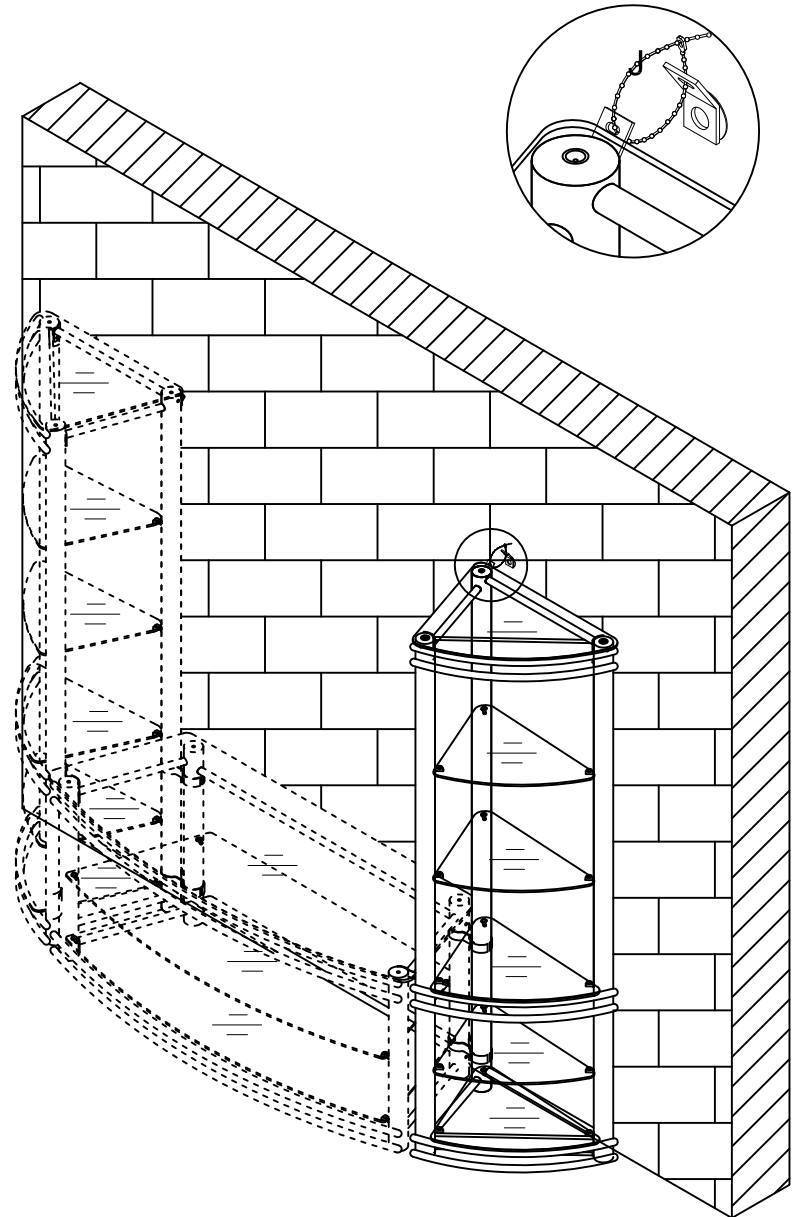
G		1PC
H		1PC
K		1PC



STEP 10:

TO PREVENT TIP OVER
PRODUCT MUST BE
ATTACHED TO WALL

J		1pc
---	--	-----



RIGHT PIER