



**Furniture of America**<sup>®</sup>

E-Commerce by Enitial Lab

# ASSEMBLY INSTRUCTIONS

MODEL #

**CM6077-LV**

Questions?

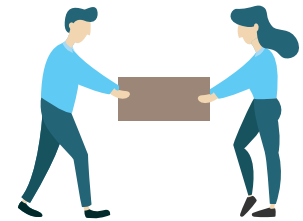
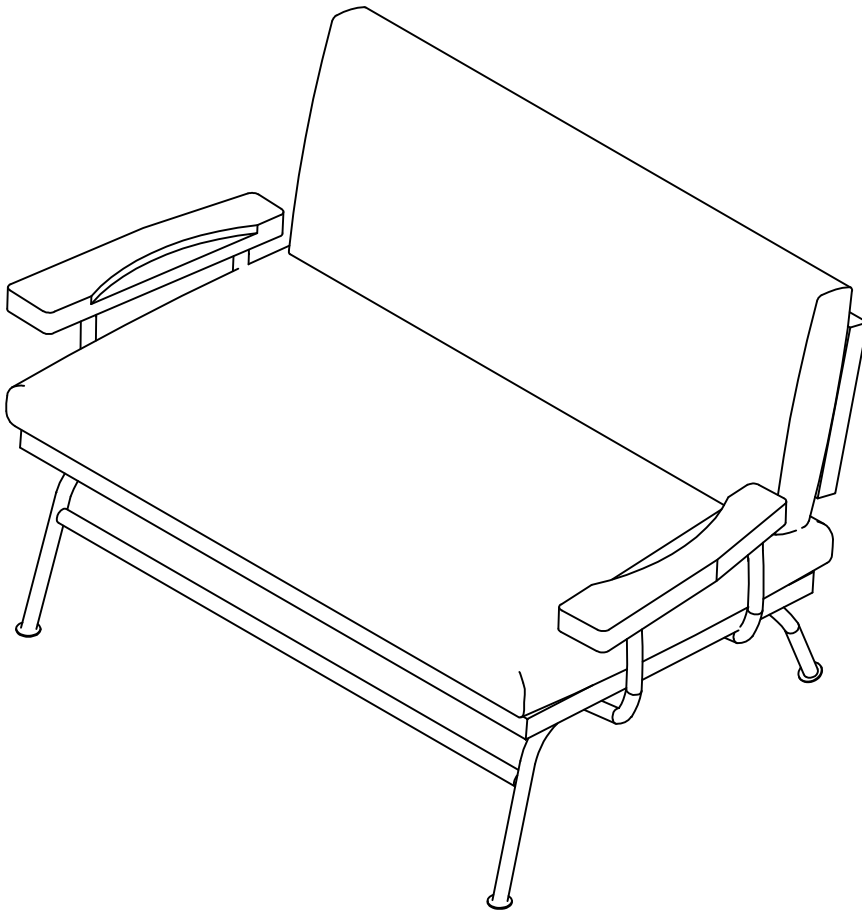
GIVE US A CALL: 1-888-980-5122  
MON – FRI 8:30AM – 5:30PM (PST)

## TOOLS REQUIRED



Allen Wrench

(Included)



**2 - People Recommended**

## ASSEMBLY RATING



EASY —————> DIFFICULT

The Assembly Rating is a 5-point system showing the level of effort needed to assemble a specific product.




FOA Intro

Thank you for your purchase!


We hope you enjoy this new addition to your home for many years to come.

Our commitment to providing quality products does not simply end when you purchase our product. We fully stand behind our products from start to finish. Our customer service department is available Monday – Friday 8:30 AM – 5:30 PM Pacific and can help with assembly questions as well as, if necessary, replacing damaged or missing parts. To help expedite our service, please have these assembly instructions readily available, along with your order receipt.

 **Consumer Hotline**  
Toll-Free 1-888-980-5122

 **WEBSITE**  
[www.foagroup.com](http://www.foagroup.com)

    foagroup

 **Monday to Friday**  
8:30AM- 5:30PM (PST)

 **E-MAIL**  
[cs.ec@foagroup.com](mailto:cs.ec@foagroup.com)

 FurnitureOfAmerica

---

## CHECK BEFORE STARTING

**Are you missing anything?**

Double-check all parts, hardware and accessories listed on Page 6 are accounted for.

**Should we send any replacements?**

Are there any irregularities or flaws in the parts? We can send replacements!

**Check out our Quick Tips!**

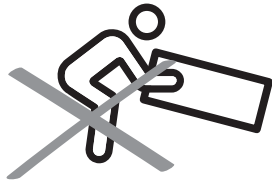
We recommend reviewing the pre-assembly handouts. Even experts need a refresher now and then!

**Prep Time!**

Please review the assembly instructions and all diagrams prior to assembling. Arrange parts as recommended on Page 7 and group identical hardware together to make assembling easier.

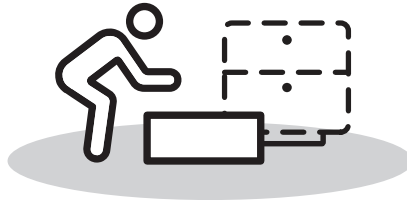
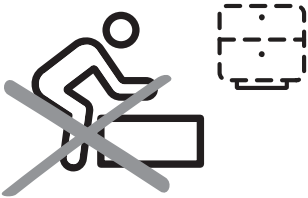
# PRE ASSEMBLY INTRODUCTION

We understand building ready-to-assemble furniture can be a challenging experience for some. To help avoid confusion, we have provided some helpful tips that may speed up the process.



## Teamwork

ALWAYS have at least two people to help with transporting and assembling the product to avoid potential injury and/or damage.



## Suitable Location

Assembling near the area of the intended location is highly recommended.



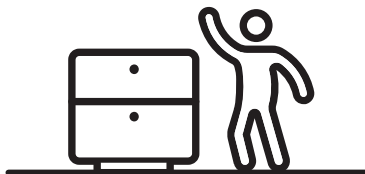
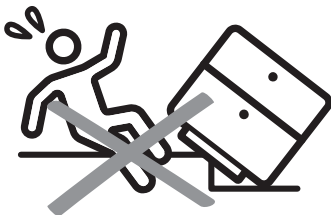
## Sufficient Space

Make sure you have enough space to move around during the assembly.



## Avoid Scratches

Use cardboard, blankets or a carpeted area while assembling furniture to prevent scratches.



## Flat Surface

Make sure the furniture rests on a flat and level surface with each leg evenly touching the floor.

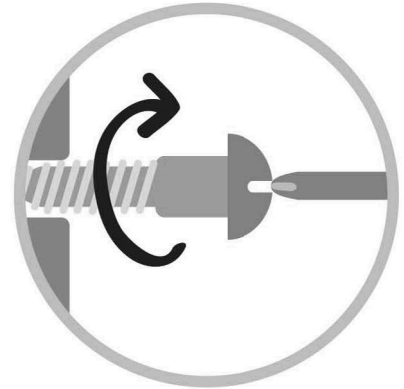
# ASSEMBLY AND CARE ADVICE



**FAILURE TO FOLLOW THE GUIDELINES BELOW MAY RESULT IN INJURY AND/OR PROPERTY DAMAGE.**



Position each part correctly and insert screws or bolts into their respective holes.



Turn clockwise to tighten and only tighten when step is completed or when instructed to do so.



Save the instructions and store any supplied tools for later maintenance.

Use the appropriate hand tools or power tools for assembly. Select steps, such as tightening screws and/or bolts, may require hand tools to avoid causing damage during assembly.

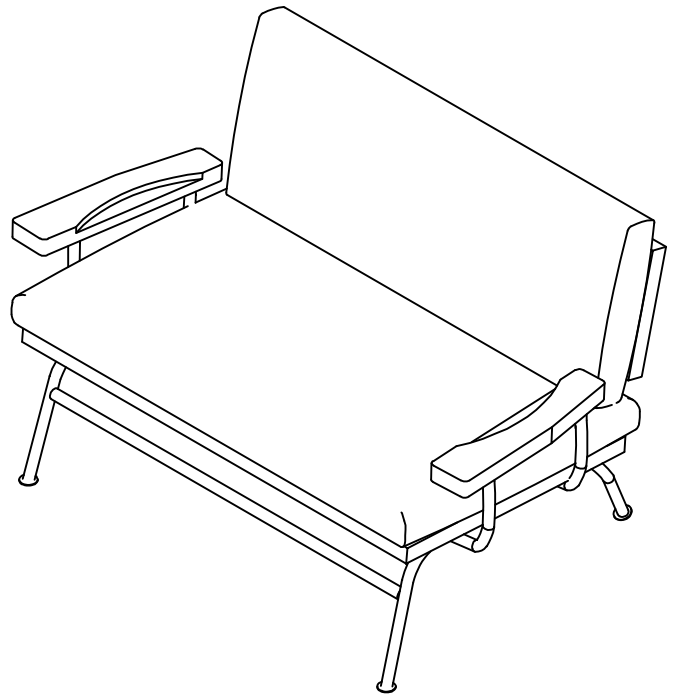
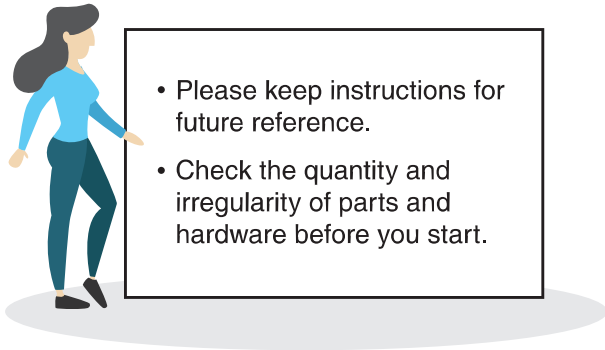


After two weeks, check and tighten any loose hardware and repeat again every six months thereafter.

**IT IS THE USER'S RESPONSIBILITY TO MAINTAIN THE FURNITURE. THE HARDWARE MAY LOOSEN OVER TIME AND MAY CAUSE THE FURNITURE TO BE WOBBLY AND UNABLE TO SUPPORT ITS INTENDED WEIGHT CAPACITY. THIS MAY LEAD TO COLLAPSE AND MAY CAUSE SERIOUS INJURY.**

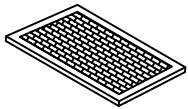
# LOVESEAT

## CM6077-LV



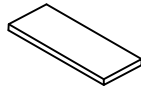
### PARTS

#1 1pc



Seat Frame

#2 1pc



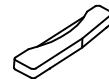
Back Panel

#3 1pc



Left Wood Arm

#4 1pc



Right Wood Arm

#5 1pc



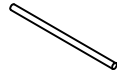
Left Side Metal Frame

#6 1pc



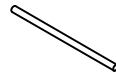
Right Side Metal Frame

#7 1pc



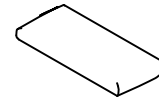
Front Bar  
( Long )

#8 1pc



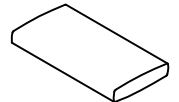
Middle Bar  
( Short )

#9 1pc



Seat Cushion

#10 1pc



Back Cushion

### HARDWARE

#A 16pcs



Bolt 1/4" x 3/4"

#B 4pcs



Bolt 1/4" x 1-1/2"

#C 20pcs



Lock Washer

#D 4pcs



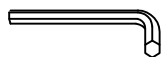
Flat Washer  
1/4" x 12mm

#E 16pcs



Flat Washer  
1/4" x 16mm

#F 1pc



Allen Wrench M4

#G 4pcs

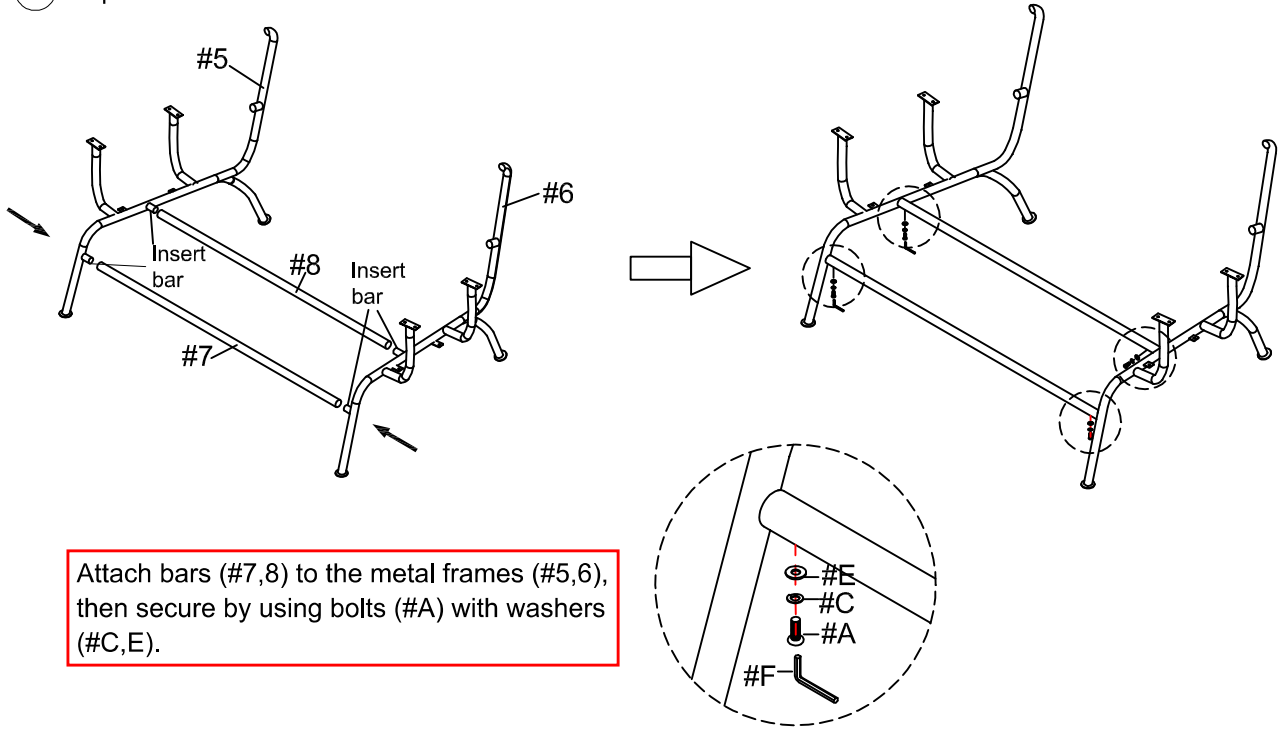


Plug 1/4" x 5/8"

# ASSEMBLY INSTRUCTIONS

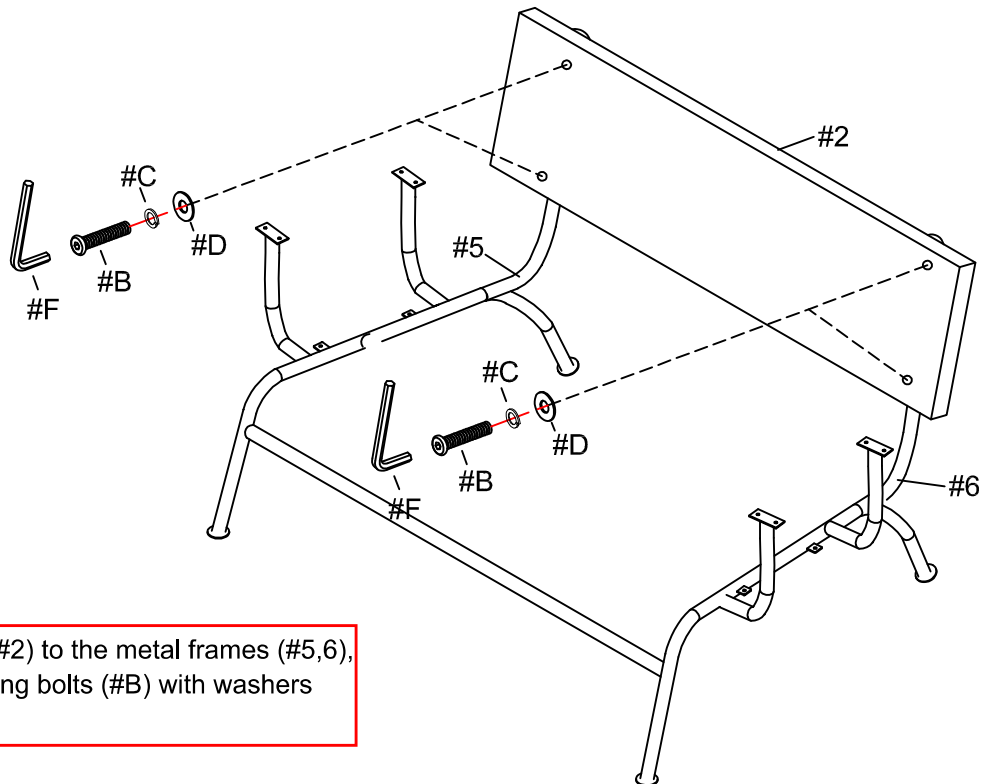
# 1

- Part #5 x 1pc Hardware #A x 4pcs
- Part #6 x 1pc Hardware #C x 4pcs
- Part #7 x 1pc Hardware #E x 4pcs
- Part #8 x 1pc



# 2

- Part #2 x 1pc
- Hardware #B x 4pcs
- Hardware #C x 4pcs
- Hardware #D x 4pcs



# ASSEMBLY INSTRUCTIONS

## 3

Part (#3) x 1pc

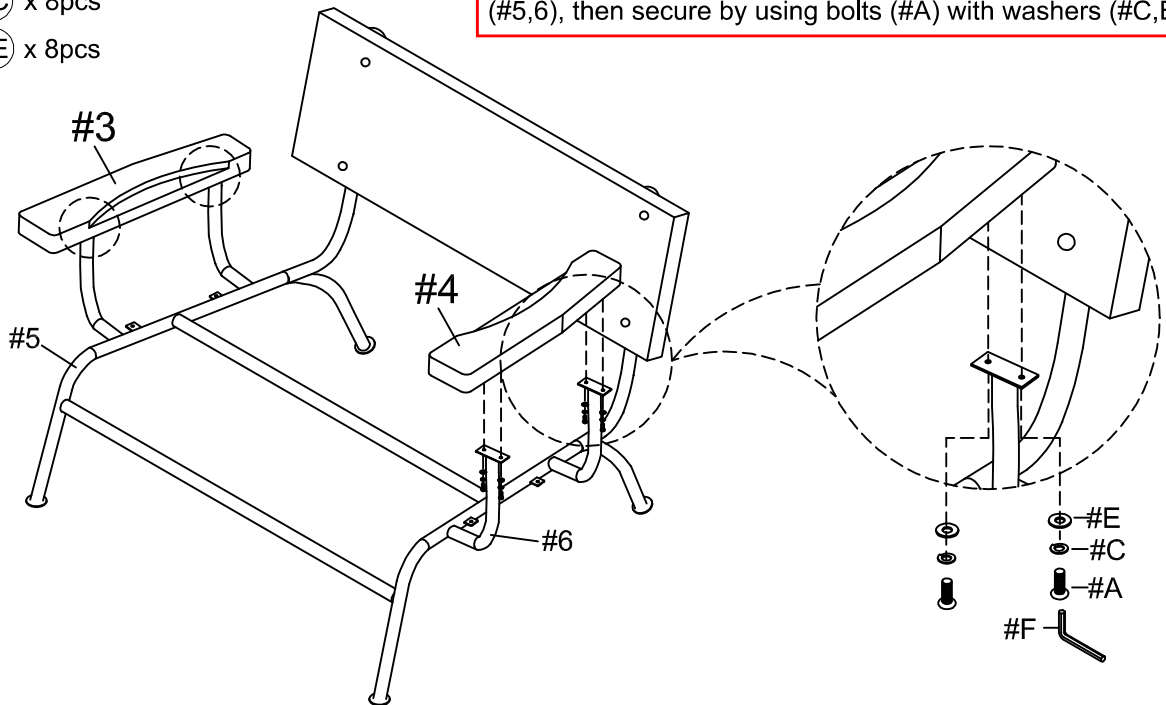
Part (#4) x 1pc

Hardware (#A) x 8pcs

Hardware (#C) x 8pcs

Hardware (#E) x 8pcs

Align left and right wood arms (#3,4) to the metal frames (#5,6), then secure by using bolts (#A) with washers (#C,E).



## 4

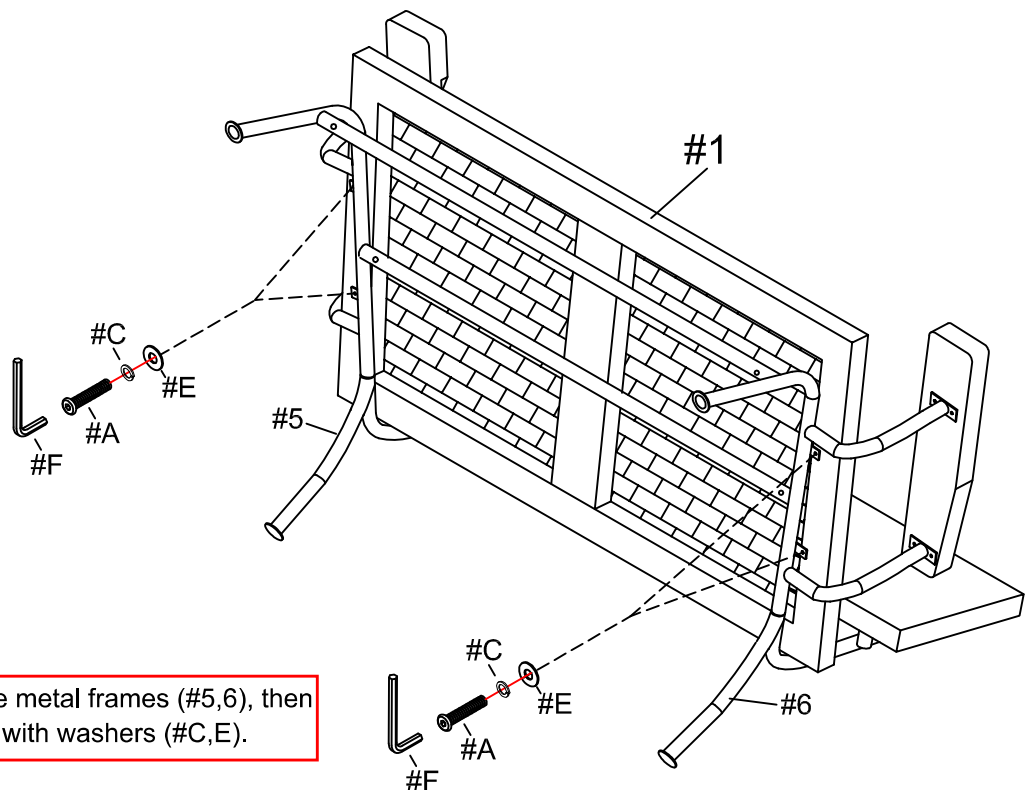
Part (#1) x 1pc

Hardware (#A) x 4pcs

Hardware (#C) x 4pcs

Hardware (#E) x 4pcs

Align seat frame (#1) to the metal frames (#5,6), then secure by using bolts (#A) with washers (#C,E).

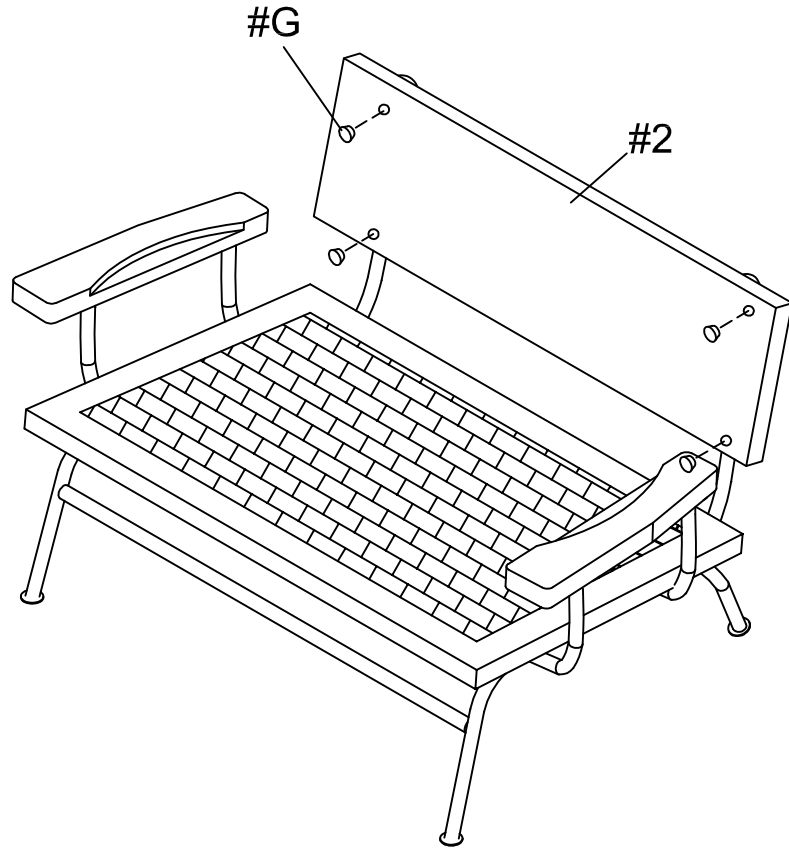


# ASSEMBLY INSTRUCTIONS

Insert plugs (#G) to back panel (#2) holes.

## 5

Hardware #G x 4pcs

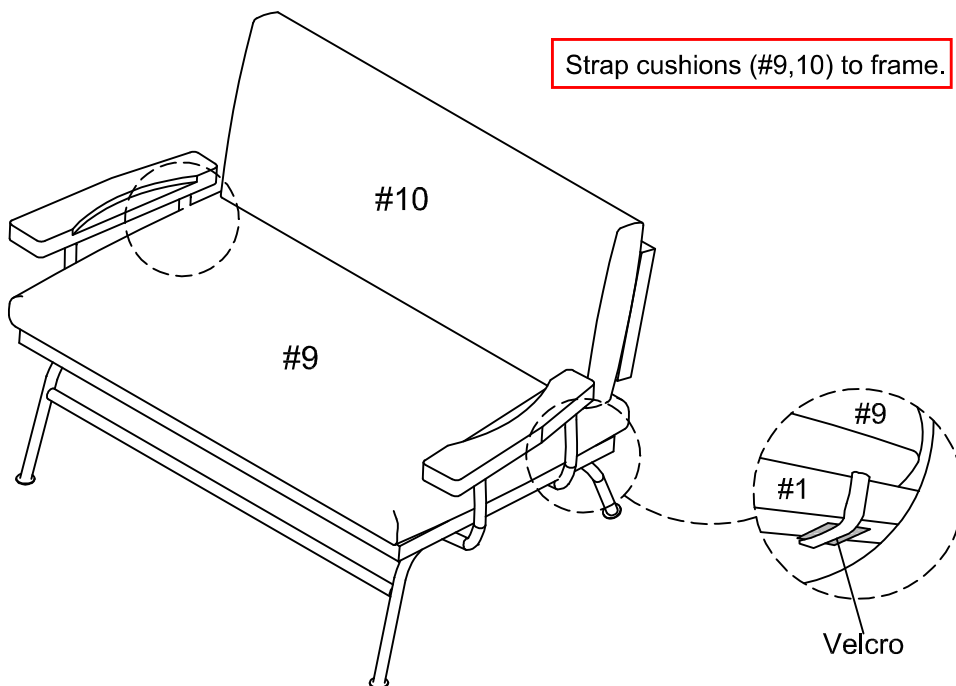


## 6

Part #9 x 1pc

Part #10 x 1pc

Strap cushions (#9,10) to frame.



## ASSEMBLY COMPLETED



Please ensure the furniture rests on an even and flat surface. If the product wobbles or feels loose, double-check all bolts and/or screws are properly tightened and secured.



### Keep this handy!

Please retain this instruction manual and any order-related information for future reference.



### Lift, don't drag!

To avoid damage to product please always LIFT the product when transporting or adjusting the placement.