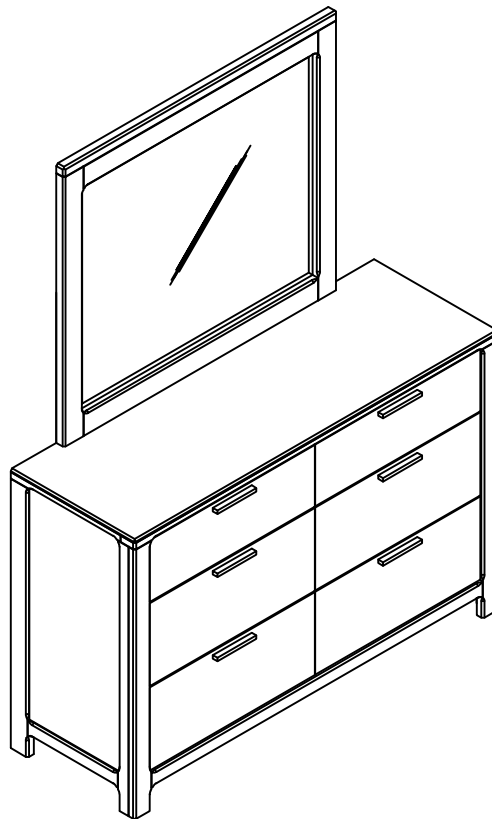


# Assembly Instructions

CM7576D


CM7576M



DRESSER AND MIRROR ARE SOLD AND PACKED SEPARATELY

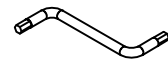
## ASSEMBLY RATING

The Assembly Rating is a 5-point system that shows the degree of effort needed in assembling a specific product (with 1 being easy and 5 being difficult). For some products, two persons are recommended.

EASY  DIFFICULT

Tools Required For Assembly:

Allen Wrench



(Included)

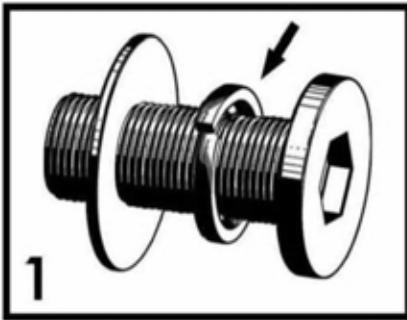


2 PERSONS RECOMMENDED

## ASSEMBLY & CARE ADVICE

FOR YOUR FURNITURE TO LAST, CORRECT ASSEMBLY AND PROPER MAINTENANCE ARE NECESSARY. PLEASE FOLLOW THE INFORMATION PROVIDED BELOW TO FULLY ENJOY YOUR FURNITURE.

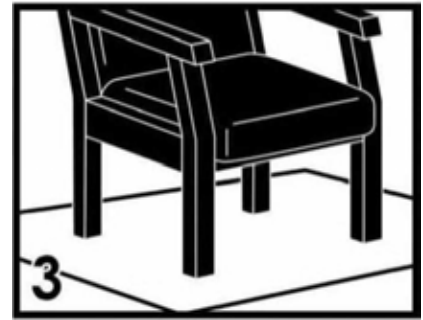
### BASIC ASSEMBLY TECHNIQUES



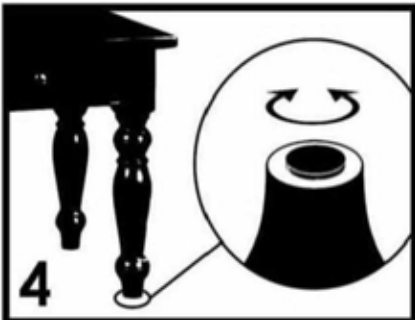
When lock or spring washer is used in an assembly, please make sure the lock or spring washer is placed between the larger flat washer and the head of the screw or bolt.



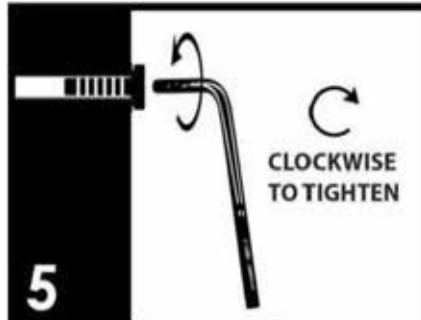
Position each part correctly and insert screws or bolts into their respective holes by hand tighten or using the proper hand tool. Only tighten when step is completed or when instructed to do so.



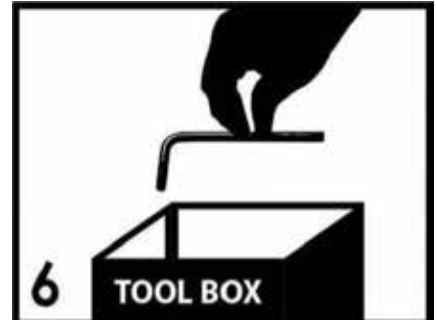
Use cardboard or carpet area when assembling furniture to prevent scratches. Make sure the furniture rests on a flat and level surface with each leg evenly touching the floor.



Some furniture comes with height adjustment knobs underneath each leg. To lower or to raise each leg, you need to turn clockwise or counterclockwise, respectively.

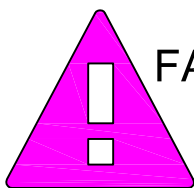


Make sure all parts are properly aligned, then use the appropriate hand tool to completely tighten the bolts or screws. Do not use power tools and do not overtighten.



Save the instructions and store the Allen wrench or any supplied tool for later maintenance. After two weeks, check and tighten any loose hardware and repeat again every six months thereafter.

IT IS THE USER'S RESPONSIBILITY TO MAINTAIN THE FURNITURE. THE HARDWARE MAY LOOSEN OVER TIME AND MAY CAUSE THE FURNITURE TO BE WOBBLY AND UNABLE TO SUPPORT ITS INTENDED WEIGHT CAPACITY. THIS MAY LEAD TO COLLAPSE AND MAY CAUSE SERIOUS INJURY.



**FAILURE TO FOLLOW THE GUIDELINES ABOVE MAY RESULT IN INJURY AND/OR PROPERTY DAMAGE.**



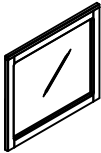
Before you begin, please read Page 2 of "Assembly and Care Advice".

And remember, do not tighten until each step is completed or instructed.

### Parts List



#1 x 1 pc  
Dresser

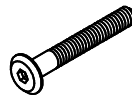


#2 x 1 pc  
Mirror

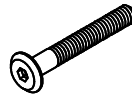


#3 x 2 pcs  
Support Rail

### Hardware List



#A x 4 pcs  
Bolt 1/4" x 1-3/8"



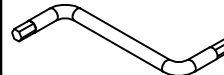
#B x 4 pcs  
Bolt 1/4" x 2"



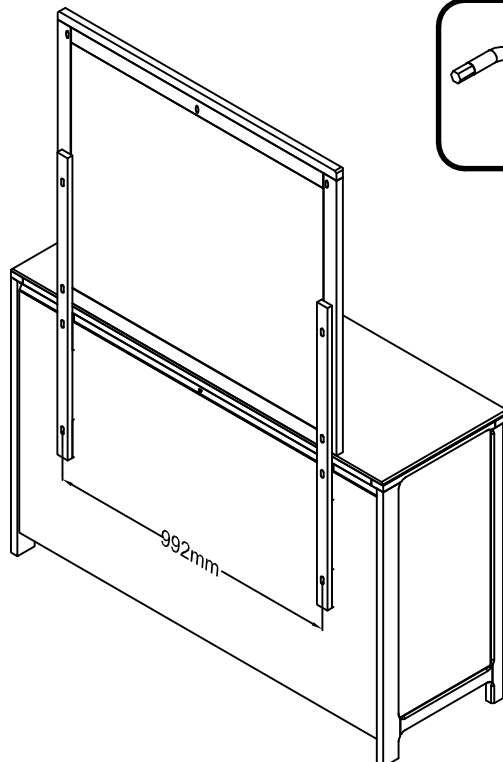
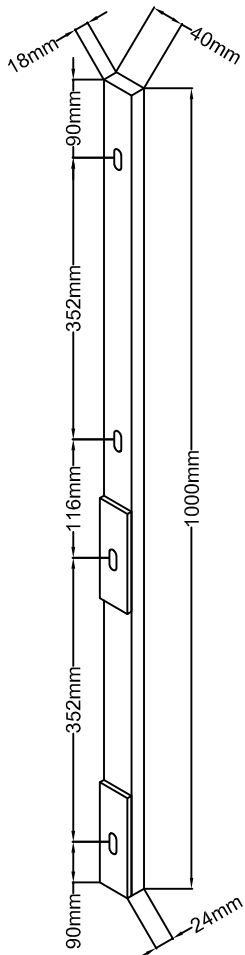
#C x 8 pcs  
Lock Washer



#D x 8 pcs  
Flat Washer

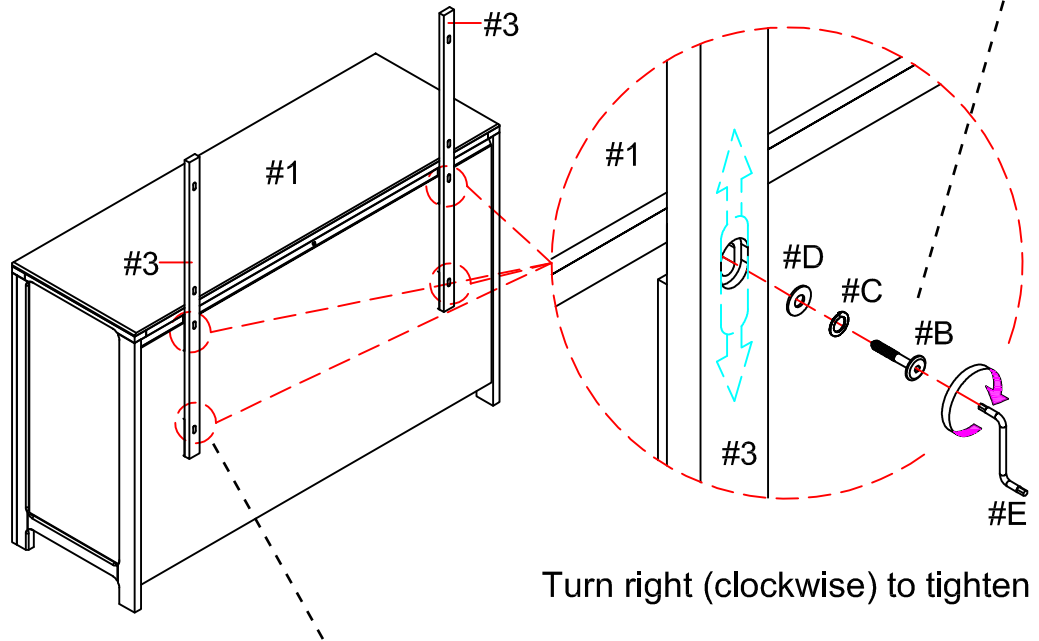


#E x 1 pc  
Allen Wrench





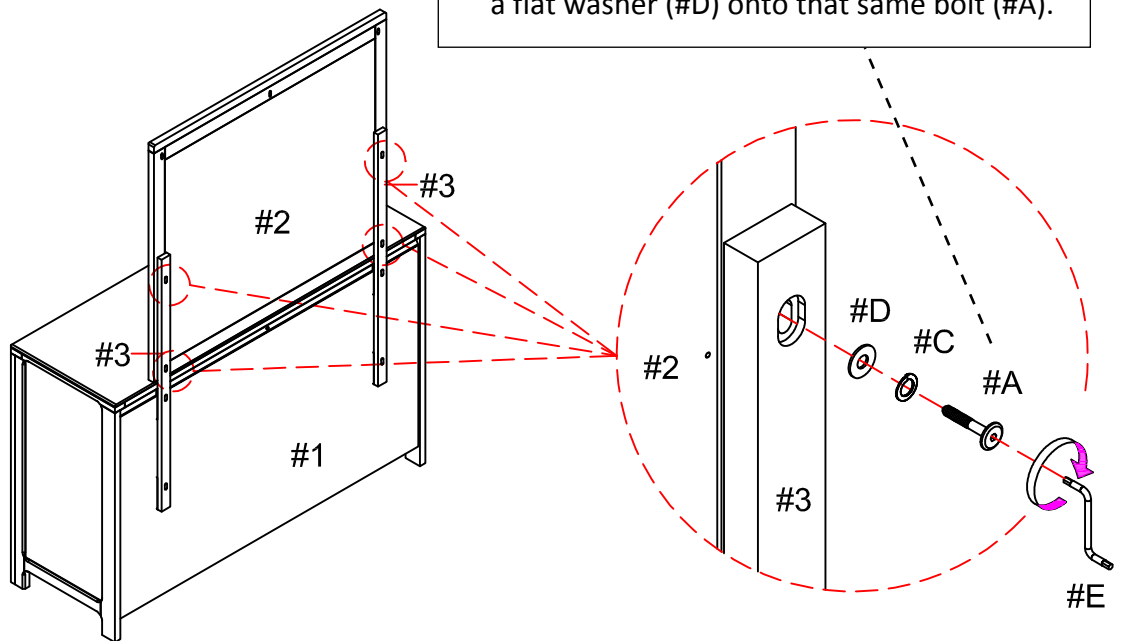
#B x 4 pcs  
 #C x 4 pcs  
 #D x 4 pcs



2. Align the support rails (#3) to the dresser (#1), then insert the bolts into the holes and secure using the Allen wrench (#E).



#A x 4 pcs  
 #C x 4 pcs  
 #D x 4 pcs



2. Align the mirror (#2) to the support rails (#3), then insert the bolts into the holes and secure using the Allen wrench (#E).

ASSEMBLY IS COMPLETED