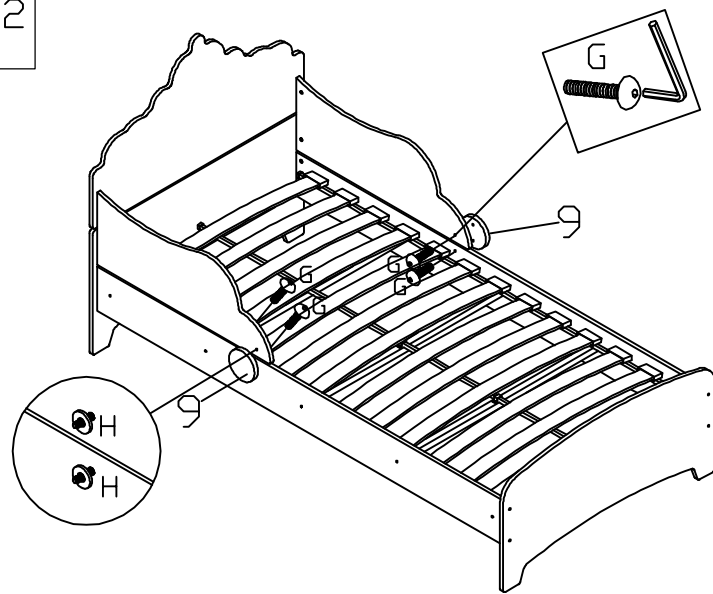


13



G



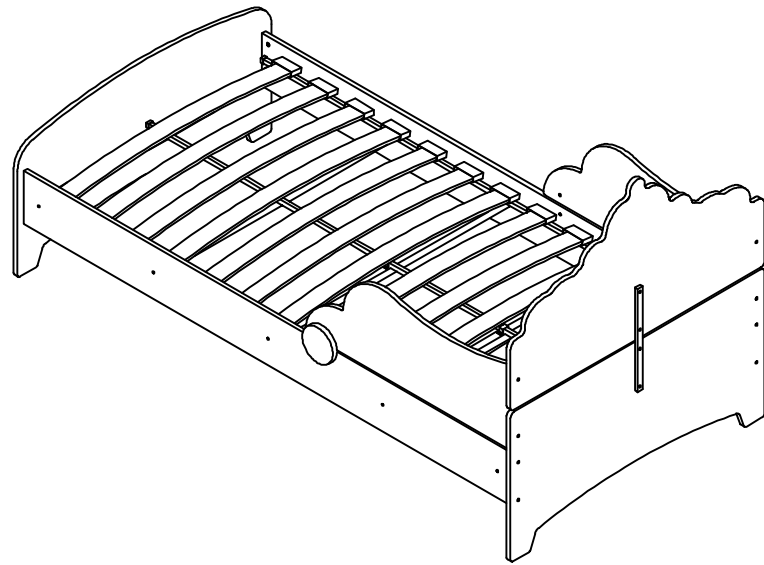
M6*25
QTY:4

H

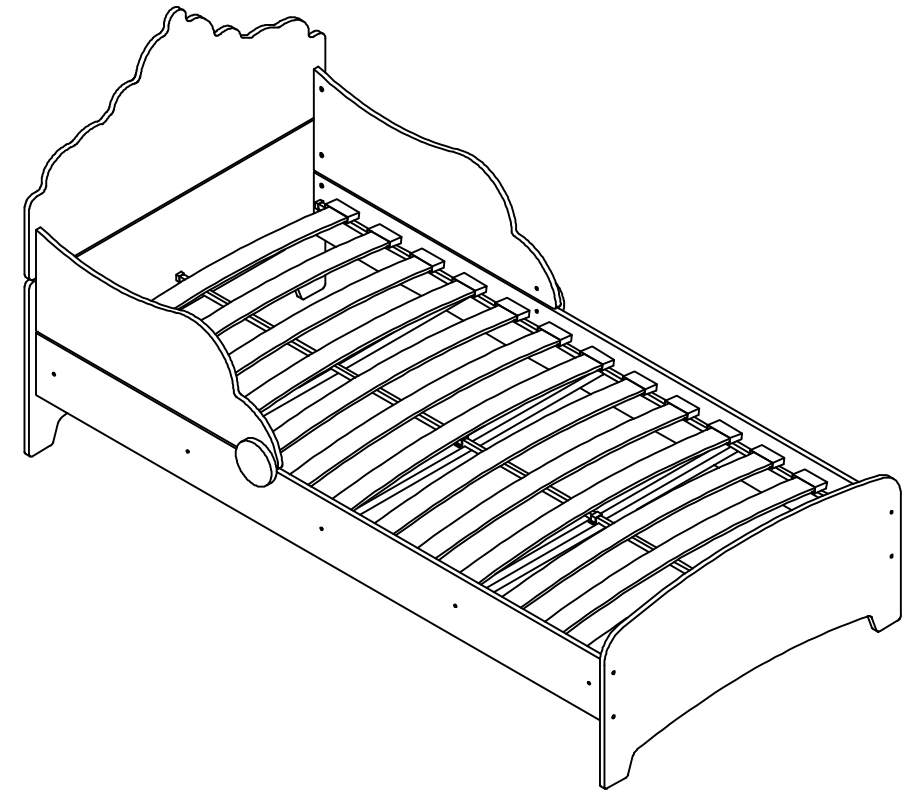


QTY:4

14

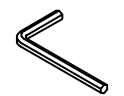
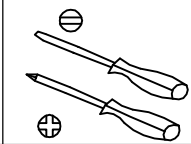
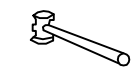


MODEL: CM7632



ASSEMBLE DIFFICULTY

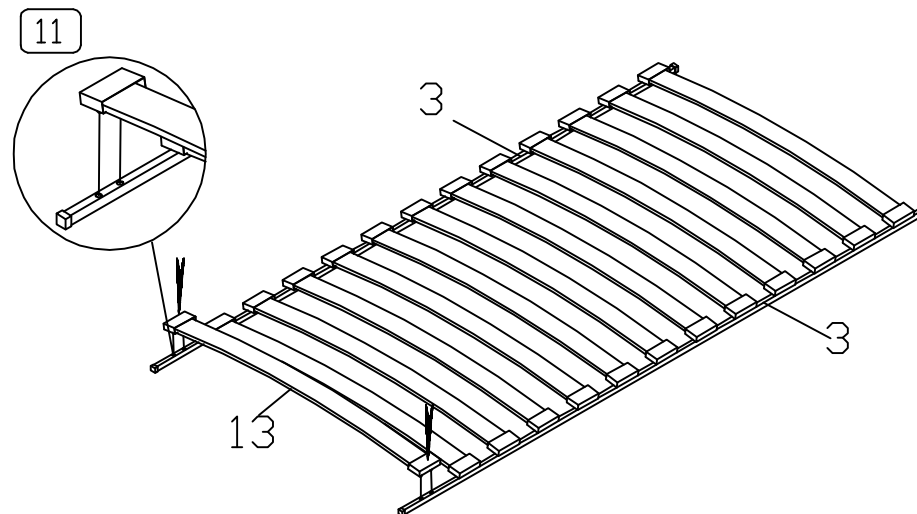
1 2 ③ 4 5



- User Age: 36 Months Or Above.
- Standard Of Paint: EN1725:1998
EN1022:2005
EN71-1:2014
EN71-3:2013+A1:2014

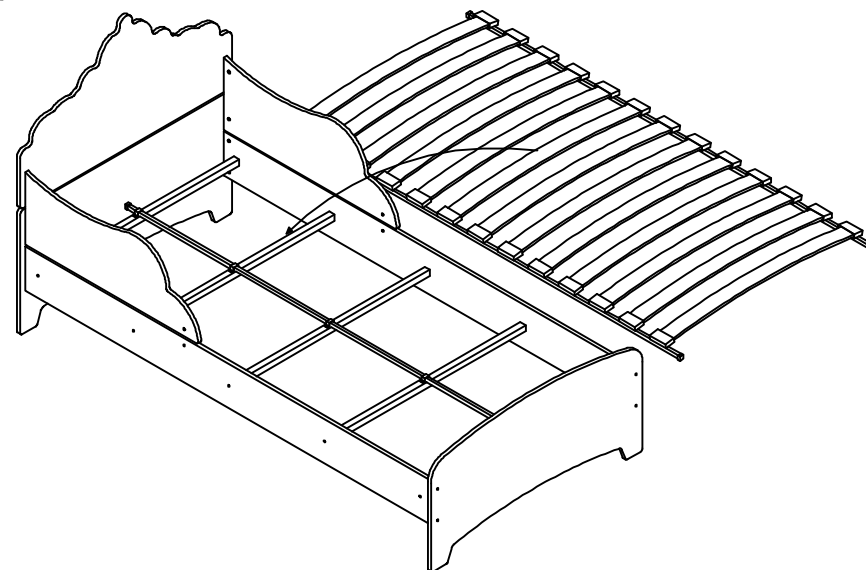
IMPORTANT, RETAIN FOR FUTURE REFERENCE:READ CAREFULLY

- Information regarding maintenance
Use dry, clean & soft cloth rub on the surface regularly; must not use any wet cloth, hardware or any hard material (such as keys, knife, sand-paper) rub on the surface. Keep away from water and any chemical substances.
- Conditions for use of the product domestic
- Installation only to be carried out by a competent person
- Article consists swallowable small parts, children ≤ 3 years should not be without parental guidance (surveillance or monitoring)
- Screw lock must be inserted before joining
- For the safety reason all of the hardware must be screwed tidely.
- This Product must be assembled by adult
- To avoid surface damage, tight all serew must not use over 5Nm power.
- Use only mattress which is 74"-75" long, 37.5"-38.5" wide and 4"-6" height.



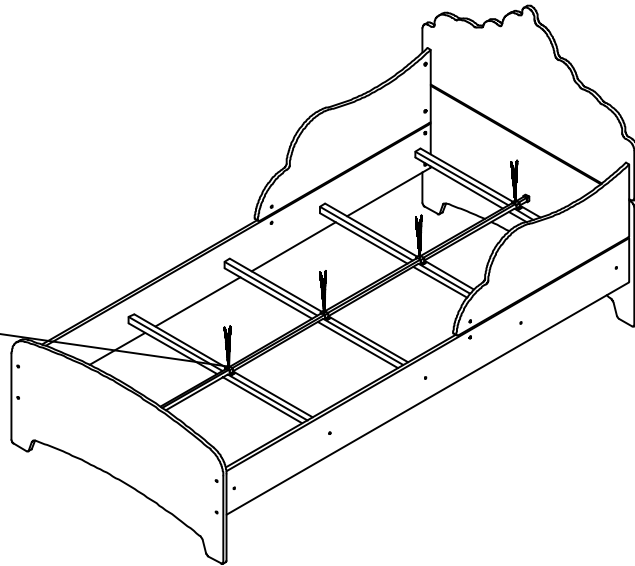
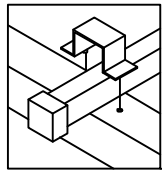
13X

12



10/12

9

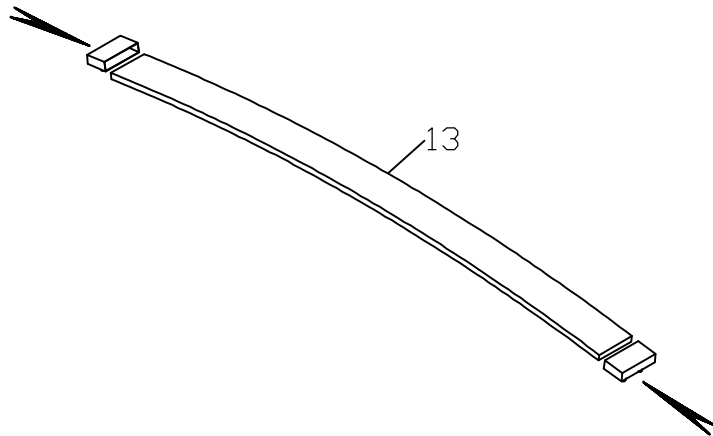


D



QTY:5

10



13X

E



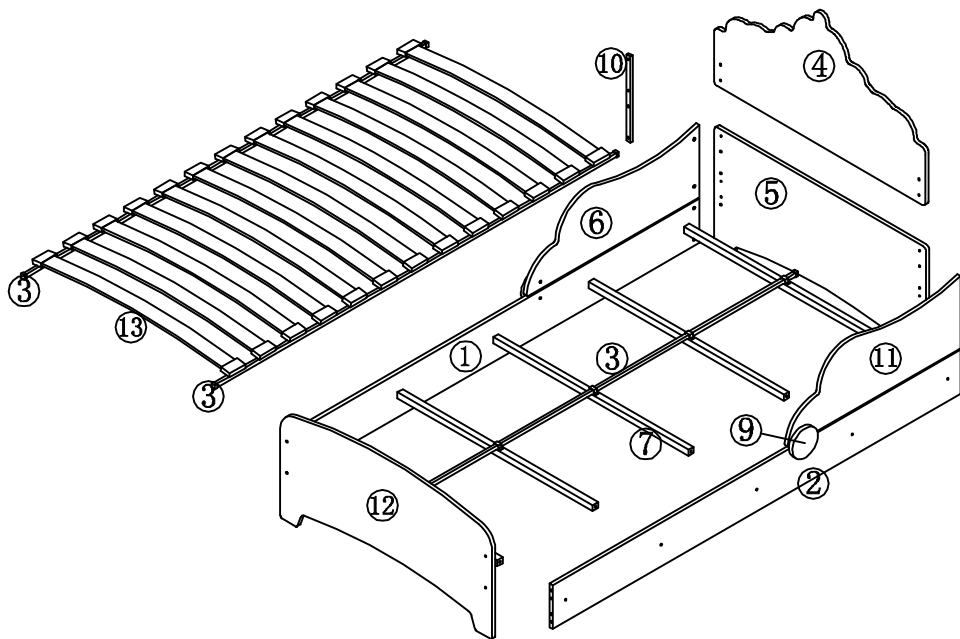
QTY:26

3/12

DESCRIPTION OF COMPONENT

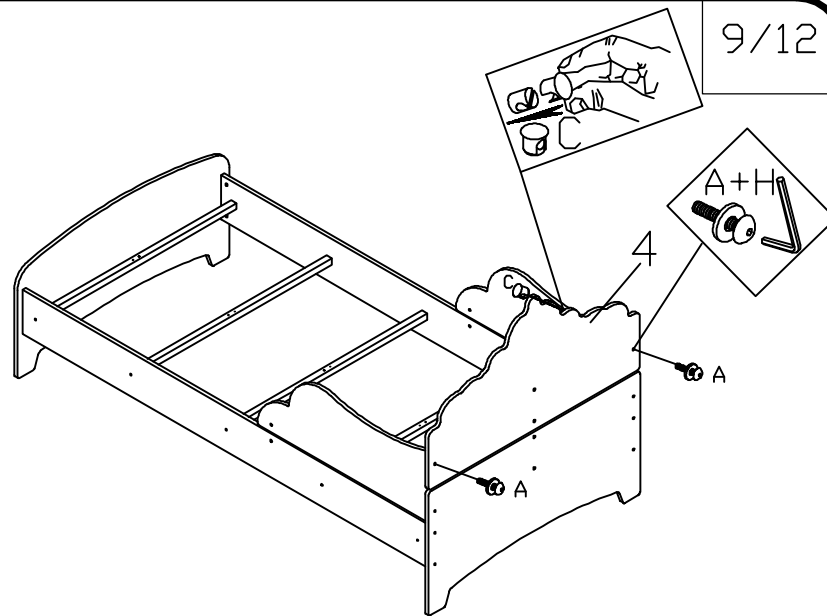
ITEM NO	WORK PIECE DESCRIPTION	MEASUREMENT	QTY	COLOUR	SHAPE	PACK IN BOX
(1)	SIDE PANEL (L)	1920*180*15	1	PINK		1/3
(2)	SIDE PANEL (R)	1920*180*15	1	PINK		1/3
(3)	U SHAPED IRON	1910*15*15	3	SILVER		1/3
(4)	BACK UPPER PANEL	1077*527*15	1	PINK		2/3
(5)	BACK LOWER PANEL	1077*506.1*15	1	PINK		2/3
(6)	GUARD RAIL (L)	814.2*295*15	1	PINK		2/3
(7)	SUPPORT POLE	1000*25*25	5	WHITE		2/3
(8)	HARDWARE	203*158*31	1	-		2/3
(9)	WHEEL COVER	120*120*5	2	PINK		2/3
(10)	SMALL SQUARE PIPE	350.4*20*10	1	WHITE		2/3
(11)	GUARD RAIL (R)	814*295*15	1	PINK		2/3
(12)	FRONT PANEL	1077*475*15	1	PINK		2/3
(13)	PLYWOOD SLAT	995*62*12	13	WHITE		3/3

MODEL:CM7632 (1000*1920)



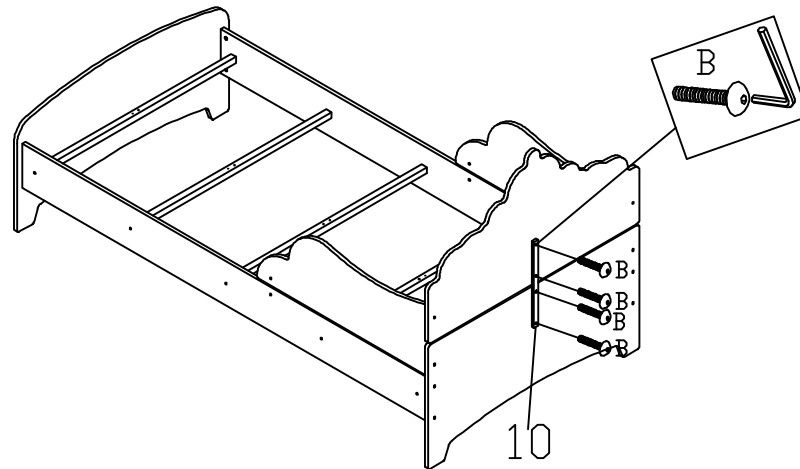
A	B	C	D	E	F	G	H
M6*50 QTY:22	M6*20 QTY:4	QTY:12	QTY:5	QTY:26	∅6*30 QTY:12	M6*25 QTY:4	QTY:26

7



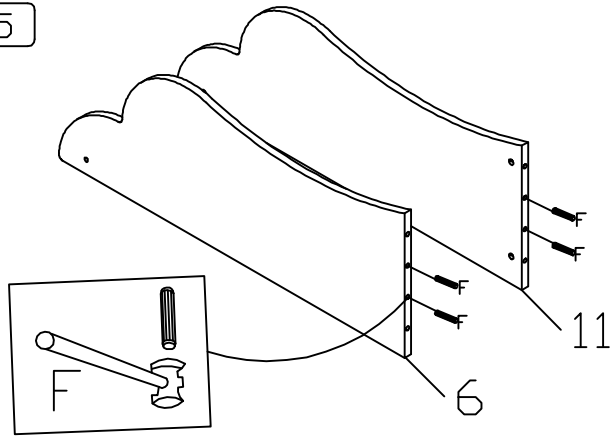
A		M6*50 QTY:2	C		QTY:2	H		QTY:2
---	--	----------------	---	--	-------	---	--	-------


8



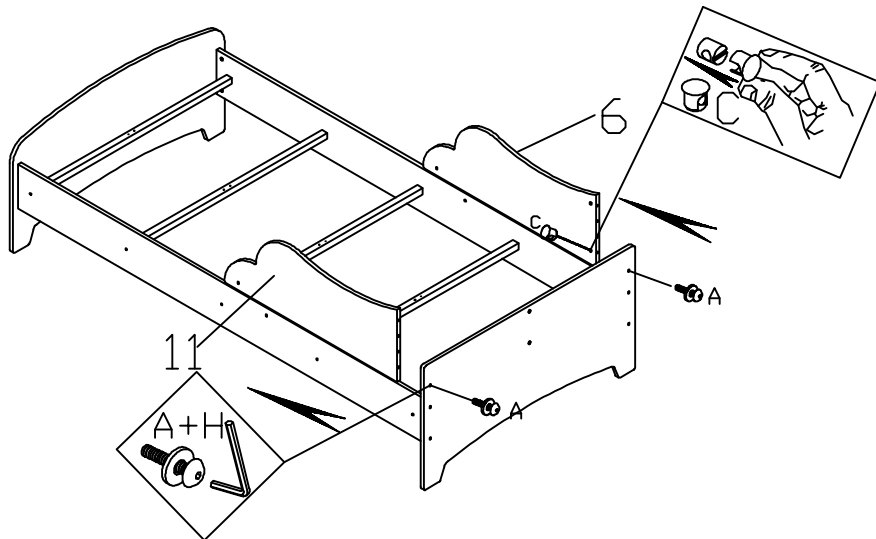
B		M6*20 QTY:4
---	--	----------------


5




F  d6*30
QTY:8

6

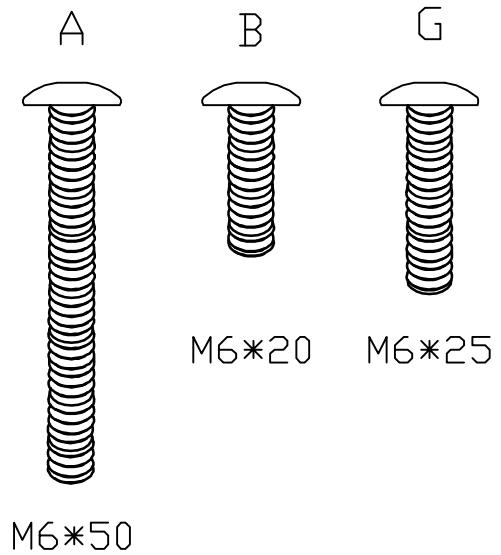


A  M6*50
QTY:2

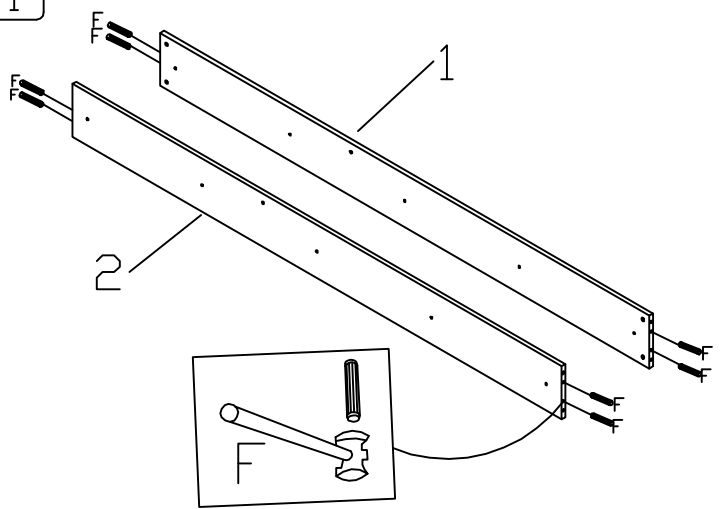
C  QTY:2

H  QTY:2

SCALE 1:1

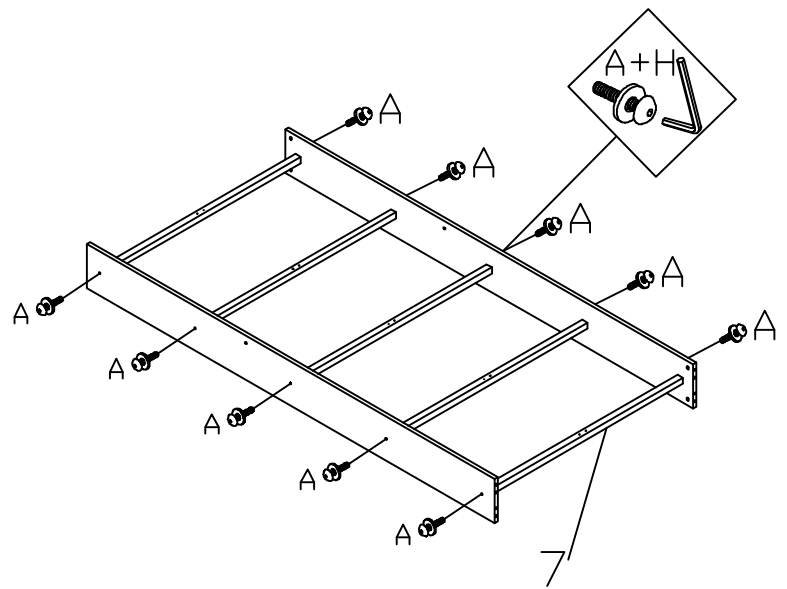



1



F  d6*30
QTY:8

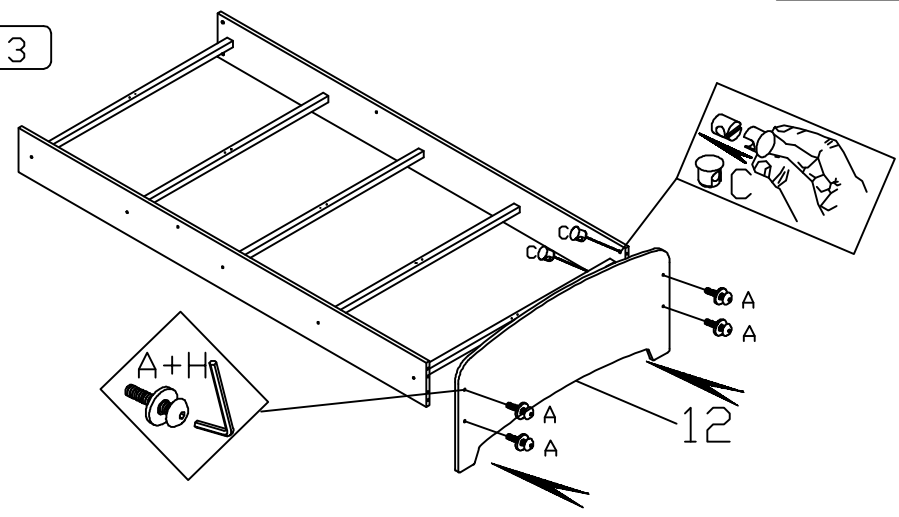
2



A  M6*50
QTY:10

H  QTY:10

3

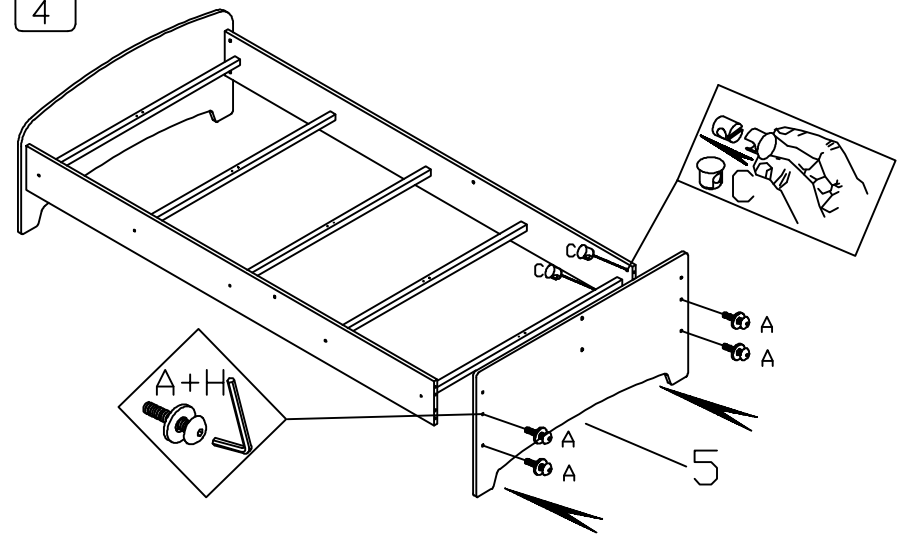


A  M6*50
QTY:4

C  QTY:4

H  QTY:4

4



A  M6*50
QTY:4

C  QTY:4

H  QTY:4