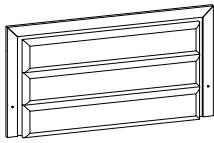
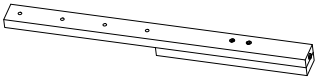
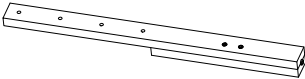
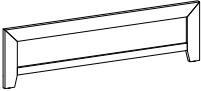
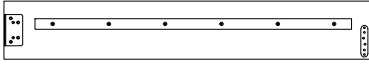
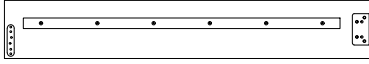

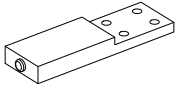
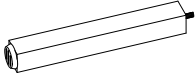
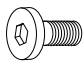
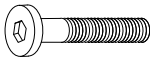
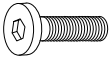

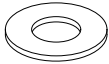





LUCCIA-WHITE-FBQB W-LED ASSEMBLY INSTRUCTION

PART LIST

A	HEADBOARD		1 PC
B	HEADBOARD LEG (R)		1 PC
C	HEADBOARD LEG (L)		1 PC
D	FOOTBOARD		1 PC
E	SIDERAIL (i)		2 PCS
F	SIDERAIL (ii)		2 PCS
G	SLAT		4 PCS
H	SIDERAIL SUPPORT LEG		2 PCS
I	SUPPORT LEG		4 PCS

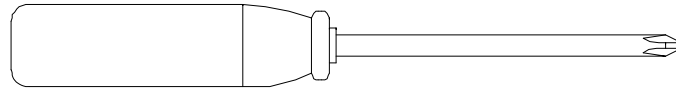
HARDWARE LIST

ITEM	DESCRIPTION	DRAWING	QTY
1	JCBB SCREW M8 x 16MM		8 PCS
2	JCBB SCREW M8 x 35MM		8 PCS
3	JCBB SCREW M8 x 25MM		8 PCS
4	SPRING WASHER M8 x 14MM		16 PCS
5	FLAT WASHER M8 x 22MM		16 PCS
6	SCREW M4 x 32MM		8 PCS
7	ALLEN KEY M5		1 PC
8	PLUG WITH CONNECTOR WIRE		1 PC

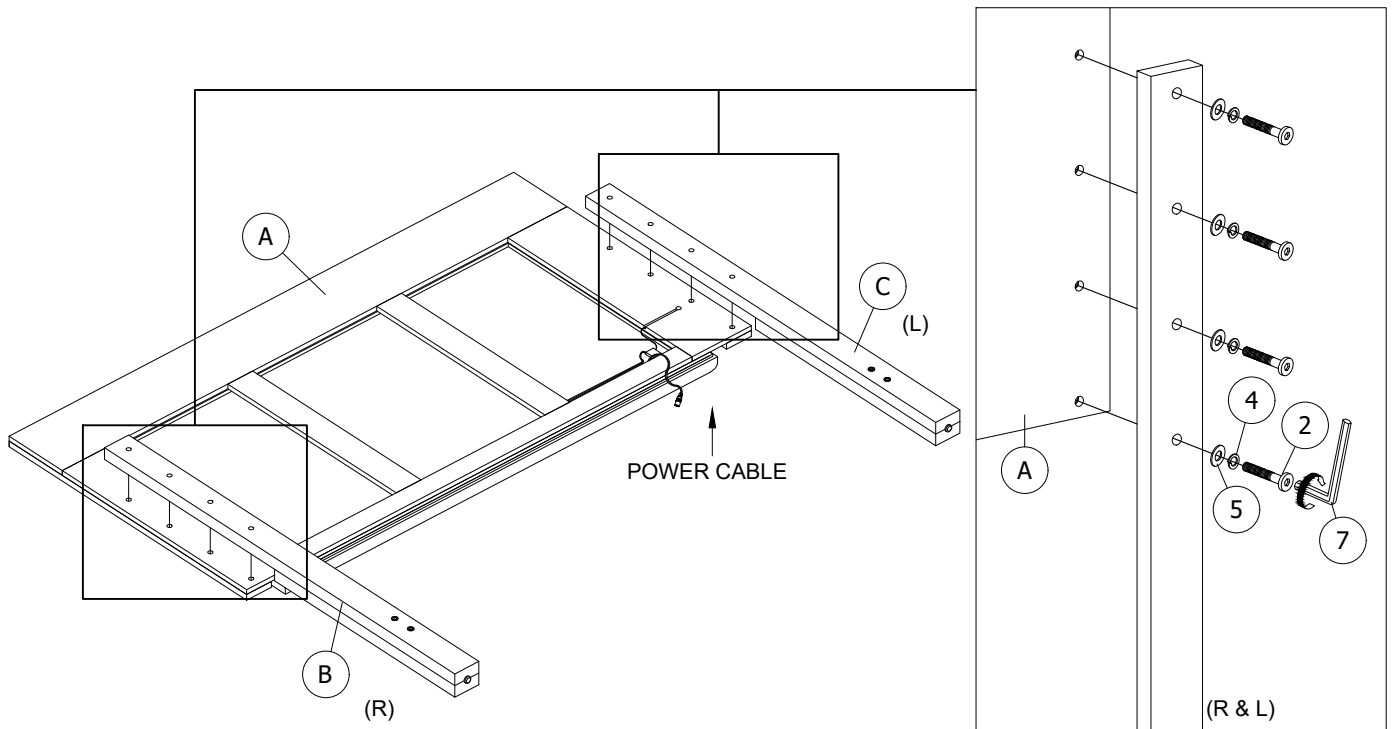
LUCCIA-WHITE-FBQB W-LED ASSEMBLY INSTRUCTION

ASSEMBLY TOOLS REQUIRED

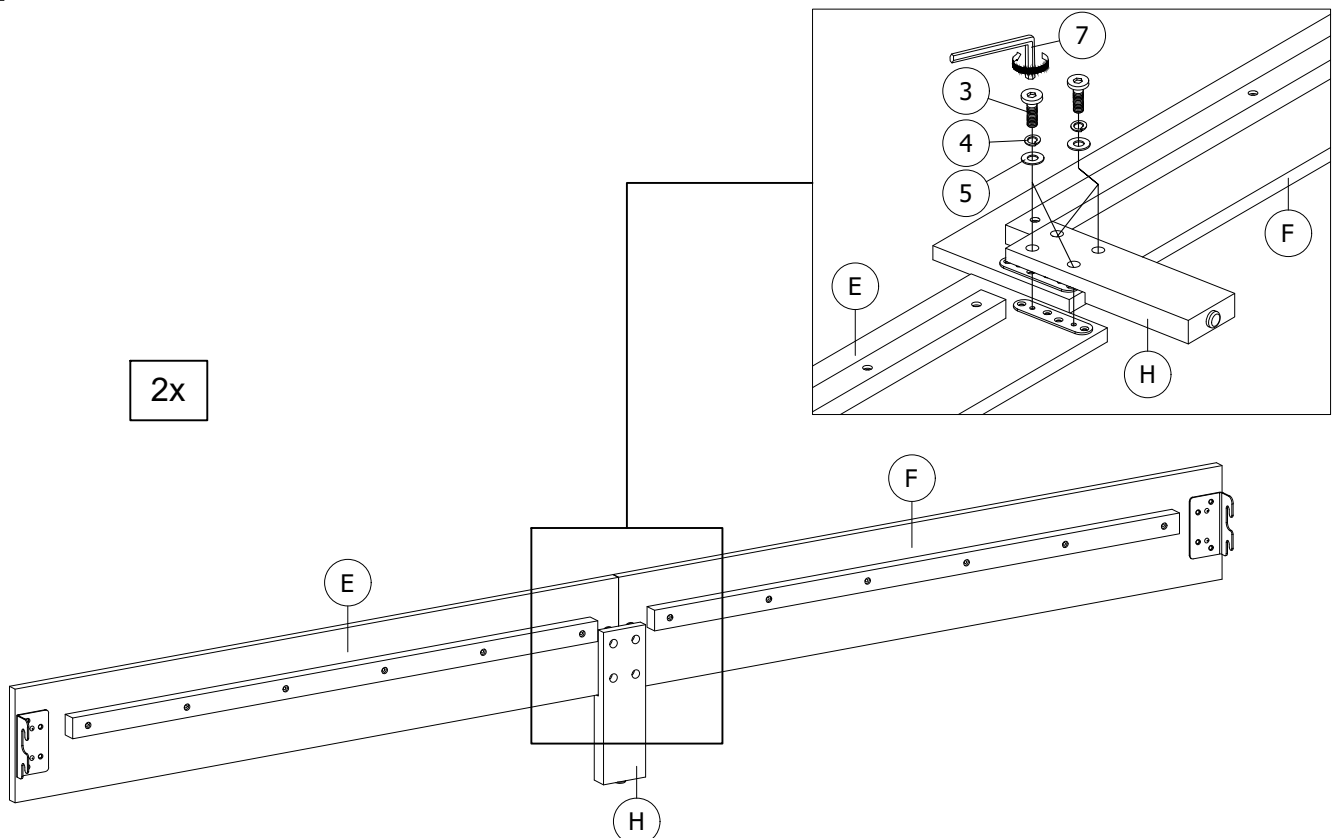
1. Screwdriver (not provide)



STEP 1

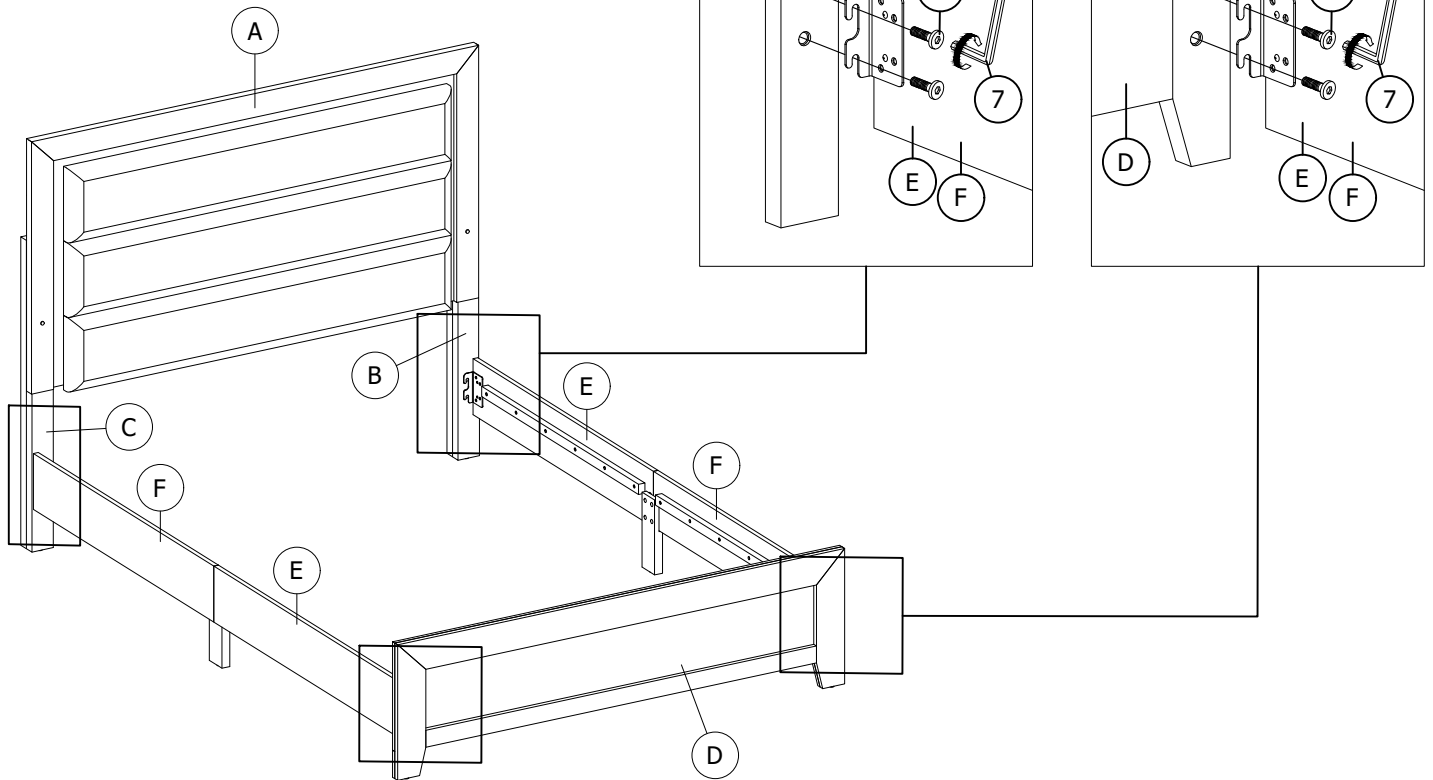


STEP 2

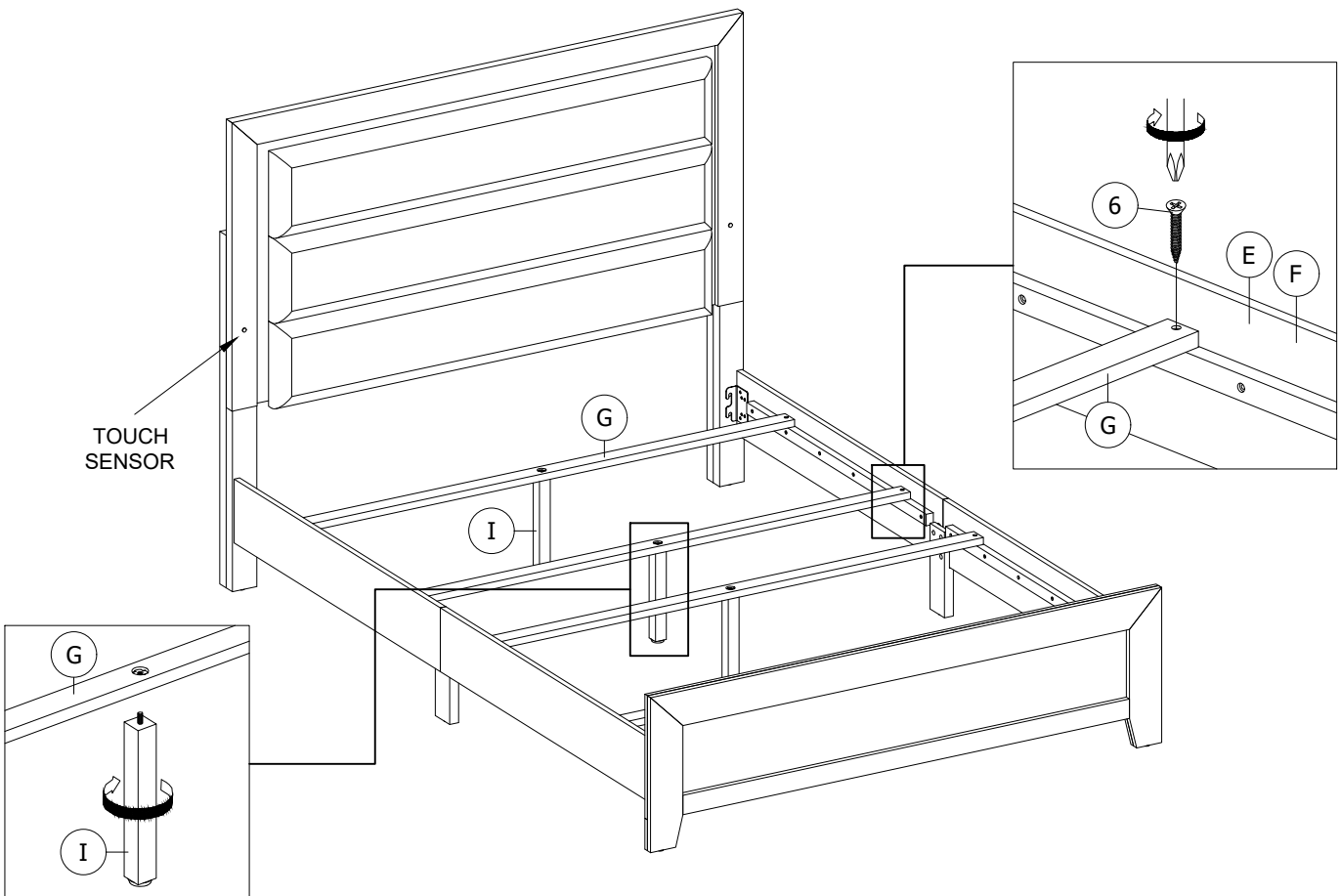


LUCCIA-WHITE-FBQB W-LED ASSEMBLY INSTRUCTION

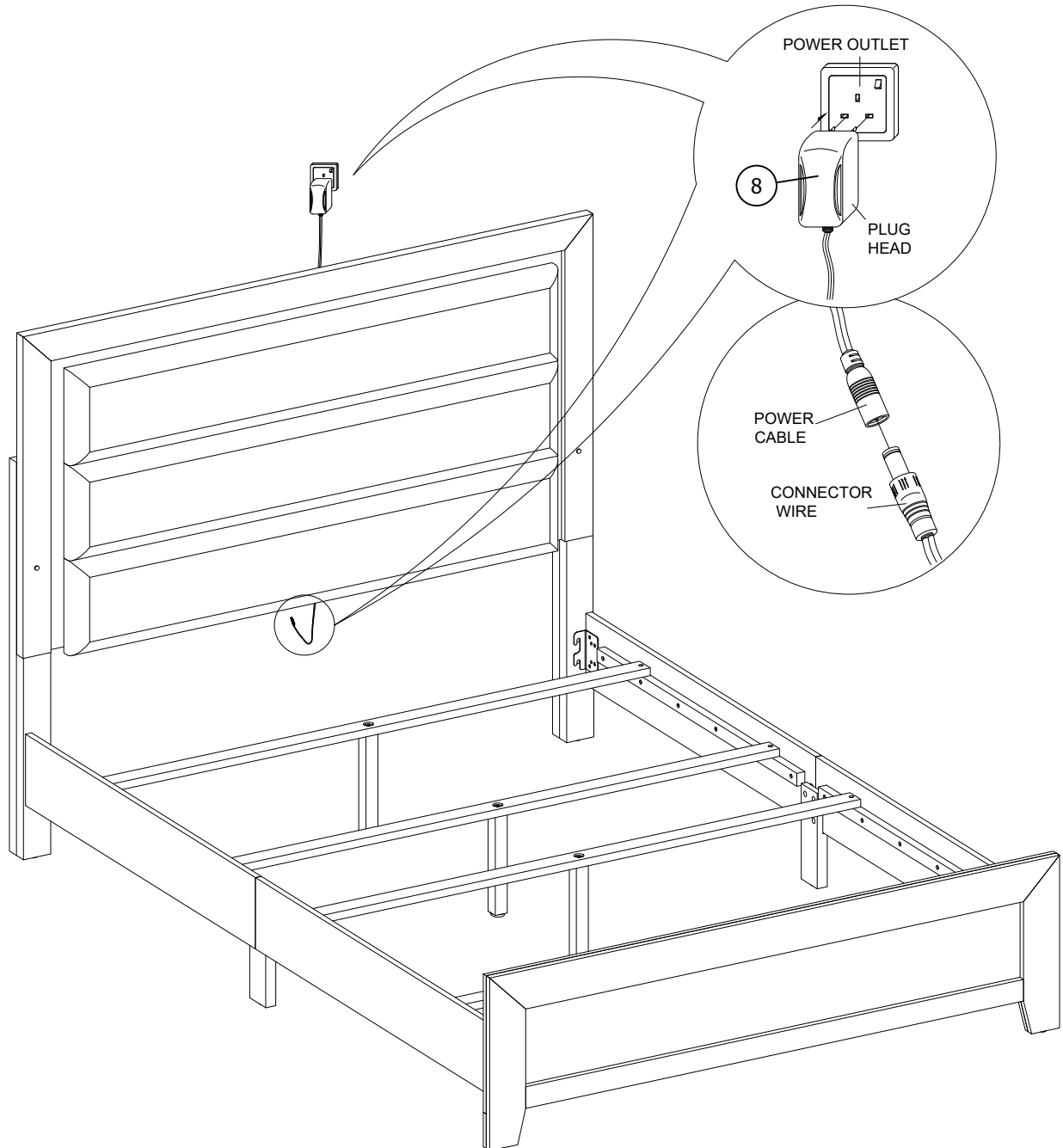
STEP 3



STEP 4



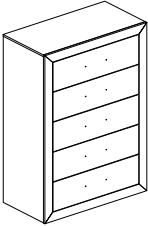
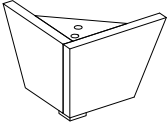
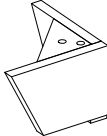
LUCCIA-WHITE-FBQB W-LED ASSEMBLY INSTRUCTION



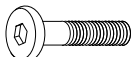





ASSEMBLY COMPLETED

LUCCIA-WHITE-CH ASSEMBLY INSTRUCTION

PART LIST

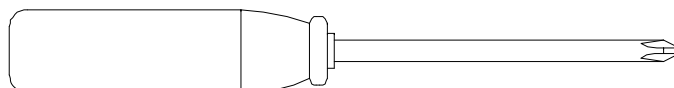
A	CHEST		1 PC
B	LEG (i)		2 PCS
C	LEG (ii)		2 PCS

HARDWARE LIST

ITEM	DESCRIPTION	DRAWING	QTY
1	JCBB SCREW M6 x 40MM		4 PCS
2	SPRING WASHER M6 x 13MM		4 PCS
3	FLAT WASHER M6 x 19MM		4 PCS
4	WOOD DOWEL Ø8 x 30MM		4 PCS
5	ALLEN KEY M4		1 PC
6	TIPPING RESTRAINT		1 SET

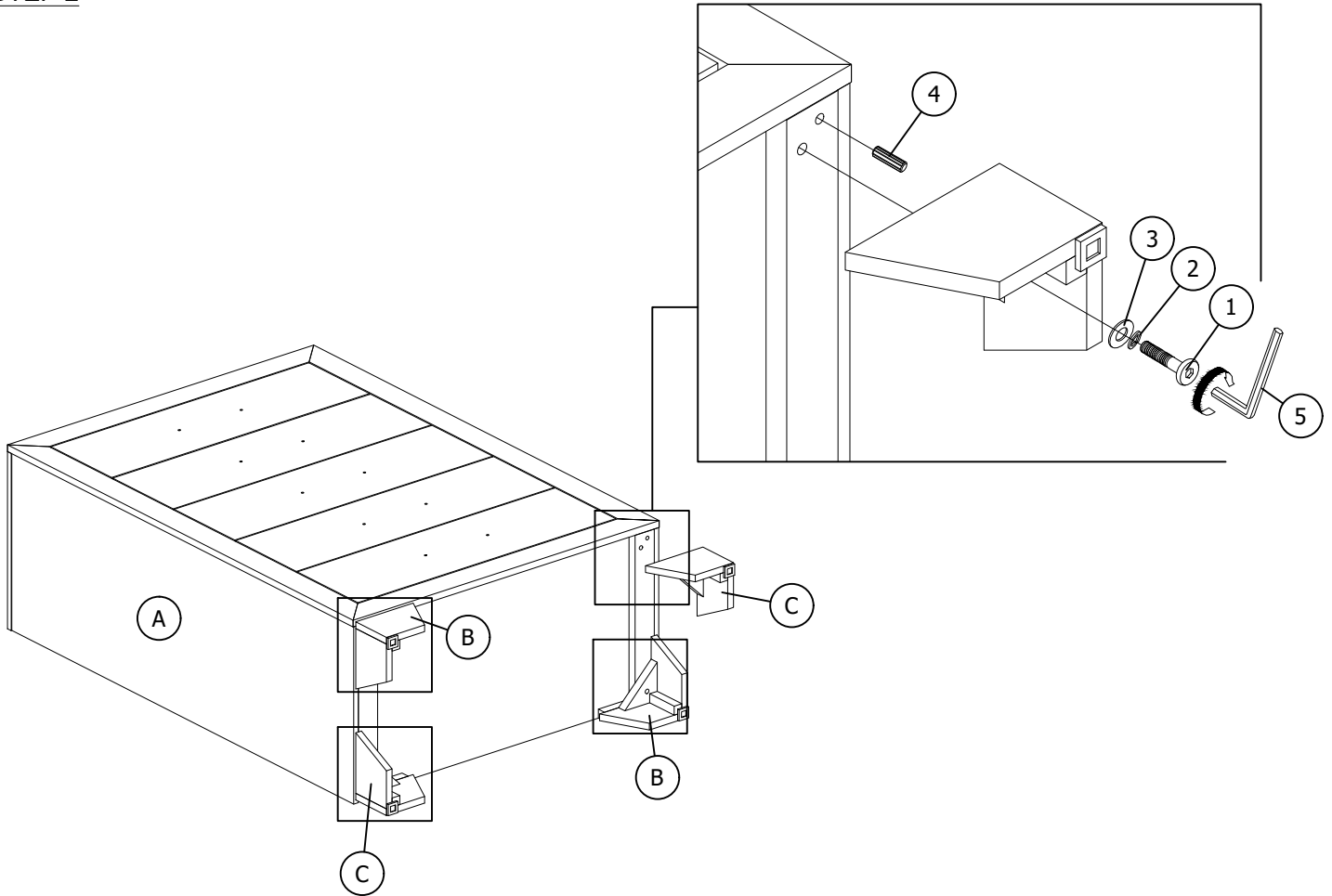
ASSEMBLY TOOLS REQUIRED

1. Screwdriver (not provide)

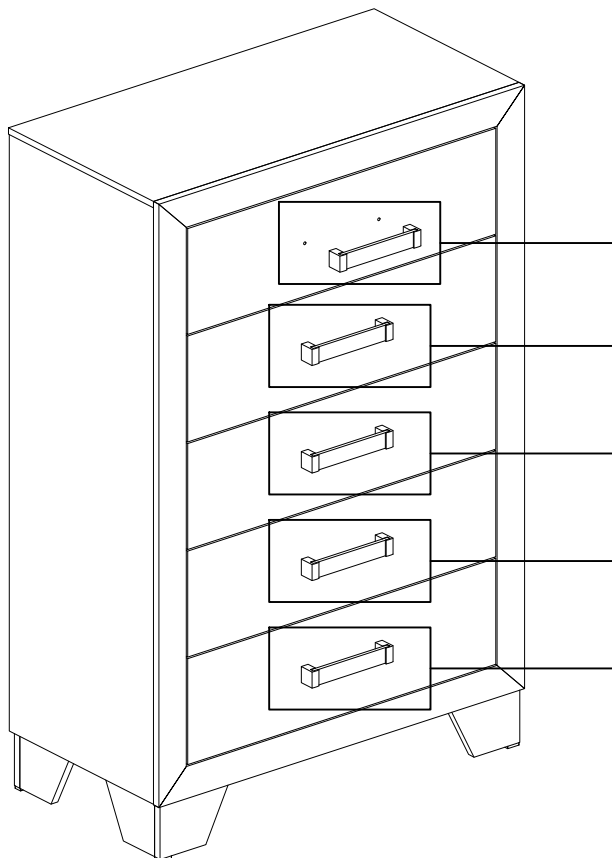


LUCCIA-WHITE-CH ASSEMBLY INSTRUCTION

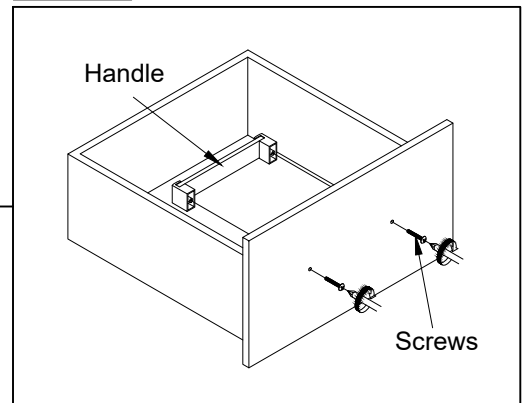
STEP 2



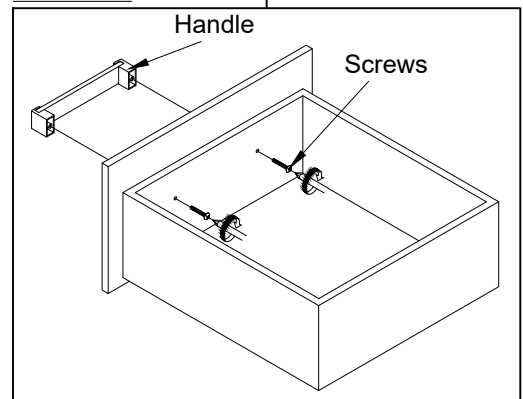
STEP 2



STEP 2.1

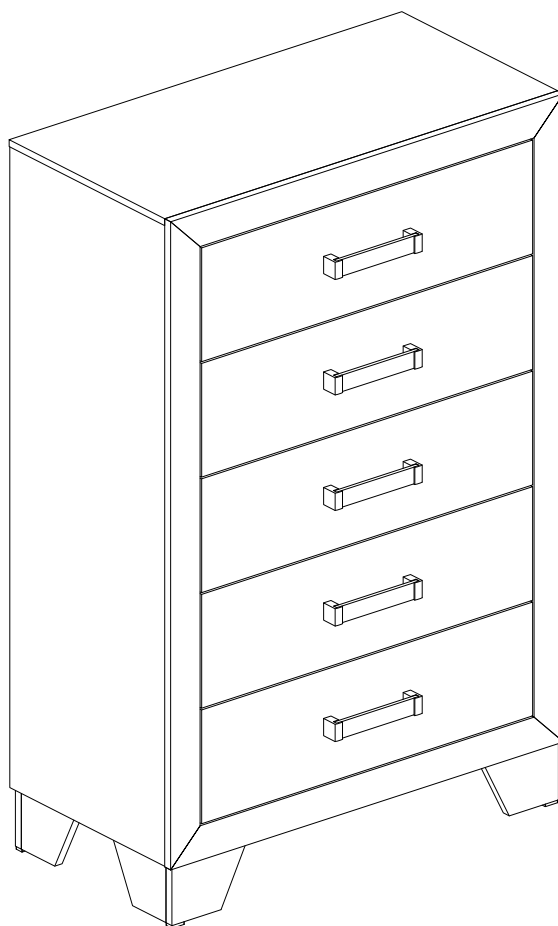
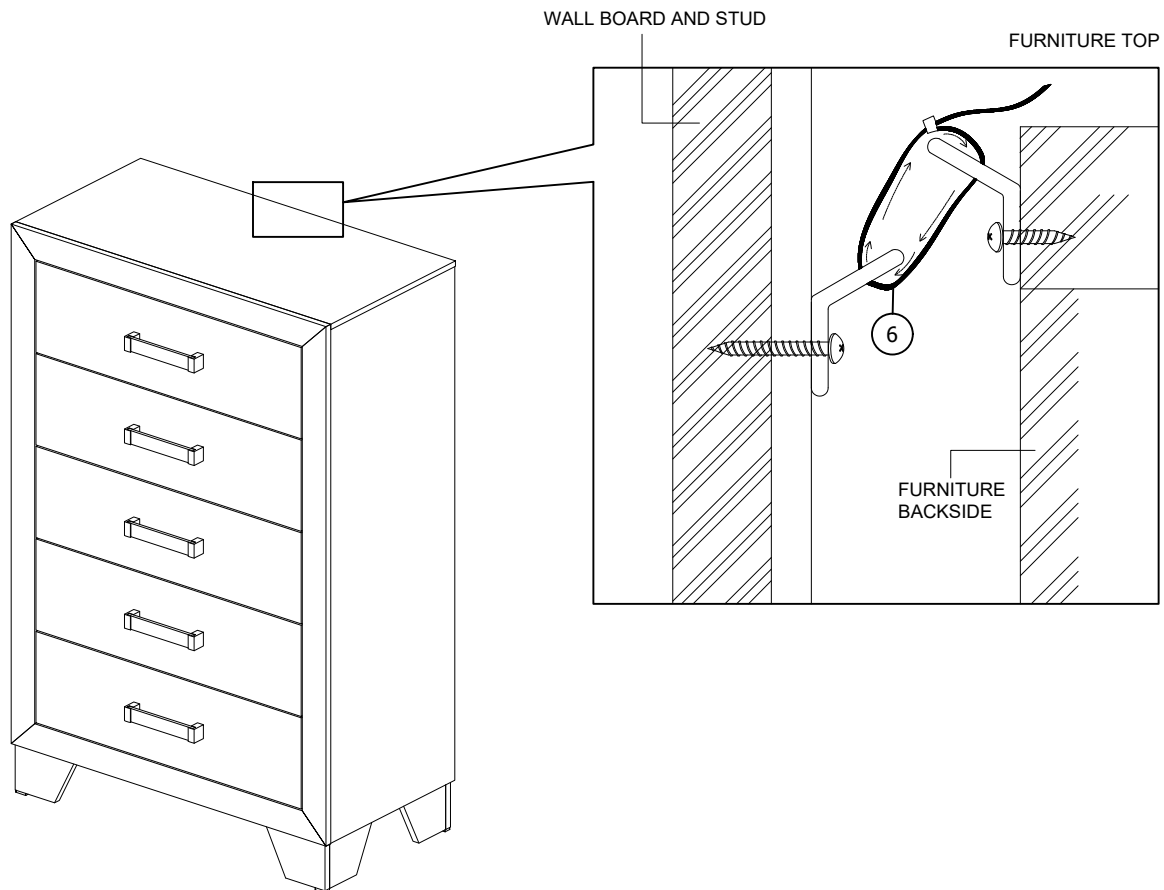


STEP 2.2



LUCCIA-WHITE-CH ASSEMBLY INSTRUCTION

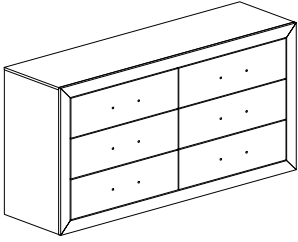
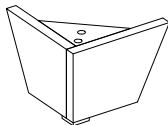
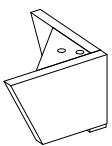

STEP 3



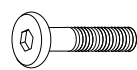





ASSEMBLY COMPLETED

LUCCIA-WHITE-DR ASSEMBLY INSTRUCTION

PART LIST

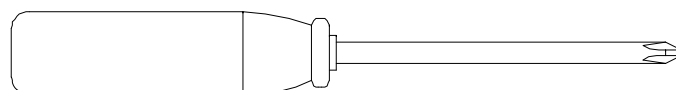
A	DRESSER		1 PC
B	LEG (i)		2 PCS
C	LEG (ii)		2 PCS
D	SUPPORT CENTER LEG		1 PC

HARDWARE LIST

ITEM	DESCRIPTION	DRAWING	QTY
1	JCBB SCREW M6 x 40MM		4 PCS
2	SPRING WASHER M6 x 13MM		4 PCS
3	FLAT WASHER M6 x 19MM		4 PCS
4	WOOD DOWEL Ø8 x 30MM		4 PCS
5	ALLEN KEY M4		1 PC
6	TIPPITNG RESTRAINT		1 SET

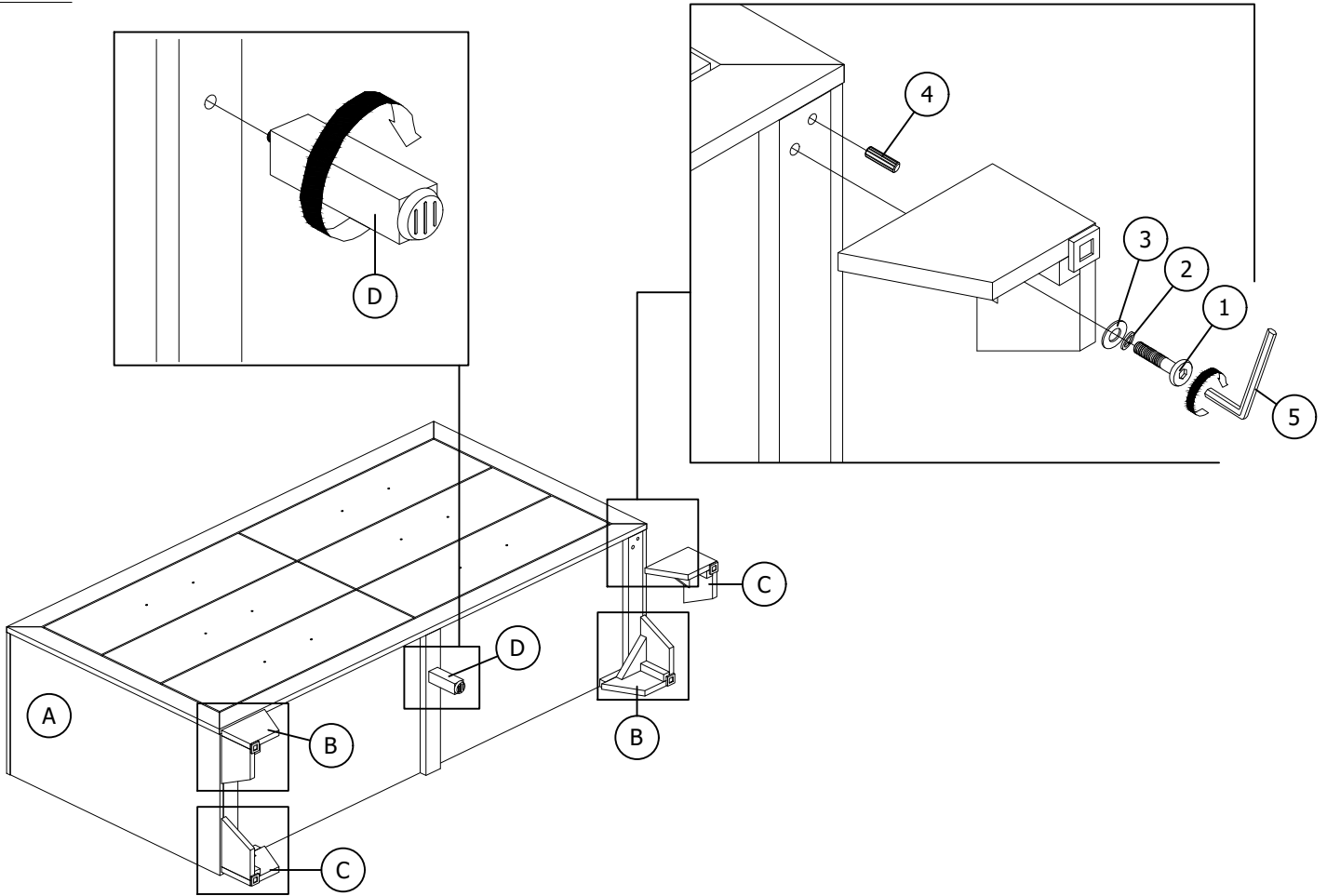
ASSEMBLY TOOLS REQUIRED

1. Screwdriver (not provide)

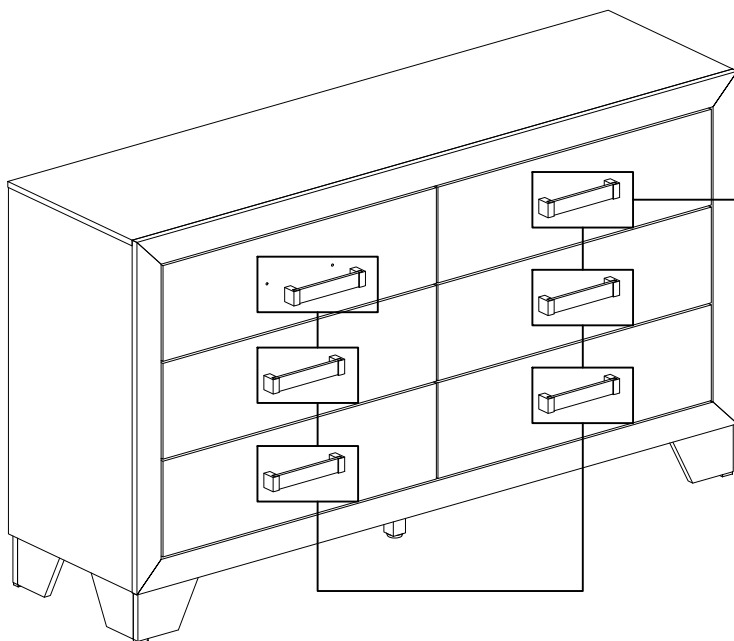


LUCCIA-WHITE-DR ASSEMBLY INSTRUCTION

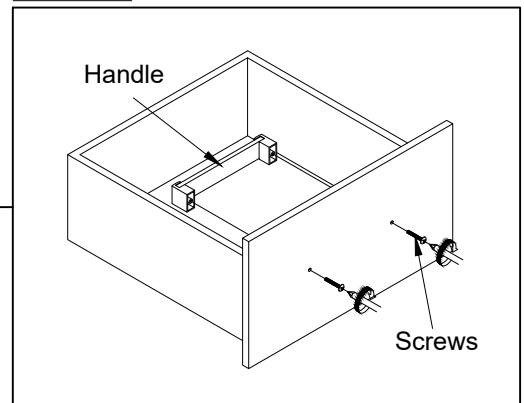
STEP 1



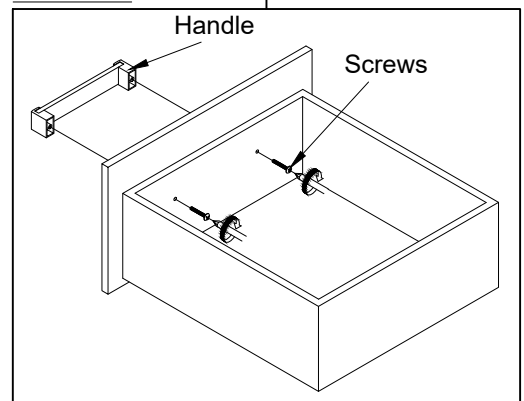
STEP 2



STEP 2.1

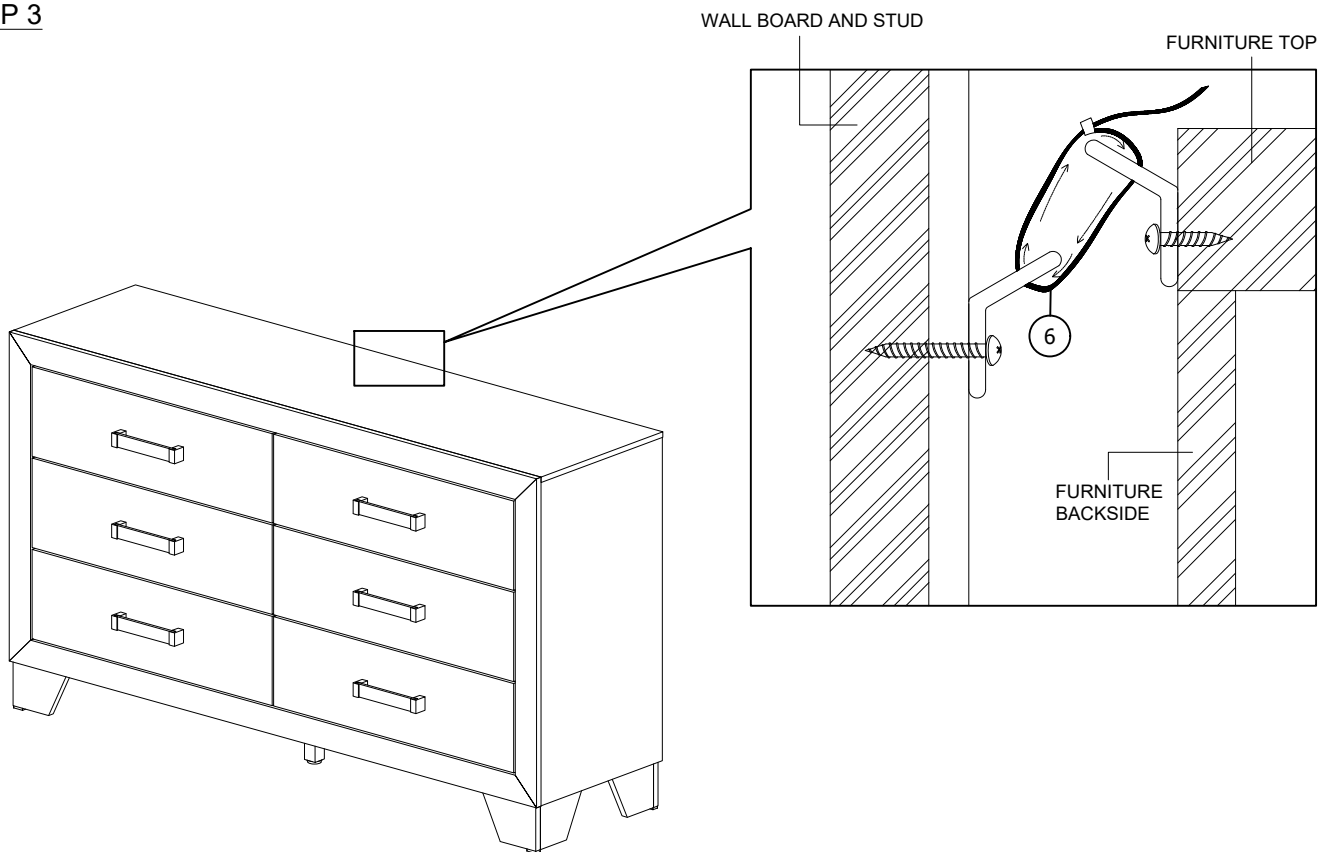


STEP 2.2



LUCCIA-WHITE-DR ASSEMBLY INSTRUCTION

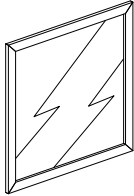
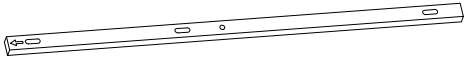
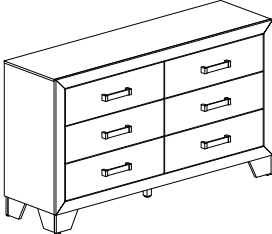
STEP 3



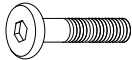



ASSEMBLY COMPLETED

LUCCIA-WHITE-MR ASSEMBLY INSTRUCTION

PART LIST

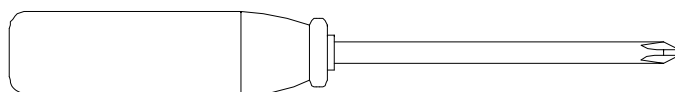
A	MIRROR		1 PC
B	MIRROR SUPPORT		2 PCS
C	DRESSER		1 PC

HARDWARE LIST

ITEM	DESCRIPTION	DRAWING	QTY
1	JCBB SCREW M6 x 40MM		8 PCS
2	SPRING WASHER M6 x 13MM		8 PCS
3	FLAT WASHER M6 x 19MM		8 PCS
4	ALLEN KEY M4		1 PC

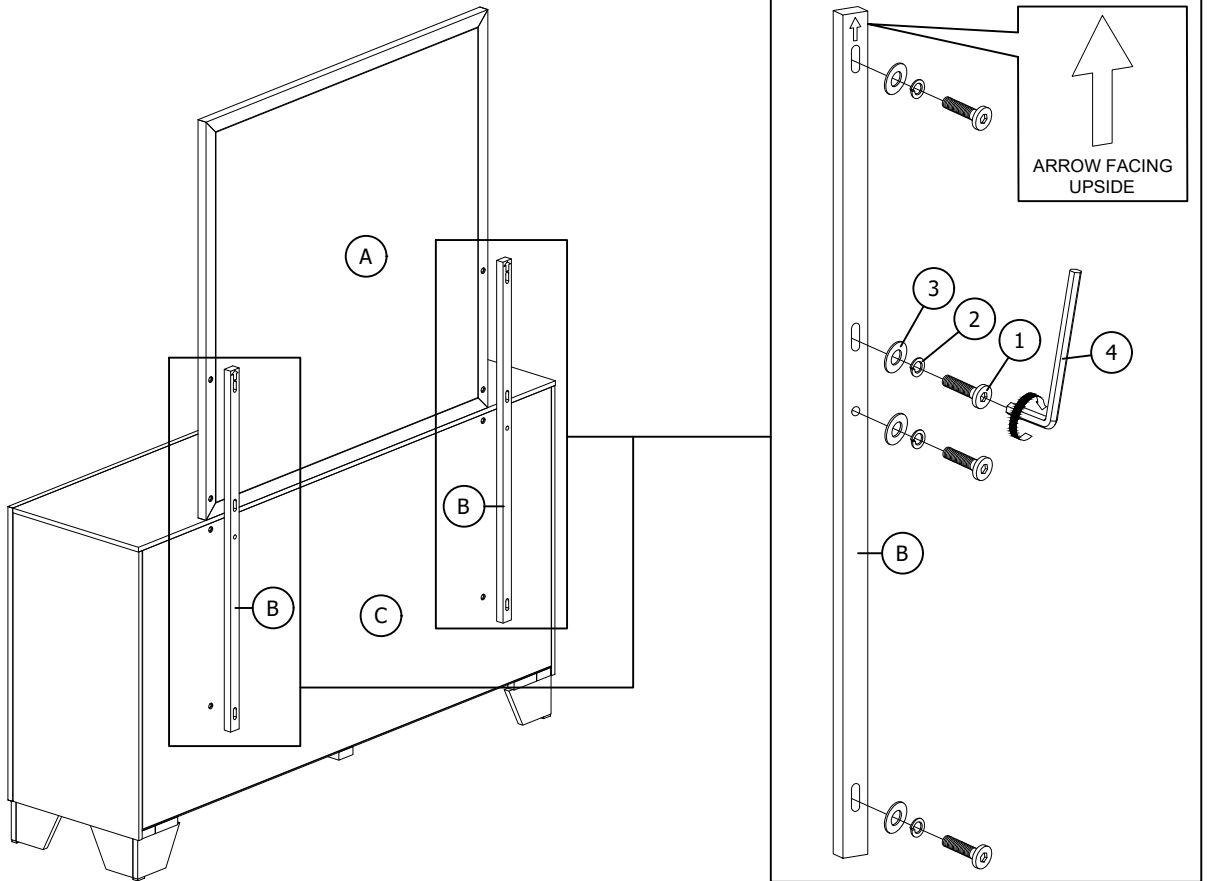
ASSEMBLY TOOLS REQUIRED

1. Screwdriver (not provide)

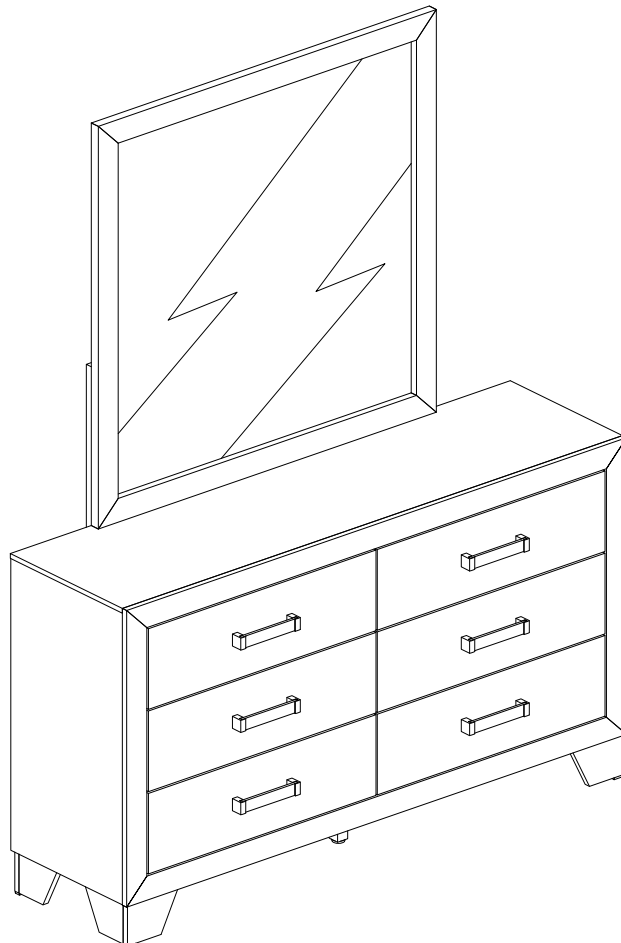


LUCCIA-WHITE-MR ASSEMBLY INSTRUCTION

STEP 1



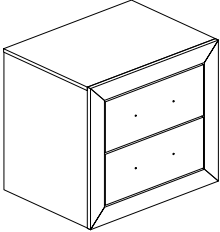
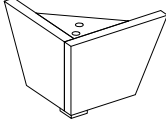
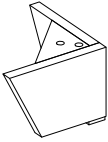
STEP 2



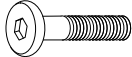




ASSEMBLY COMPLETED

LUCCIA-WHITE-NS ASSEMBLY INSTRUCTION

PART LIST

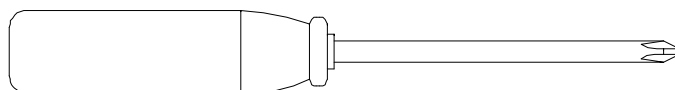
A	NIGHTSTAND		1 PC
B	LEG (i)		2 PCS
C	LEG (ii)		2 PCS

HARDWARE LIST

ITEM	DESCRIPTION	DRAWING	QTY
1	JCBB SCREW M6 x 40MM		4 PCS
2	SPRING WASHER M6 x 13MM		4 PCS
3	FLAT WASHER M6 x 19MM		4 PCS
4	WOOD DOWEL Ø8 x 30MM		4 PCS
5	ALLEN KEY M4		1 PC

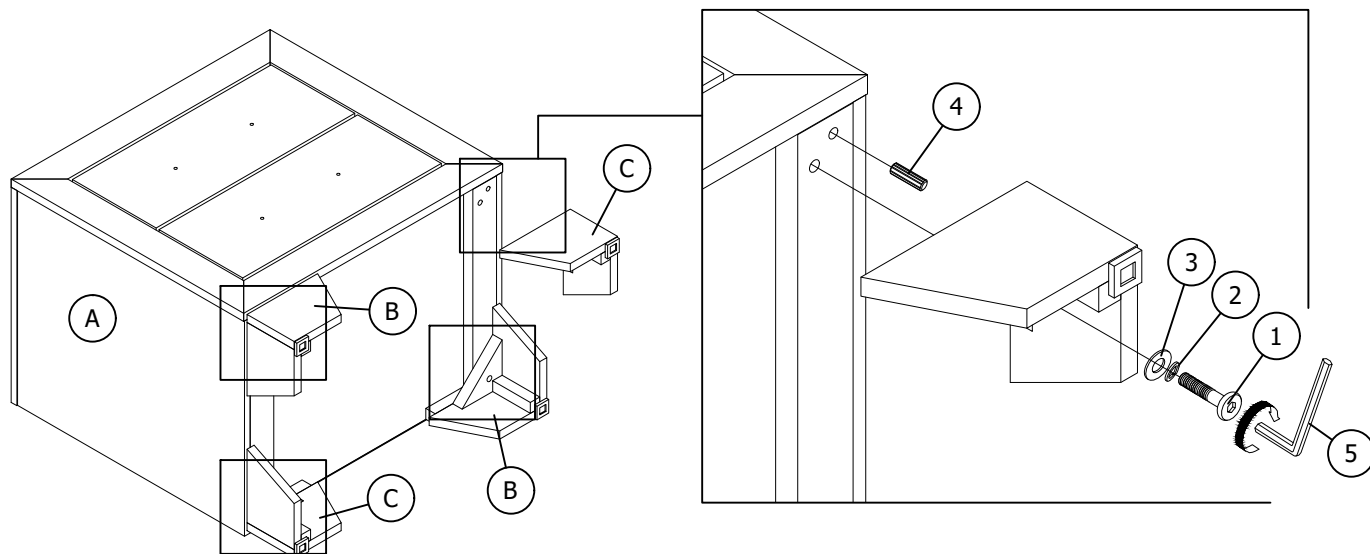
ASSEMBLY TOOLS REQUIRED

1. Screwdriver (not provide)

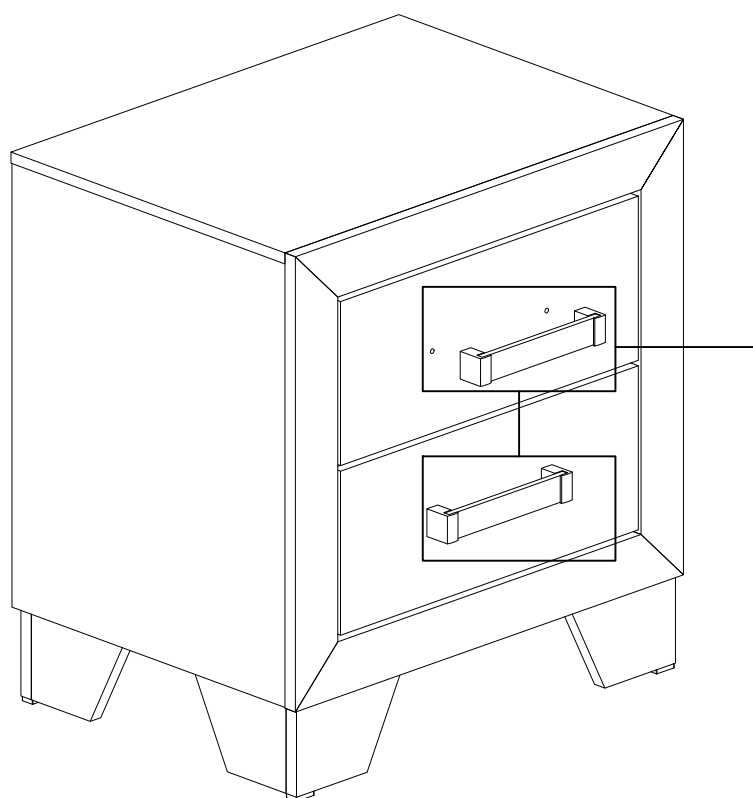


LUCCIA-WHITE-NS ASSEMBLY INSTRUCTION

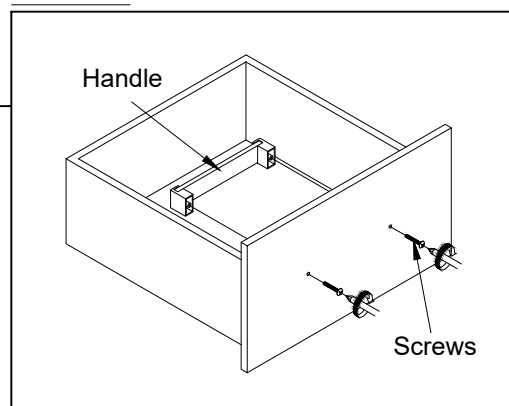
STEP 1



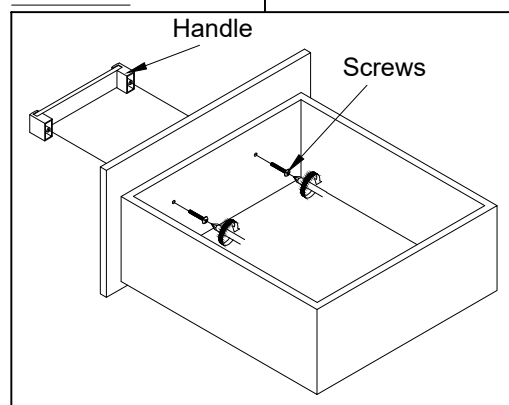
STEP 2



STEP 2.1



STEP 2.2



ASSEMBLY COMPLETED