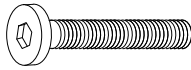



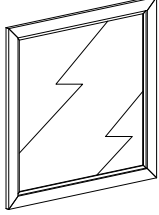
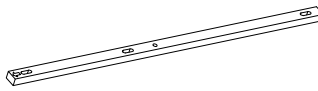
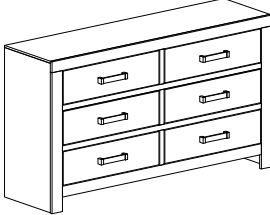


MICAH-GREY - MR ASSEMBLY INSTRUCTION

HARDWARE LIST

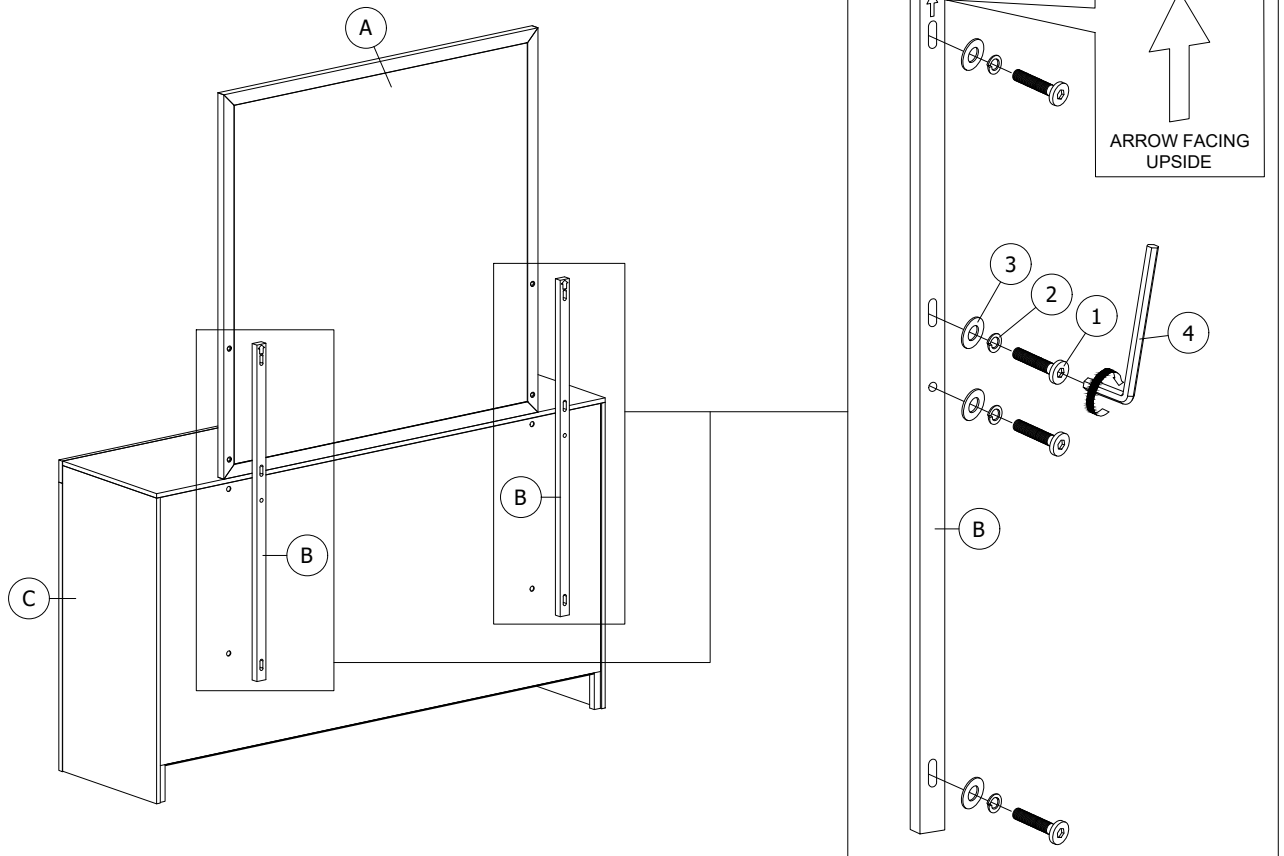
ITEM	DESCRIPTION	DRAWING	QTY
1	JCBC SCREW M6 x 40MM		8 PCS
2	SPRING WASHER M6 x 13MM		8 PCS
3	SPRING WASHER M6 x 19MM		8 PCS
4	ALLEN KEY (M4 x 60MM)		1 PC

PART LIST

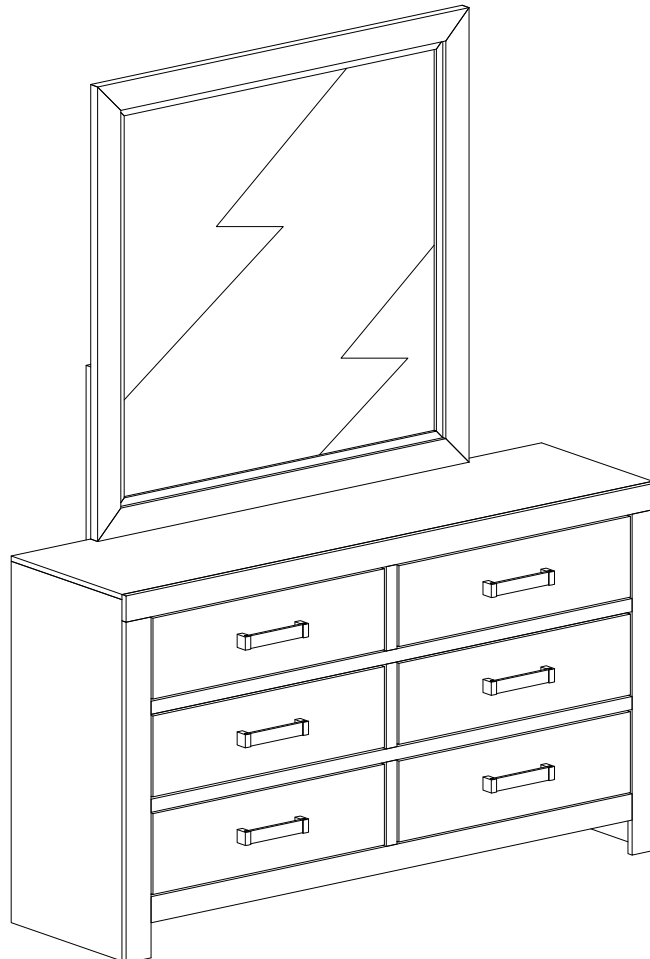
ITEM	DESCRIPTION	DRAWING	QTY
A	MIRROR		1 PC
B	MIRROR SUPPORT RAIL		2 PCS
C	DRESSER		1 PC

MICAH-GREY - MR ASSEMBLY INSTRUCTION

STEP 1



STEP 2



ASSEMBLY COMPLETED