

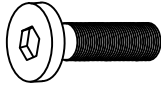
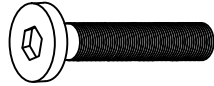
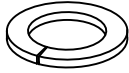
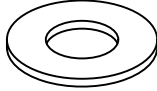

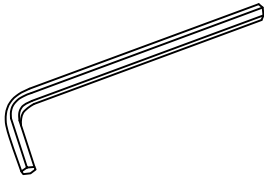
OZARK-WHITE-QB/FB ASSEMBLY INSTRUCTION

Thank you for purchasing this quality product. Be sure any small parts and hardware not for children under 3 years. Adult assembly required.

"DO NOT TIGHTEN SCREWS UNTIL COMPLETELY ASSEMBLED"

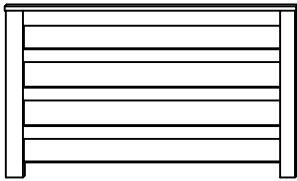
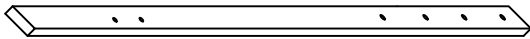
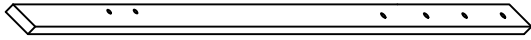
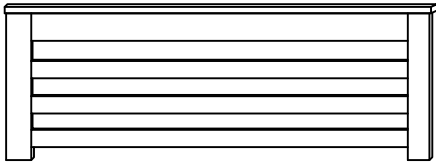
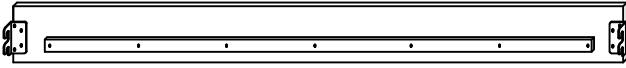
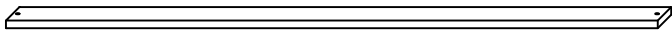
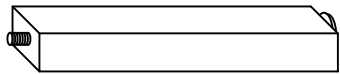
"DO NOT OVERTIGHT ANY HARDWARE"

HARDWARES LIST

ITEM	DESCRIPTION	DRAWING	QTY
A	JCBC SCREW M8 x 16MM		8 PCS
B	JCBC SCREW M8 x 35MM		8 PCS
C	SPRING WASHER M8 x 19MM		8 PCS
D	FLAT WASHER M8 x 22MM		8 PCS
E	CSK C/B SCREW (M4 x 32MM)		8 PCS
F	M5 ALLEN KEY (65MM)		1 PC

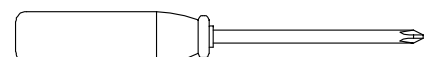
OZARK-WHITE-QB/FB ASSEMBLY INSTRUCTION

PARTS LIST

ITEM	DESCRIPTION	DRAWING	QTY
1	HEADBOARD		1 PC
2	HEADBOARD SUPPORT RAIL(R)		1 PC
3	HEADBOARD SUPPORT RAIL(L)		1 PC
4	FOOTBOARD		1 PC
5	SIDE RAIL		2 PCS
6	SLAT		4 PCS
7	CENTRE SUPPORT LEG		4 PCS

ASSEMBLY TOOLS REQUIRED

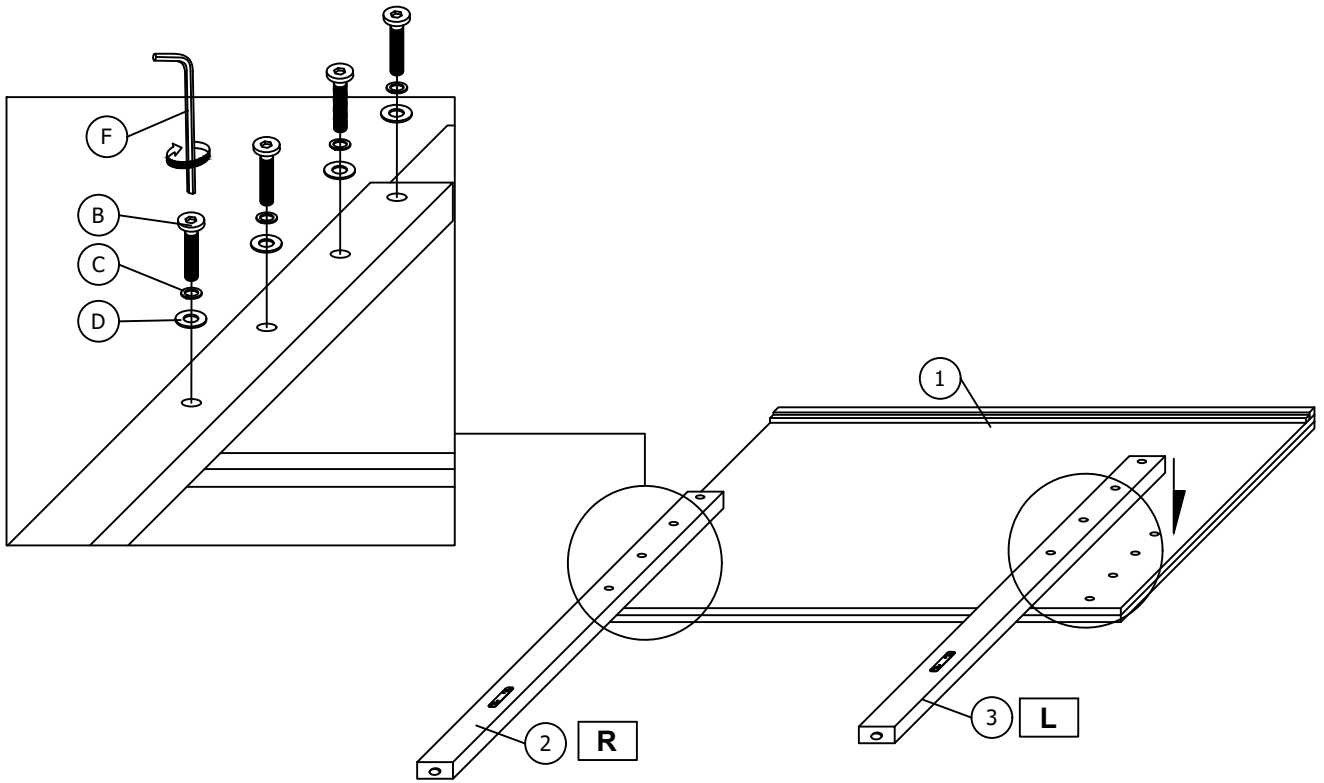
Screwdriver (not provide)



OZARK-WHITE-QB/FB ASSEMBLY INSTRUCTION

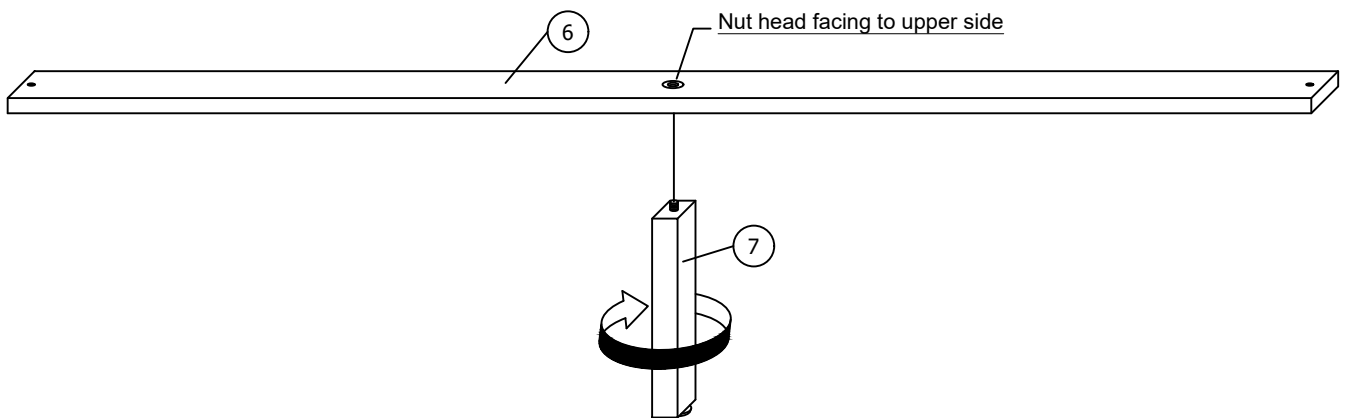
ASSEMBLY STEPS

STEP 1



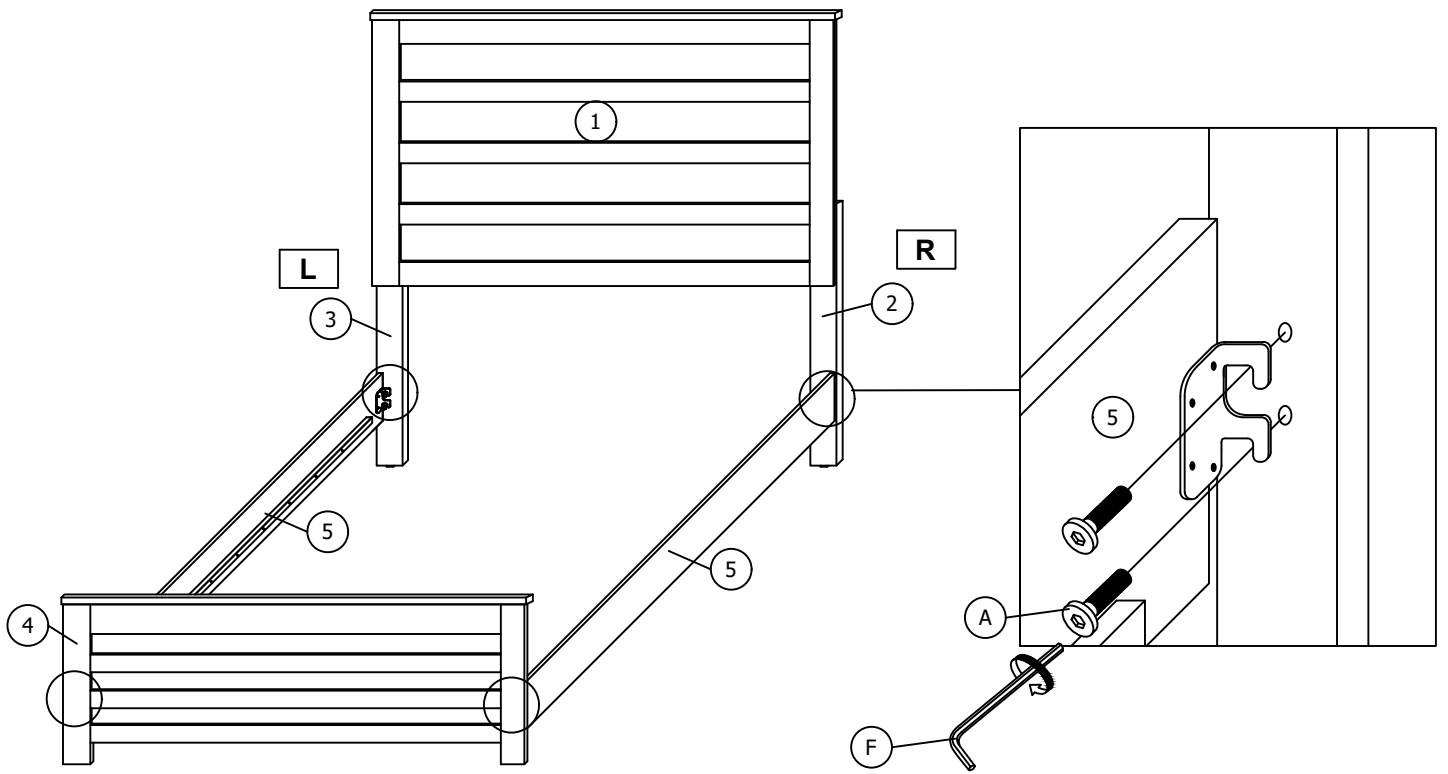
STEP 2

X 4

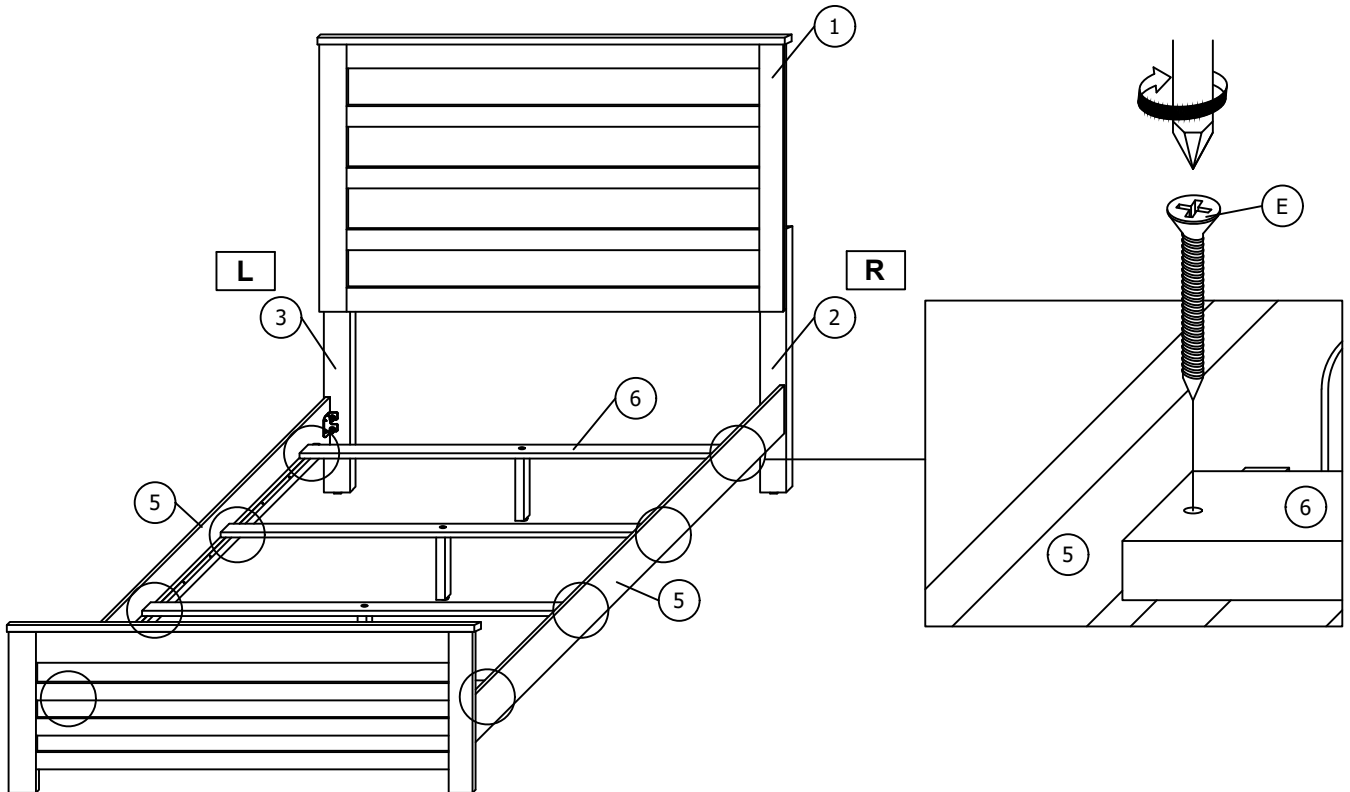


OZARK-WHITE-QB/FB ASSEMBLY INSTRUCTION

STEP 3

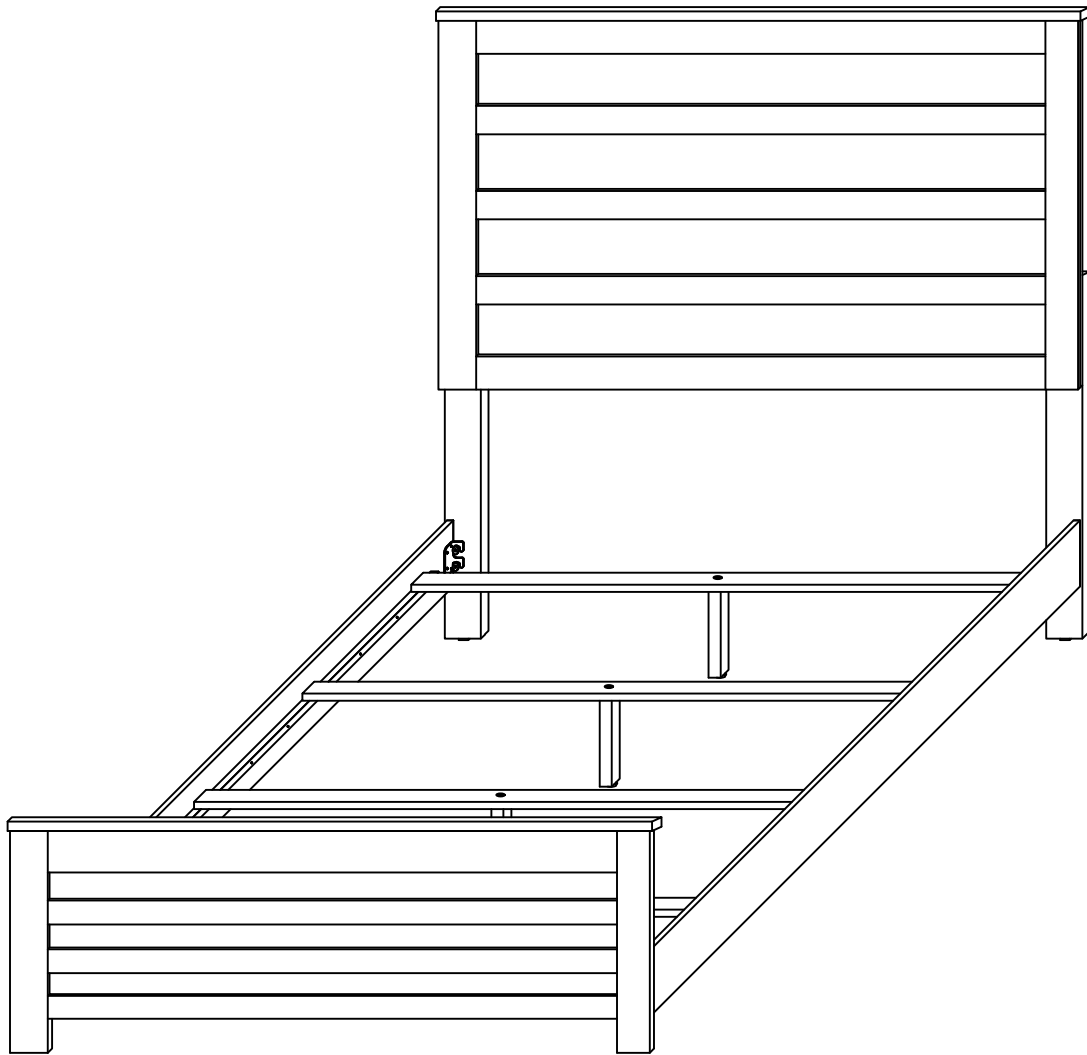


STEP 4



OZARK-WHITE-QB/FB ASSEMBLY INSTRUCTION

STEP 5



ASSEMBLY COMPLETED

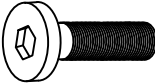
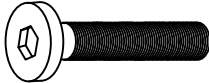
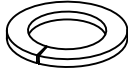
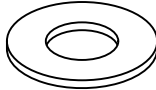

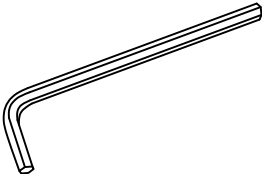
OZARK-WHITE-KB ASSEMBLY INSTRUCTION

Thank you for purchasing this quality product. Be sure any small parts and hardware not for children under 3 years. Adult assembly required.

"DO NOT TIGHTEN SCREWS UNTIL COMPLETELY ASSEMBLED"

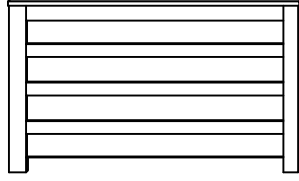

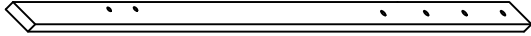
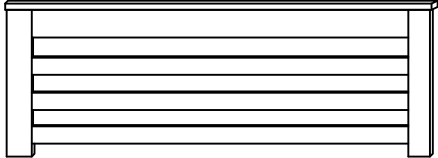
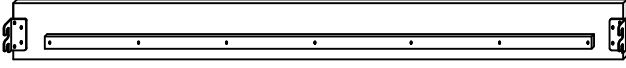
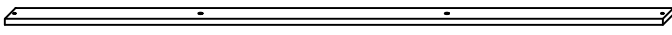
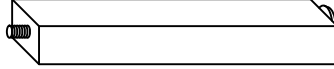
"DO NOT OVERTIGHT ANY HARDWARE"

HARDWARES LIST

ITEM	DESCRIPTION	DRAWING	QTY
A	JCBC SCREW M8 x 16MM		8 PCS
B	JCBC SCREW M8 x 35MM		8 PCS
C	SPRING WASHER M8 x 19MM		8 PCS
D	FLAT WASHER M8 x 22MM		8 PCS
E	CSK C/B SCREW (M4 x 32MM)		8 PCS
F	M5 ALLEN KEY (65MM)		1 PC

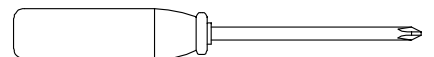
OZARK-WHITE-KB ASSEMBLY INSTRUCTION

PARTS LIST

ITEM	DESCRIPTION	DRAWING	QTY
1	HEADBOARD		1 PC
2	HEADBOARD SUPPORT RAIL(R)		1 PC
3	HEADBOARD SUPPORT RAIL(L)		1 PC
4	FOOTBOARD		1 PC
5	SIDE RAIL		2 PCS
6	SLAT		4 PCS
7	CENTRE SUPPORT LEG		8 PCS

ASSEMBLY TOOLS REQUIRED

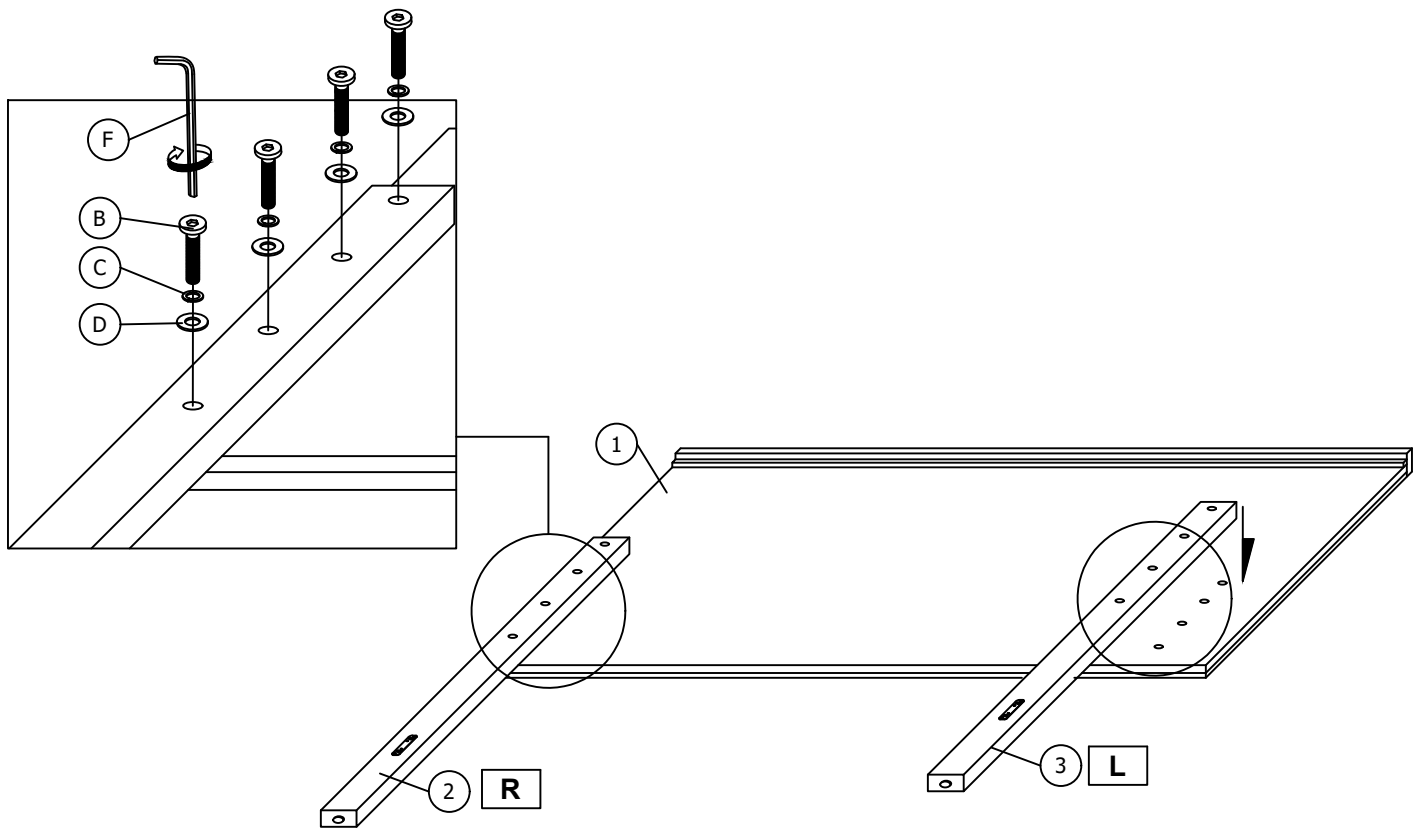
Screwdriver (not provide)



OZARK-WHITE-KB ASSEMBLY INSTRUCTION

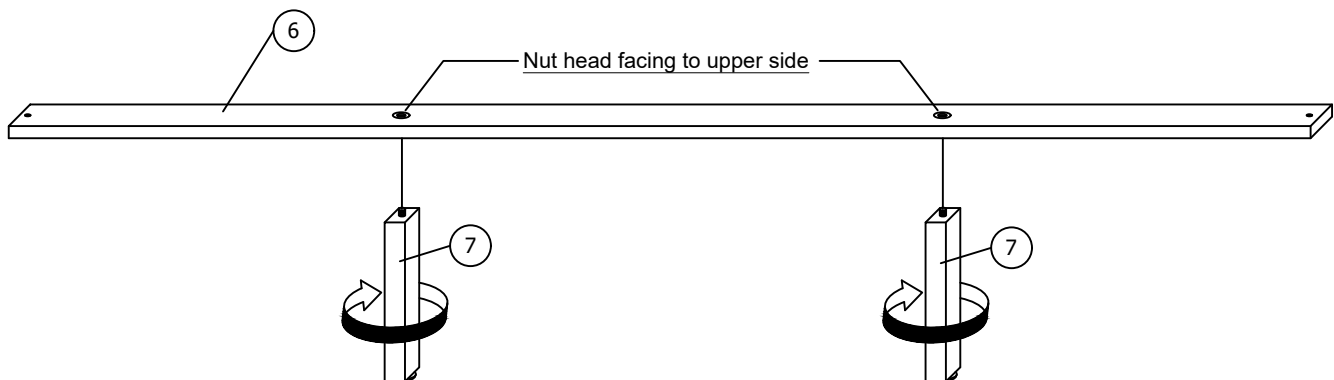
ASSEMBLY STEPS

STEP 1



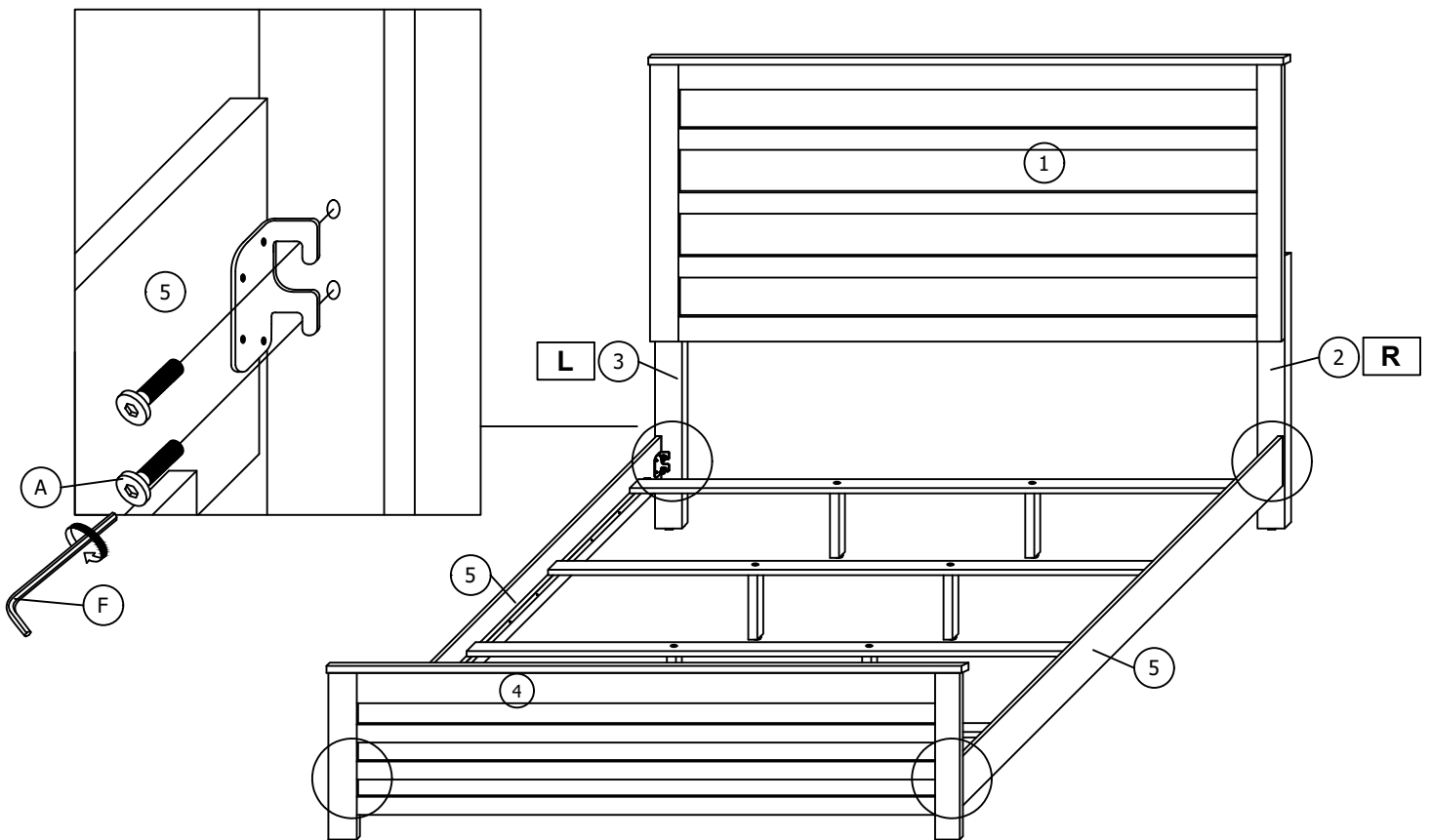
STEP 2

X 4

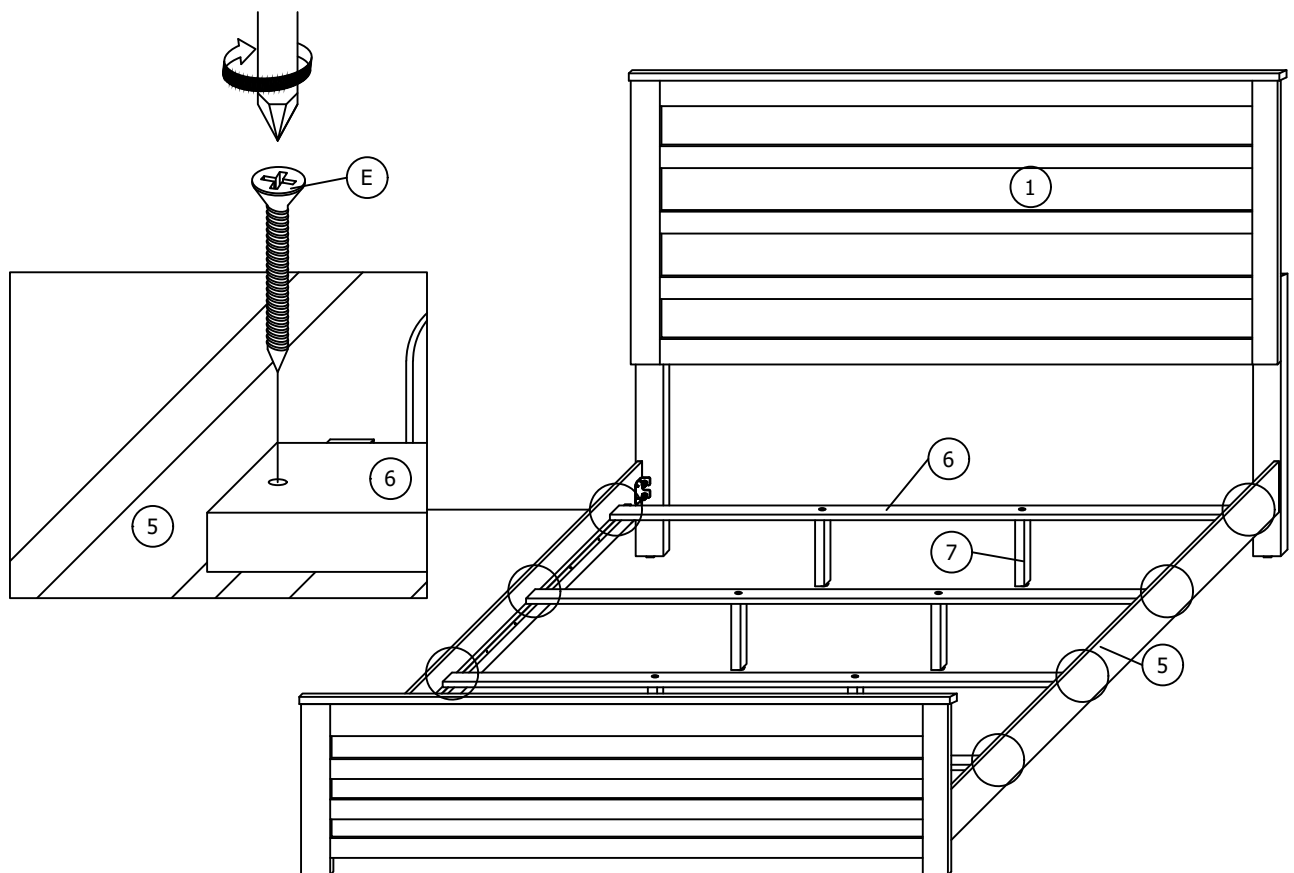


OZARK-WHITE-KB ASSEMBLY INSTRUCTION

STEP 3

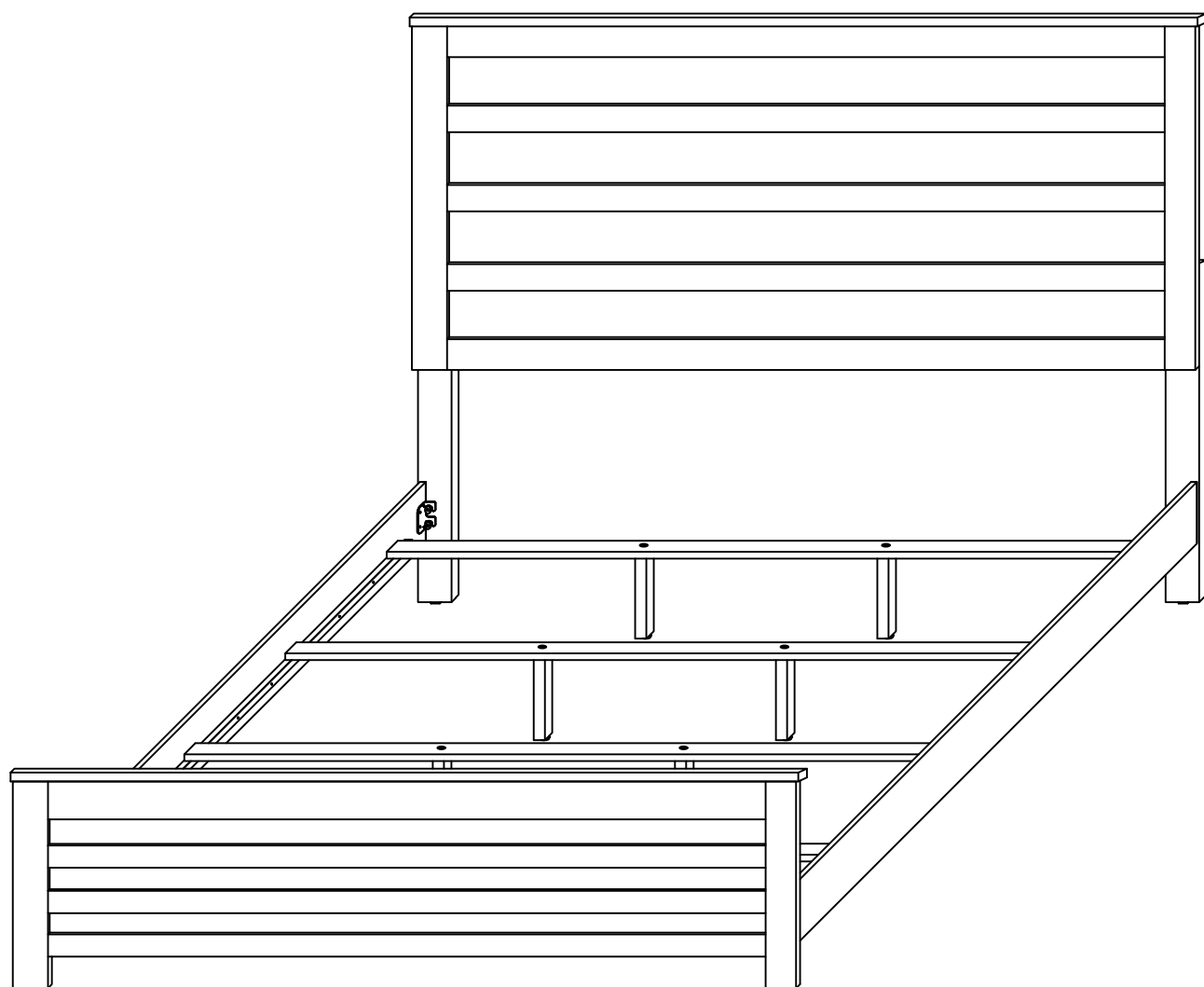


STEP 4



OZARK-WHITE-KB ASSEMBLY INSTRUCTION

STEP 5



ASSEMBLY COMPLETED