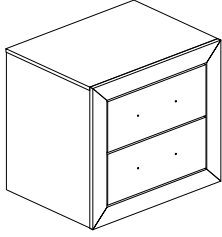
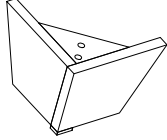
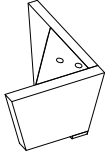
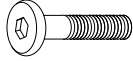

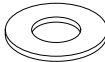




REID-BLACK-NS ASSEMBLY INSTRUCTION

PART LIST

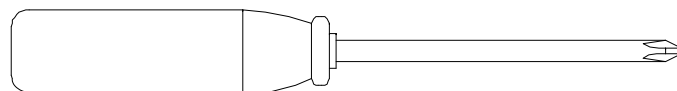
A	NIGHTSTAND		1 PC
B	LEG (i)		2 PCS
C	LEG (ii)		2 PCS

HARDWARE LIST

ITEM	DESCRIPTION	DRAWING	QTY
1	JCBB SCREW M6 x 40MM		4 PCS
2	SPRING WASHER M6 x 13MM		4 PCS
3	FLAT WASHER M6 x 19MM		4 PCS
4	WOOD DOWEL Ø8 x 30MM		4 PCS
5	ALLEN KEY M4		1 PC

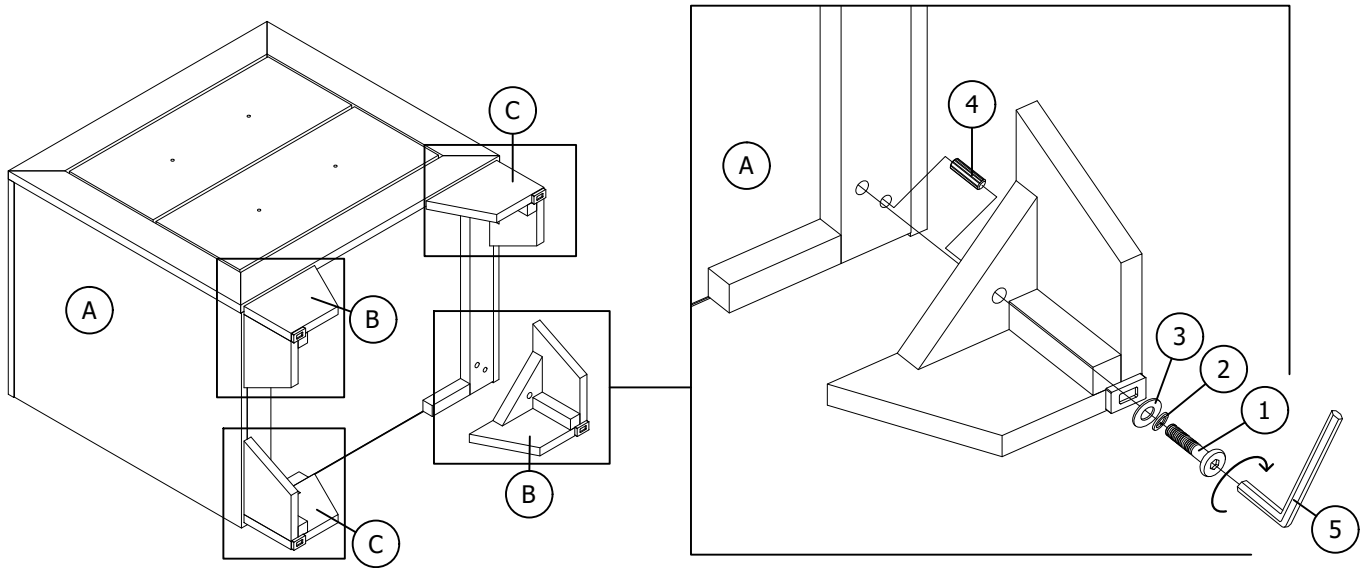
ASSEMBLY TOOLS REQUIRED

1. Screwdriver (not provide)



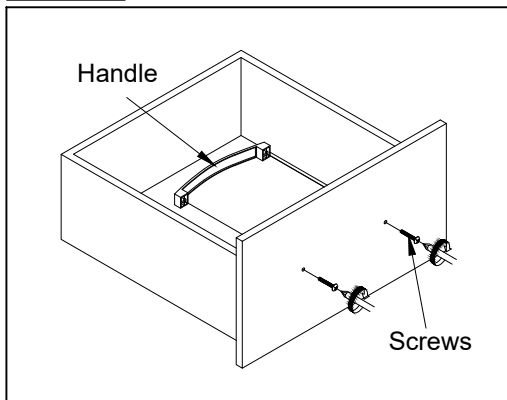
REID-BLACK-NS ASSEMBLY INSTRUCTION

STEP 1

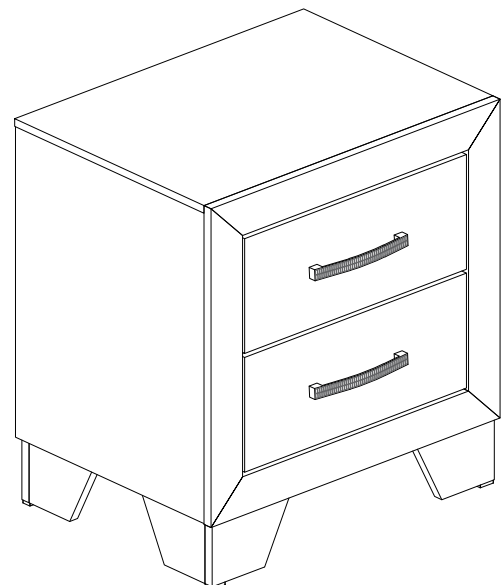
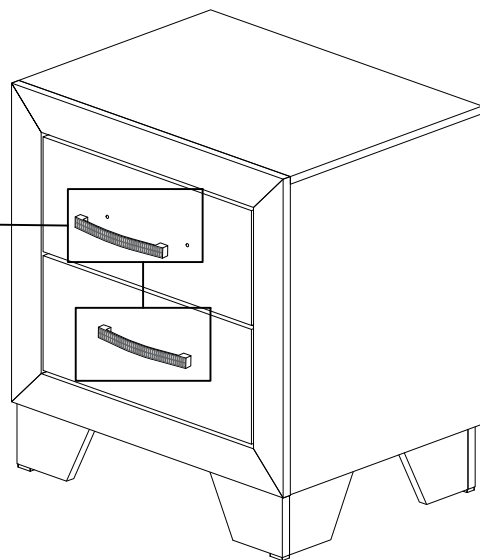
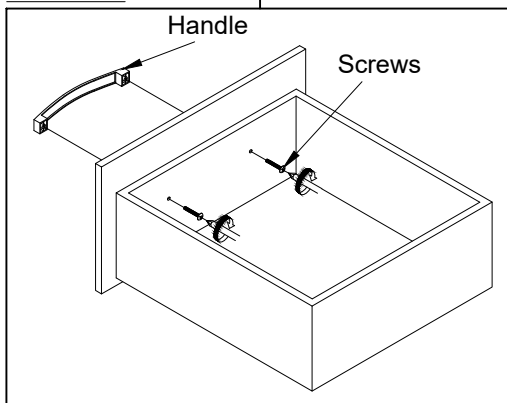


STEP 2

STEP 2.1



STEP 2.2



ASSEMBLY COMPLETED