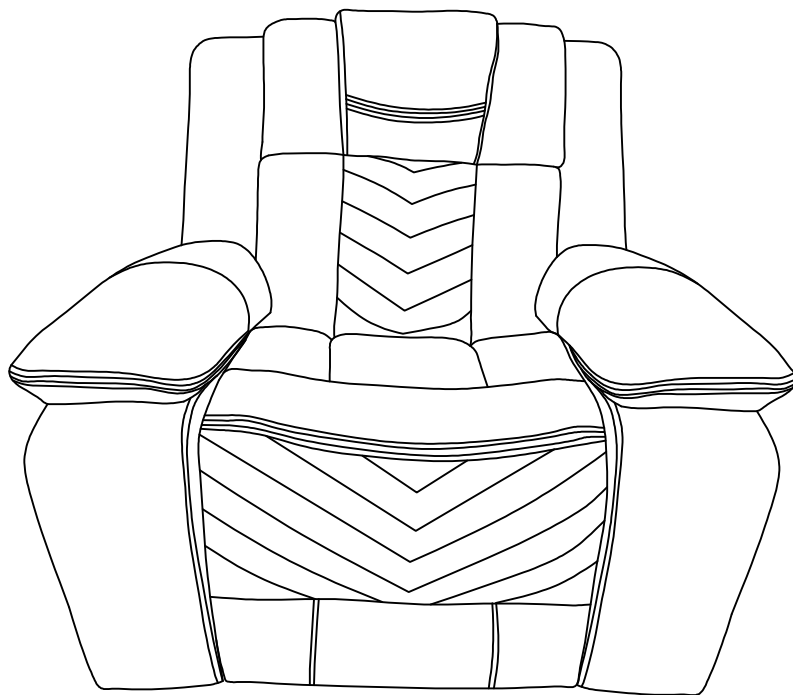


ASSEMBLY INSTRUCTIONS

Model: U7068 Chair

Description: Power Recliner With LED

Thank you for purchasing this quality product. Be sure to check all packing material carefully for small parts that may have come loose inside the carton during shipment

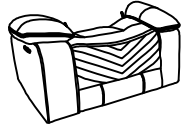






ASSEMBLY INSTRUCTIONS

Model: U7068 Chair

Description: Power Recliner With LED

Thank you for purchasing this quality product. Be sure to check all packing material carefully for small parts that may have come loose inside the carton during shipment

PARTS LIST				PARTS LIST			
NO.	DESCRIPTION	SKETCH	QTY	NO.	DESCRIPTION	SKETCH	QTY
A	SEAT BODY		1 PC	C	LEFT EAR		1 PC
B	BACK REST		1 PC	D	RIGHT EAR		1 PC

HARDWARE LIST				HARDWARE LIST			
NO.	DESCRIPTION	SKETCH	QTY	NO.	DESCRIPTION	SKETCH	QTY
E	ADAPTER		1 PC				

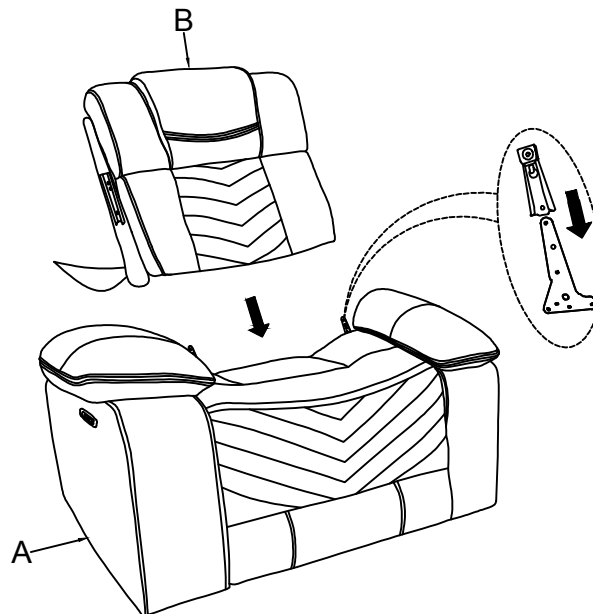
ASSEMBLY INSTRUCTIONS

Model: U7068 Chair

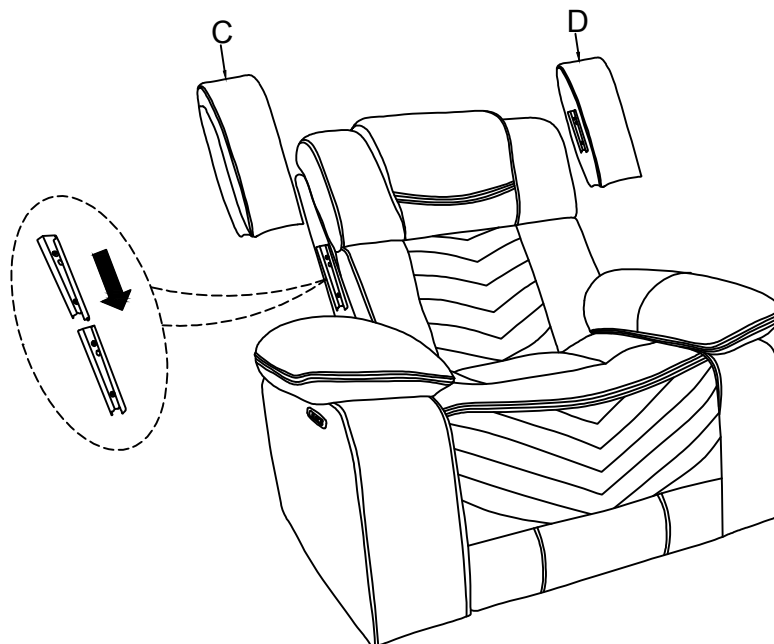
Description: Power Recliner With LED

Thank you for purchasing this quality product. Be sure to check all packing material carefully for small parts that may have come loose inside the carton during shipment

Step 1: Attach the back rest (B) to seat body (A) as shown below diagram



Step 2: Attach the left ear (C) & the right ear (D) to the back rest (B) as shown below diagram



ASSEMBLY INSTRUCTIONS

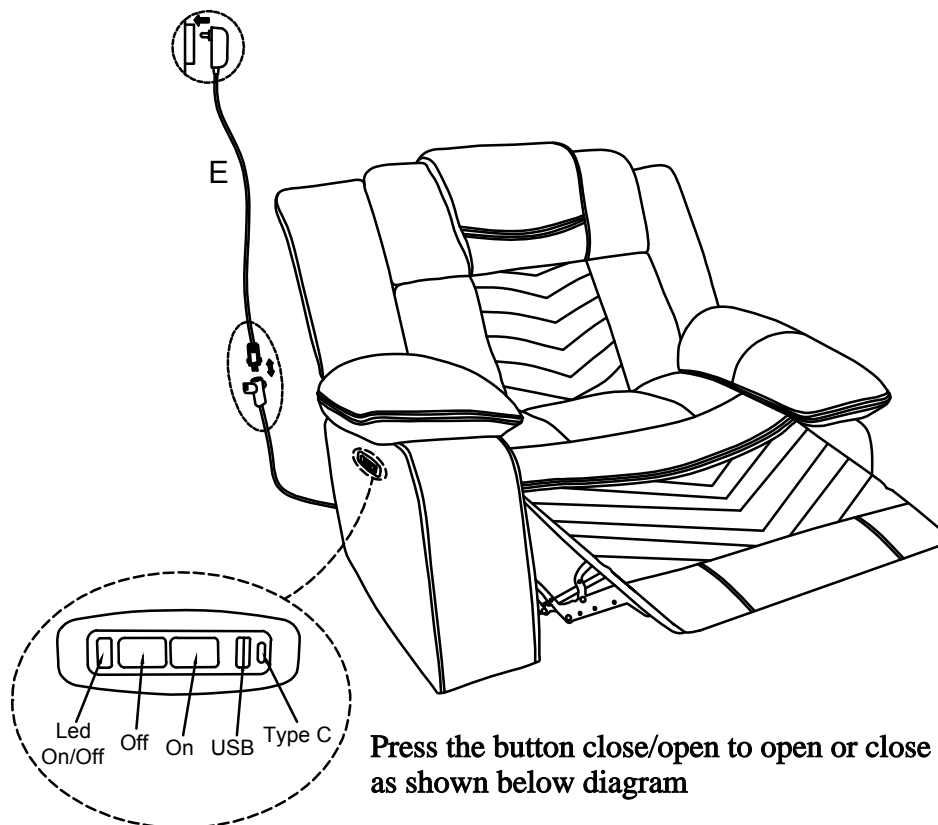
Model: U7068 Chair

Description: Power Recliner With LED

Thank you for purchasing this quality product. Be sure to check all packing material carefully for small parts that may have come loose inside the carton during shipment

Step 3:

Use the adapter (E) to connect with power , then open the footrest by pressing the power button on/off



Press the button close/open to open or close the footrest as shown below diagram