

Organic technical specification



.mdd

MDD has a leading position among manufacturers of office furniture with many awards that prove quality and continuously increase demand for it's products.

The realities of today`s market require constant quality improvement at all levels of modern organization. This applies in particular to customer service, marketing, quality of products and also to quality of processes within the company. Partnership relations among employees and with business partners form a base of economic growth and success of the company.

Constant investments in innovative machinery park, optimization of management systems and an expansion of production halls allow to minimize the lead times for the product of the highest quality.

More than twenty years of experience in office furniture industry come with reference from a long list of companies and institutions to show their appreciation for an efficient and comprehensive service.

MDD is highly aware of the environment.

Being located in the forest region with lake by it's side, MDD takes the nature seriously and invests constantly in a modern and energy-efficient solutions to preserve the local life. Company puts emphasis on waste segregation and recycling. MDD has been awarded for the exceptional care and involvement in waste disposal. All materials used are environmentally friendly and enjoy a high 95 % rate of being recycled.



General informations:

Warranty:

MDD products - **5 years.**

Electrical components and fabric - **2 years.**

Certificate - MFC:



Boards density:

12 mm - 690 - 750 kg/m³

18 mm - 650 - 690 kg/m³

28 mm - 610 - 630 kg/m³

36 mm - 610 - 630 kg/m³

Assembly:

product delivered in separate elements

Packing:

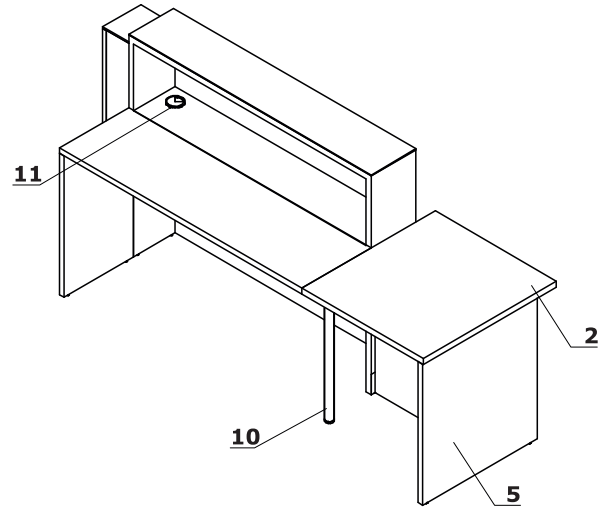
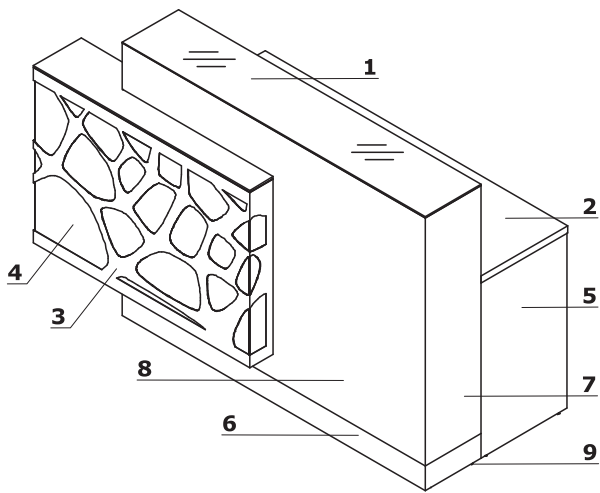
cartboard, styrofoam, foam wrap

Organic	Date of preparation 16.12.2019	The data contained in this document is valid in the day of its preparation. Change of the product, as long as it does not affect the basic features of it, does not require consistent updates of the document.	page 2/6 general informations
---------	-----------------------------------	---	---

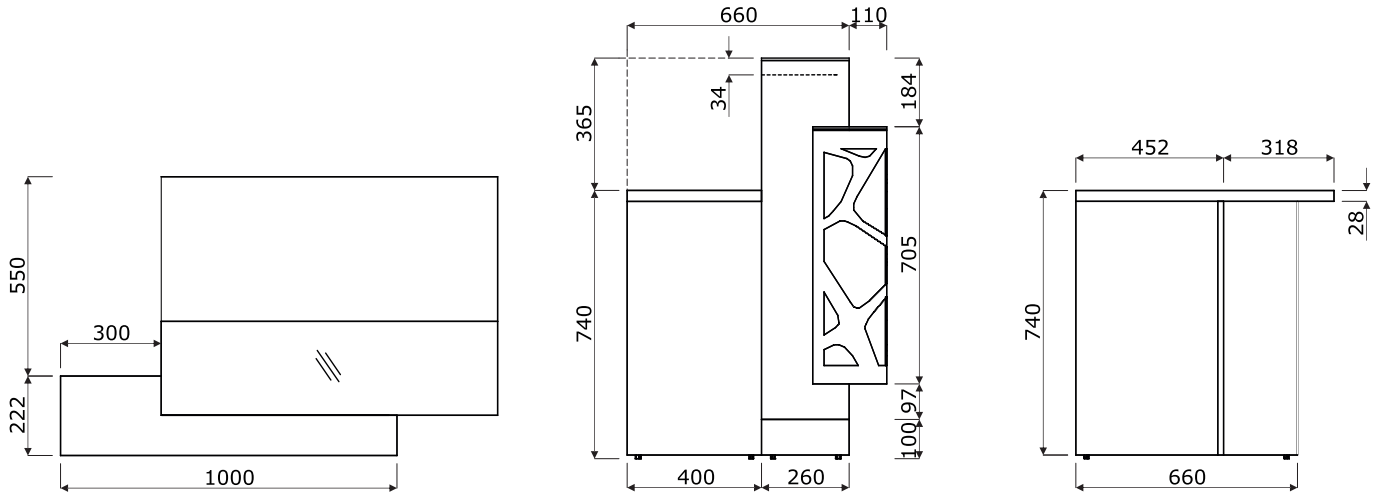
Technical specification

1. Glass top - glass LACOBEL 4 mm
2. Worktop - MFC 28 mm, ABS edge
3. Front - powder coated steel and plexiglas
4. Light source - RGBW LED, remote control
5. Low side panel - MFC 28 mm, ABS edge
6. Kick plate - HPL - brushed aluminium
7. Body - MFC 18 mm, coated with HPL mat
8. Front - MFC 28 mm + HPL - mat 0,8 mm, ABS edge
9. Leveling - 5 mm range
10. Supporting leg NE41 - required for connecting the tops
11. Cable grommets - Ø80 mm

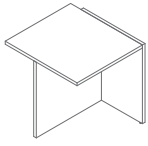
www.mdd.eu



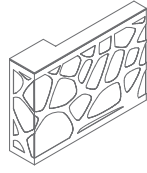
Organic



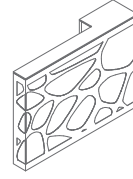
Composition elements *



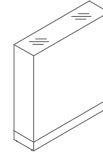
LOG07
728 / 770 / 740
13.5 kg



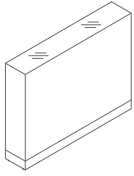
LOG01P
1000 / 220 / 710
25.5 kg



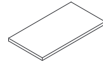
LOG01L
1000 / 220 / 710
25.5 kg



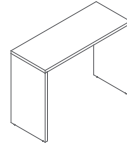
LOG10K
1000 / 260 / 1105
35 kg



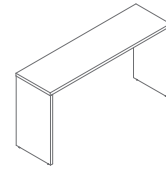
LOG14K
1400 / 260 / 1105
47 kg



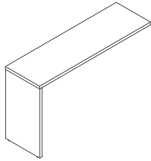
LOG08B
740 / 400 / 28
11 kg



LOG10B
1000 / 400 / 740
15 kg



LOG14B
1400 / 400 / 740
20 kg



LOG11B
1140 / 400 / 740
15 kg



NE41L
40 / 40 / 712
1.5 kg

* dimensions expressed in millimeters: width x depth x height

Upper top



117 Glass white
RAL9003

Body



67 White pastel

Front, supporting leg - metal



M015 White
semi-mat

Front - plexiglass



White
