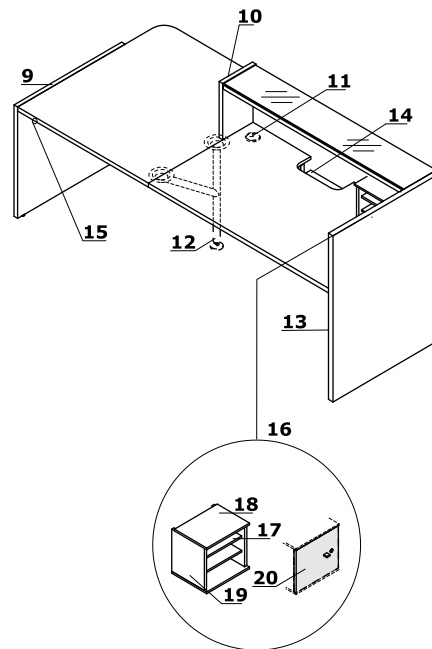
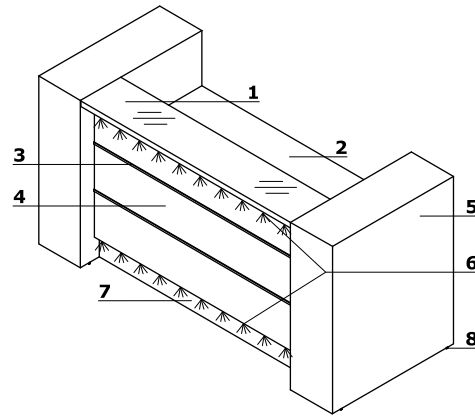


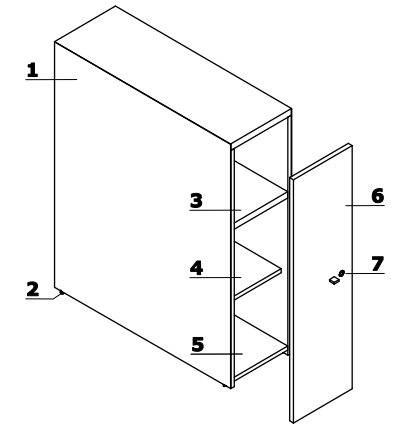
Technical specification

- 1 Top** - MFC 36 mm + Glass LACOBEL 4 mm (40 mm)
- 2 Worktop** - MFC 28 mm, ABS edge 2 mm
- 3 Decorative stripe** - PVC, colour: M009 - aluminium semi-matt
- 4 Front** - HPL - high gloss
- 5 Storage as ending element** - HPL high gloss 18 mm, ABS edge
- 6 LED illumination** - at the full length of the reception desk, cold white color (verging on the blue shade);
- 7 Kick plate** - HPL - brushed aluminium
- 8 Leveling** - 5 mm range
- 9 Low side panel** - all HPL - gloss - 38 mm
- 10 Side panel linking low and high fronts** - HPL high gloss - 38 mm
- 11 Cable grommets** - Ø80 mm
- 12 Supporting leg NE41** - made of metal, required for tops connecting, colours: M015 - white semi-mat, M009 - Aluminum semi-matt, colour adjusted to the colour of worktop
- 13 High side panel** - all HPL - gloss - 38 mm
- 14 OPTION WITH EXTRA CHARGE** - working top with lowered monitor shelf - MFC 28 mm, ABS edge 2 mm
- 15 Light switch**
- 16 LMS05** - reception desk storage; order separately
- 17 Shelf** - MFC 18 mm, protection against accidental falling-out, ABS edge 2 mm, max load 30 kg
- 18 Top** - MFC 12 mm, ABS edge 2 mm
- 19 Body** - MFC 18 mm, ABS edge 2 mm
- 20 Optional front with lock** - universal (left, right); - MFC 18 mm, ABS edge; - ordered as separate element



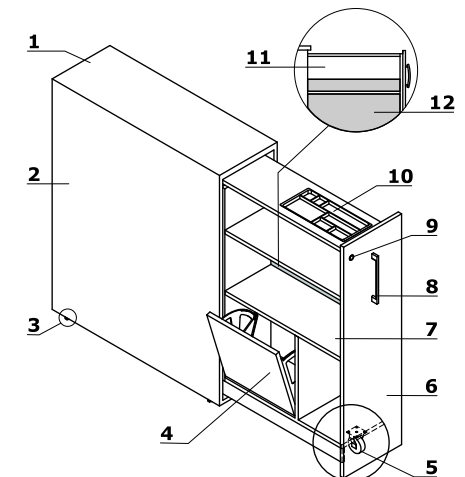
Ending storage

- 1 Storage as ending element** - HPL high gloss 18 mm, ABS edge
- 2 Leveling** - 5 mm range
- 3 Shelf** - MFC 28 mm, ABS edge 2 mm
- 4 Shelf with possibility of height regulation** - MFC 18 mm, ABS edge 2 mm
- 5 Base** - MFC 18 mm, ABS edge 2 mm
- 6 Optional Front LAD10** - MFC 18 mm, universal (left/right);, to order as an additional element
- 7 Patent lock** - foldable key

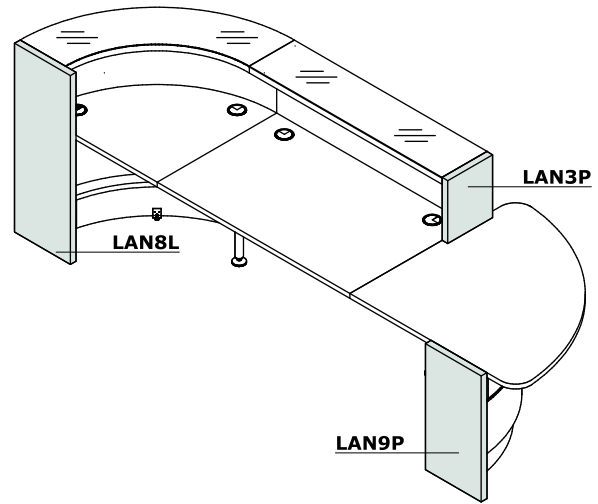
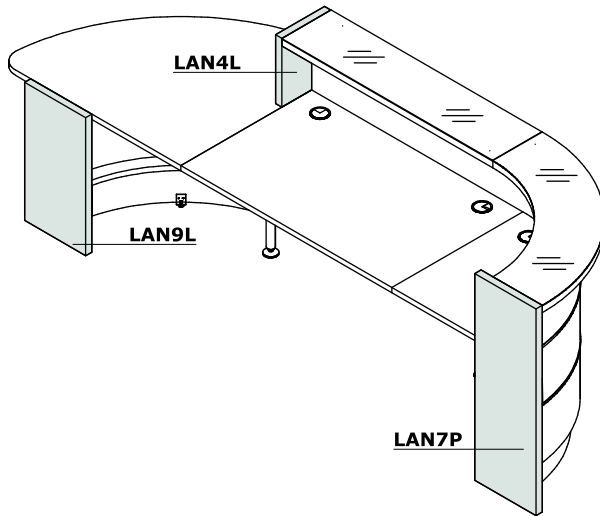
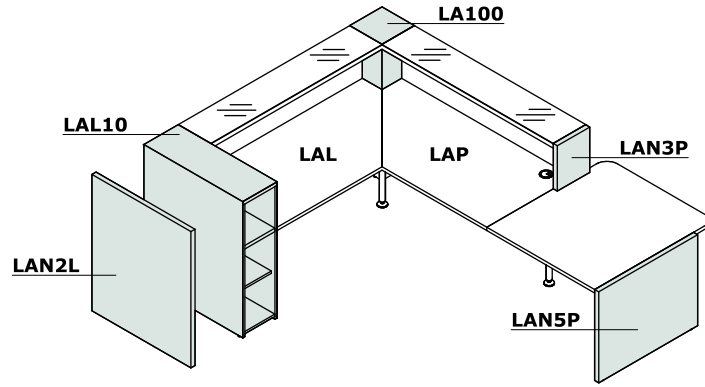
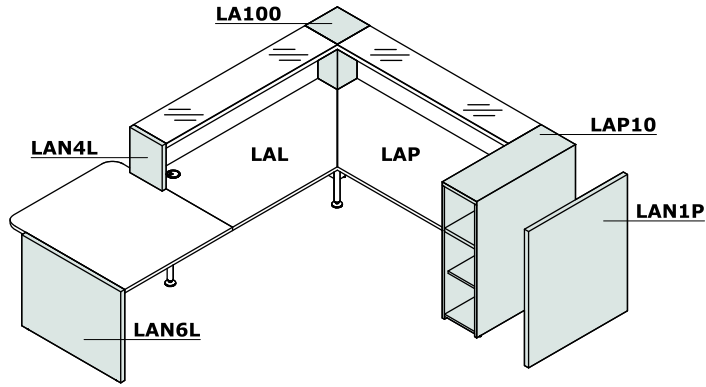


Cargo pedestal

- 1 Top** - MFC 28 mm, coated with HPL high gloss
- 2 Body** - MFC 18 mm, coated with HPL high gloss
- 3 Leveling** - 5 mm range
- 4 Cabinet with flip door** - 2 spaces (e.g. for binder, shoes)
- 5 Castors** - Ø75 mm
- 6 Front** - MFC 18 mm, ABS edge 2 mm
- 7 Shelf** - MFC 18 mm, protection against accidental falling-out, ABS edge 2 mm, max load 30 kg
- 8 Aluminum handle**
- 9 Patent lock**
- 10 Pencil tray** - plastic, colour: black
- 11 No back**
- 12 Full back rear** - MFC 18 mm



Ending elements application



Dimensions (mm)

