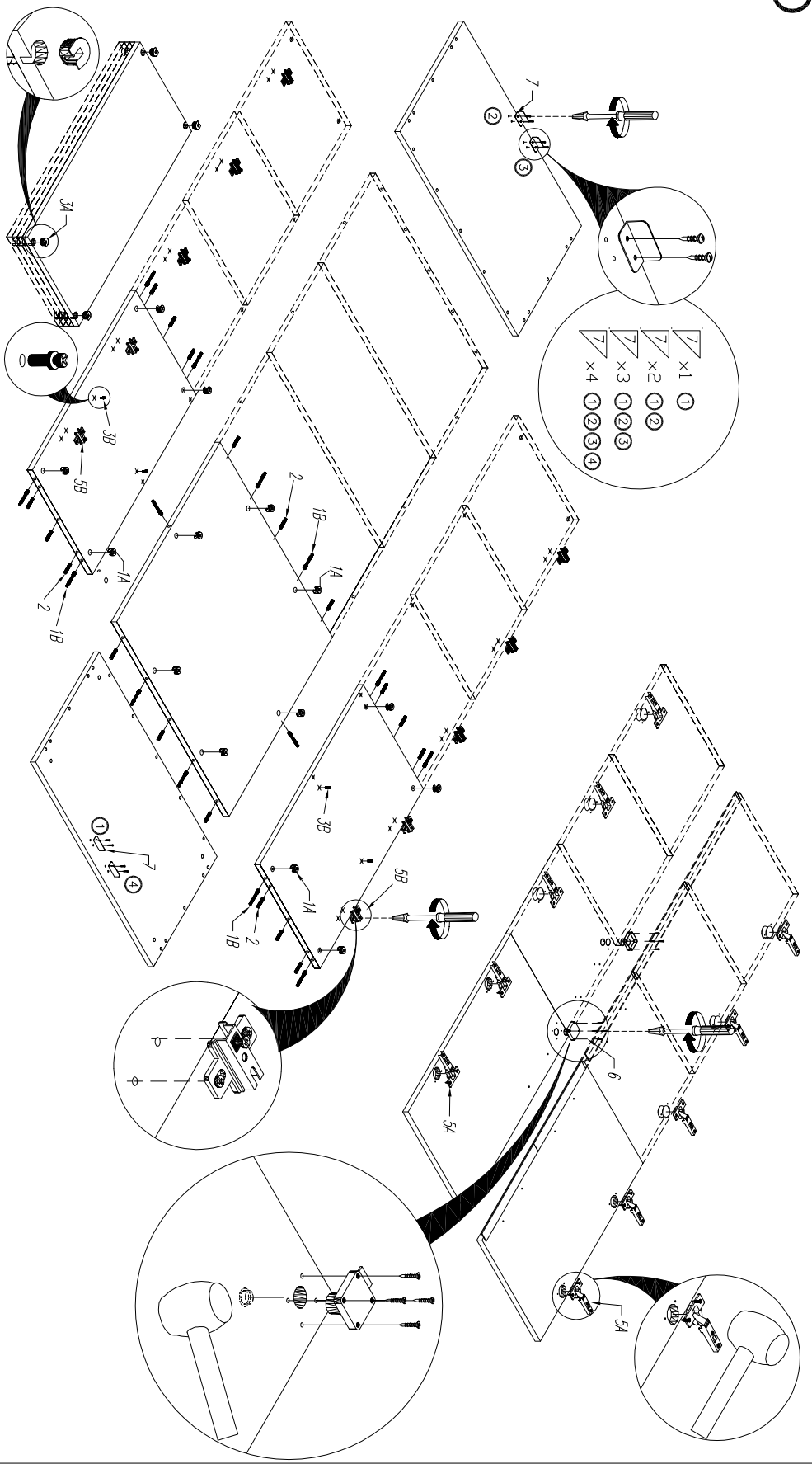
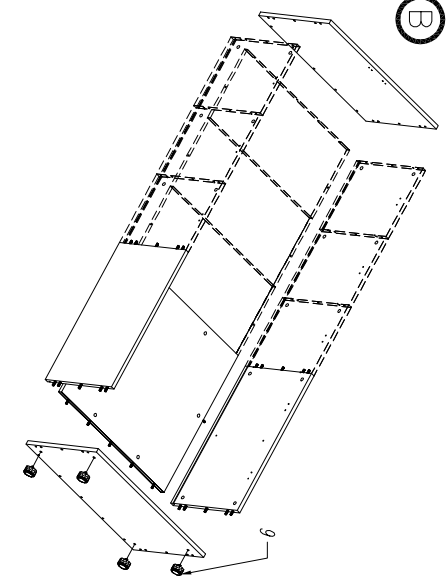


A

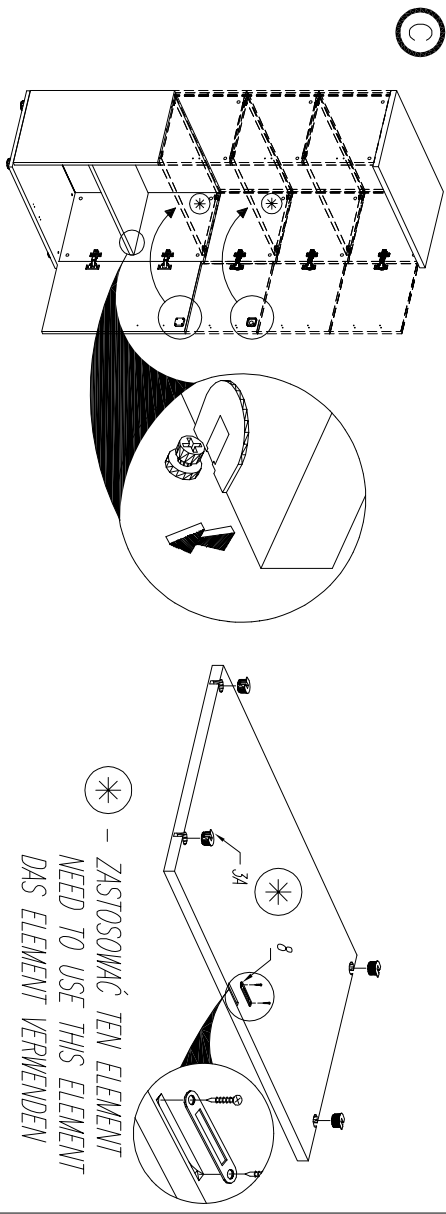


- x1 ①
- x2 ①②
- x3 ①②③
- x4 ①②③④

B

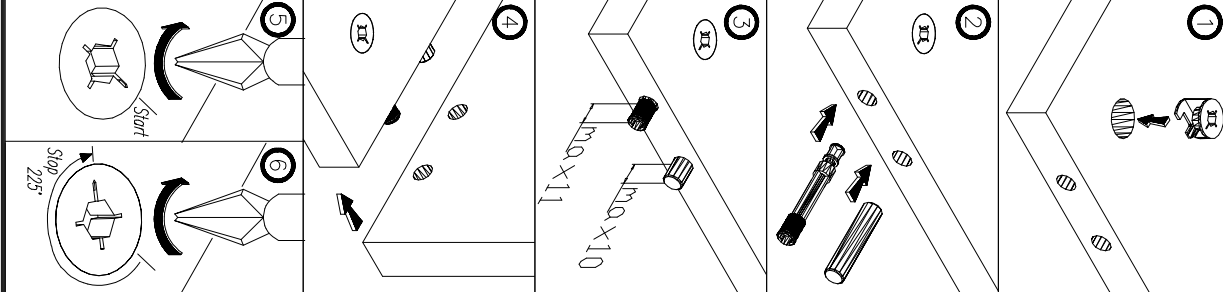


C

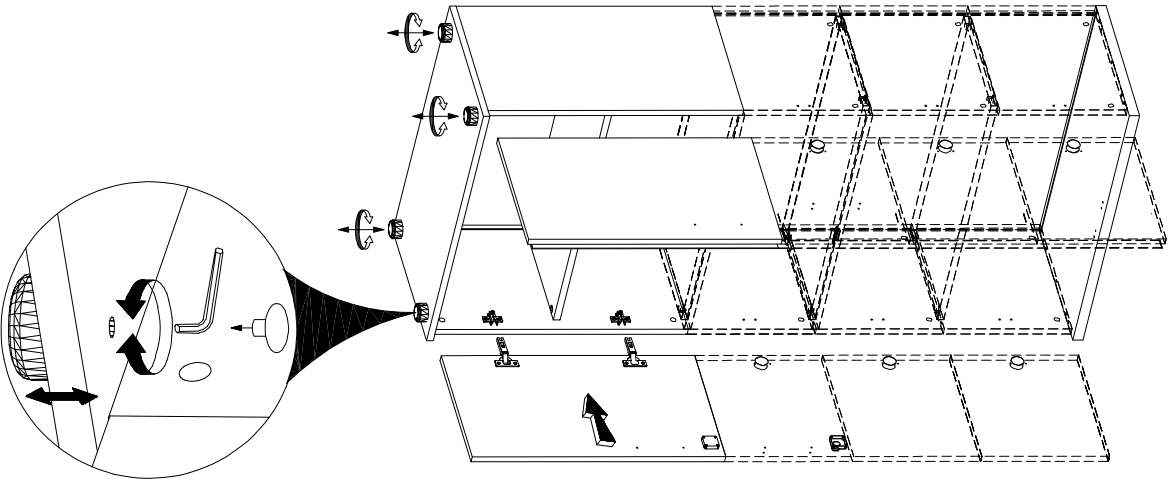


⊛ - ZASTOSOWAĆ TEN ELEMENT
NEED TO USE THIS ELEMENT
DAS ELEMENT VERWENDEN

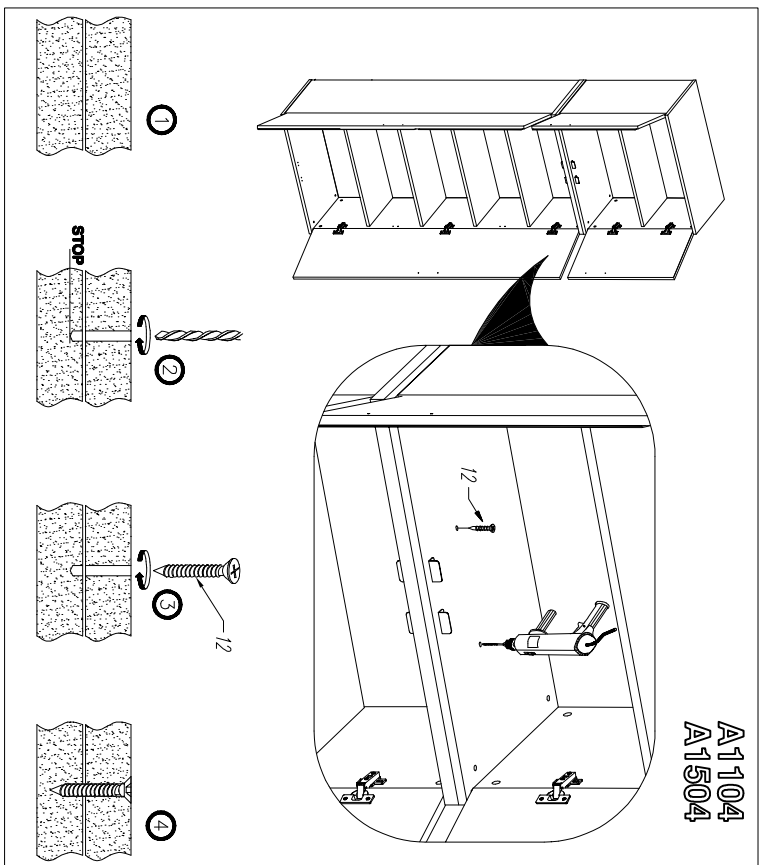
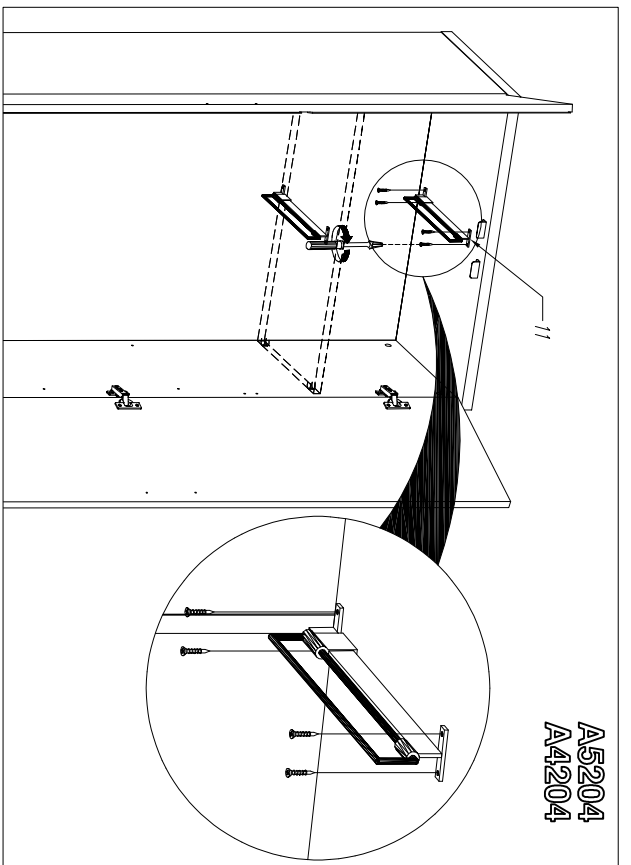
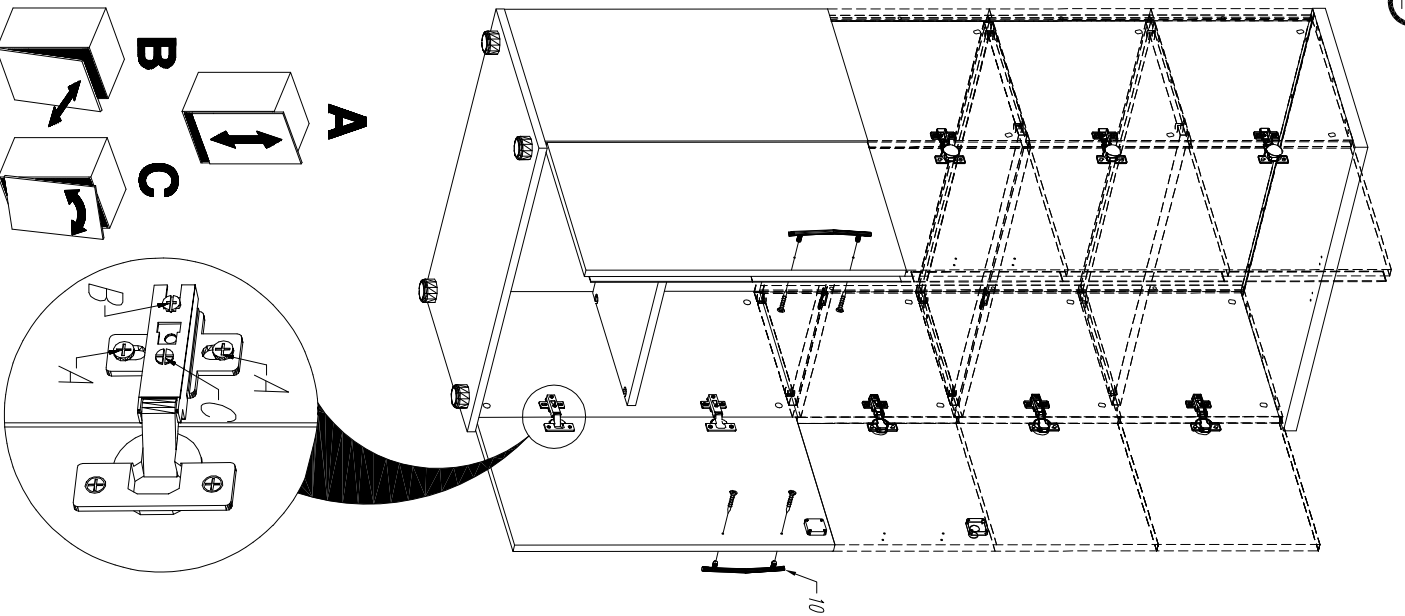
KOLEJNOŚĆ MONTAŻU
MINOSPODOW I KOKKOW.
THE FITTING SEQUENCE OF THE
CAMS AND DOWELS.
DIE MONTAGEFOLGE VON
ENZENTERN UND DÜBELN.

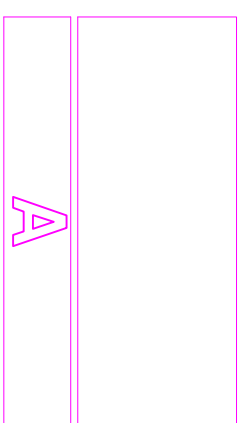
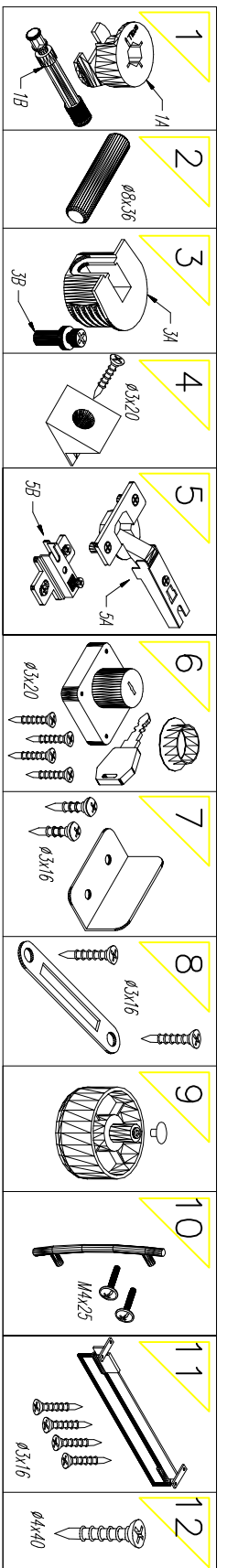


D



E





	A6504	<ul style="list-style-type: none"> 1 x22 2 x18 3 x20
	A6104	<ul style="list-style-type: none"> 1 x22 2 x18 3 x20
	A5104	<ul style="list-style-type: none"> 1 x20 2 x18 3 x16
	A5204	<ul style="list-style-type: none"> 1 x20 2 x18 3 x4 4 x 5 x6 6 x1 7 x2 8 x1 9 x4 10 x2 11 x1 12 x
	A5304	<ul style="list-style-type: none"> 1 x20 2 x18 3 x16 4 x 5 x4 6 x1 7 x1 8 x1 9 x4 10 x2 11 x 12 x
	A5404	<ul style="list-style-type: none"> 1 x20 2 x18 3 x16 4 x 5 x8 6 x2 7 x2 8 x2 9 x4 10 x4 11 x 12 x
	A54A4	<ul style="list-style-type: none"> 1 x20 2 x18 3 x16 4 x 5 x 6 x 7 x 8 x 9 x4 10 x 11 x 12 x
	A5504	<ul style="list-style-type: none"> 1 x20 2 x18 3 x16 4 x 5 x 6 x 7 x 8 x 9 x4 10 x 11 x 12 x
	A4104	<ul style="list-style-type: none"> 1 x16 2 x20 3 x12
	A4204	<ul style="list-style-type: none"> 1 x16 2 x20 3 x 4 x 5 x6 6 x 7 x4 8 x 9 x4 10 x2 11 x1 12 x

	A4304	<ul style="list-style-type: none"> 1 x16 2 x20 3 x12
	A4404	<ul style="list-style-type: none"> 1 x16 2 x20 3 x12
	A4504	<ul style="list-style-type: none"> 1 x16 2 x20 3 x12
	A3104	<ul style="list-style-type: none"> 1 x16 2 x18 3 x8 4 x 5 x4 6 x1 7 x3 8 x 9 x4 10 x2 11 x 12 x
	A3404	<ul style="list-style-type: none"> 1 x16 2 x18 3 x8 4 x 5 x4 6 x1 7 x1 8 x1 9 x4 10 x2 11 x 12 x
	A3504	<ul style="list-style-type: none"> 1 x16 2 x18 3 x8 4 x 5 x 6 x 7 x 8 x 9 x4 10 x 11 x 12 x
	A2104	<ul style="list-style-type: none"> 1 x14 2 x18 3 x4 4 x 5 x4 6 x1 7 x3 8 x 9 x4 10 x2 11 x 12 x
	A2504	<ul style="list-style-type: none"> 1 x14 2 x18 3 x4 4 x 5 x 6 x 7 x 8 x 9 x4 10 x 11 x 12 x
	A1104	<ul style="list-style-type: none"> 1 x14 2 x18 3 x4 4 x 5 x4 6 x1 7 x4 8 x 9 x4 10 x2 11 x 12 x
	A1504	<ul style="list-style-type: none"> 1 x14 2 x18 3 x4 4 x 5 x 6 x 7 x4 8 x 9 x4 10 x2 11 x1 12 x

	A4304	<ul style="list-style-type: none"> 1 x16 2 x20 3 x12
	A4404	<ul style="list-style-type: none"> 1 x16 2 x20 3 x12
	A4504	<ul style="list-style-type: none"> 1 x16 2 x20 3 x12
	A3104	<ul style="list-style-type: none"> 1 x16 2 x18 3 x8 4 x 5 x4 6 x1 7 x3 8 x 9 x4 10 x2 11 x 12 x
	A3404	<ul style="list-style-type: none"> 1 x16 2 x18 3 x8 4 x 5 x4 6 x1 7 x1 8 x1 9 x4 10 x2 11 x 12 x
	A3504	<ul style="list-style-type: none"> 1 x16 2 x18 3 x8 4 x 5 x 6 x 7 x 8 x 9 x4 10 x 11 x 12 x
	A2104	<ul style="list-style-type: none"> 1 x14 2 x18 3 x4 4 x 5 x4 6 x1 7 x3 8 x 9 x4 10 x2 11 x 12 x
	A2504	<ul style="list-style-type: none"> 1 x14 2 x18 3 x4 4 x 5 x 6 x 7 x 8 x 9 x4 10 x 11 x 12 x
	A1104	<ul style="list-style-type: none"> 1 x14 2 x18 3 x4 4 x 5 x4 6 x1 7 x4 8 x 9 x4 10 x2 11 x 12 x
	A1504	<ul style="list-style-type: none"> 1 x14 2 x18 3 x4 4 x 5 x 6 x 7 x4 8 x 9 x4 10 x2 11 x 12 x