

# Assembly Instructions

# BIFOLD FUTON FRAME LOUNGER

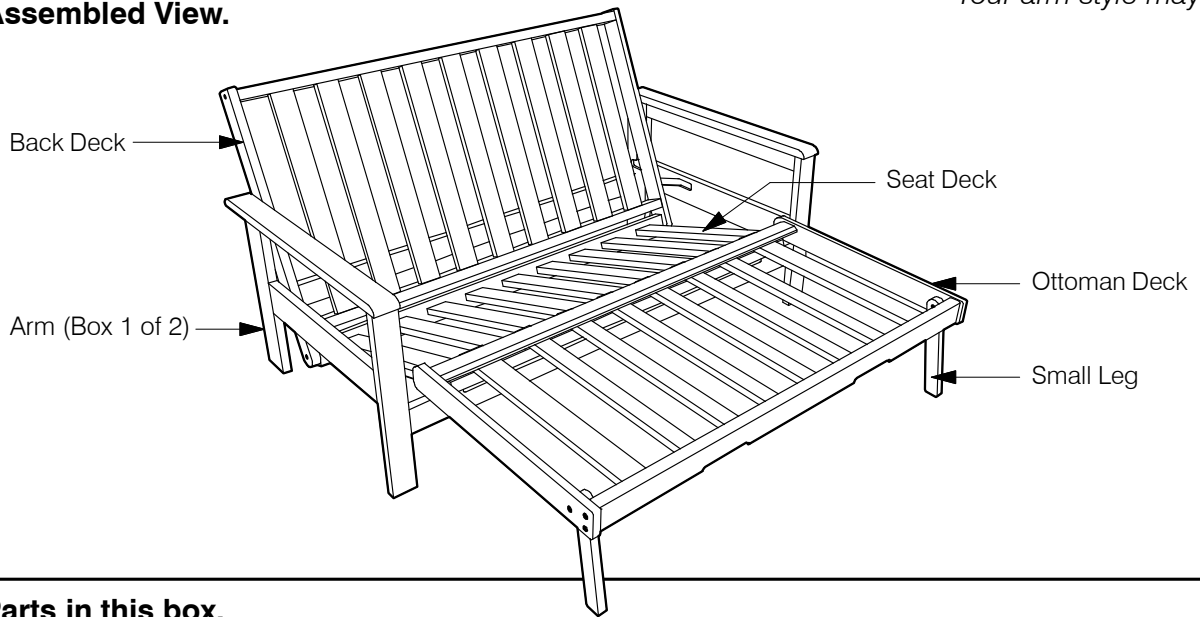
Instructions apply to all sizes:

• Twin • Love seat

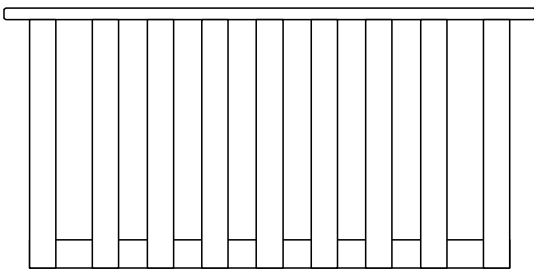
0321

Your arm style may vary

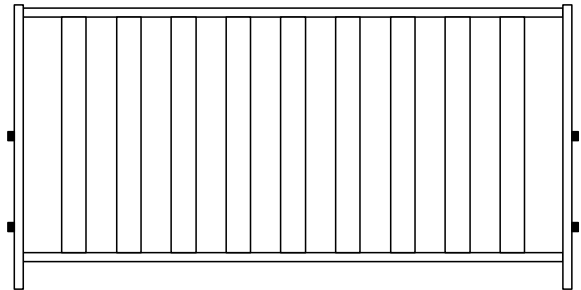
## 1A Assembled View.



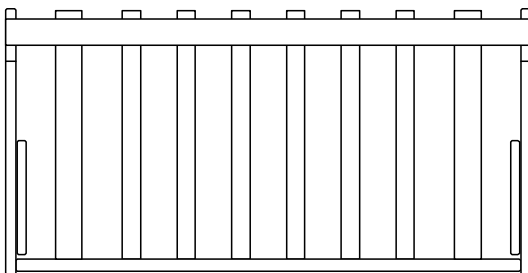
## 1B Parts in this box.



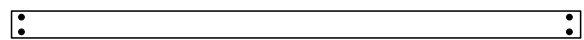
Seat Deck



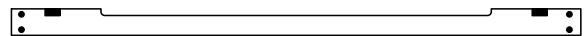
Back Deck



Ottoman Deck (with Legs)

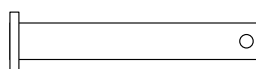


Rear Stretcher

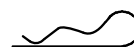


Front Stretcher (with Metal Strike Plates)

## 1C Hardware in this box.



Clevis Pins  
x 2 Pieces



Locking Pins  
x 2 Pieces

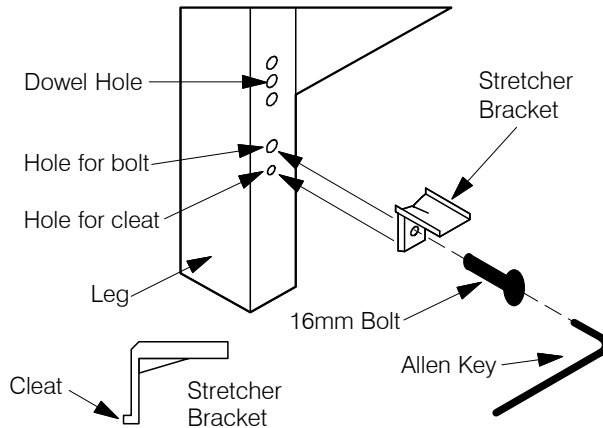
**i** Instructions for the Arm assembly, are packed in the Arm box.

## 2A Prepare Arms for Assembly.

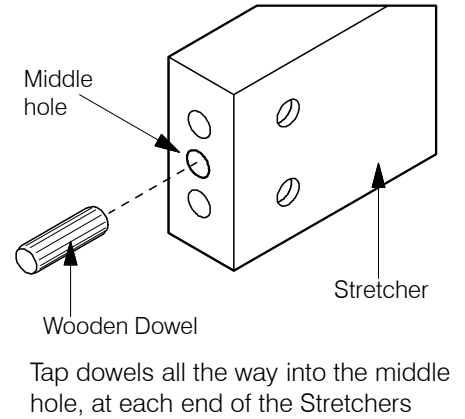
**NOTE:** The hardware for these steps is included with the Arms. Some Arms may not have these features, so just skip these steps.

### Fasten Stretcher Brackets to Arm.

- Insert the Stretcher Bracket Cleat into the hole provided.
- IMPORTANT:** Don't fully tighten Bracket until Stretchers are all in place for easy alignment.
- Each arm requires two brackets, front and back.



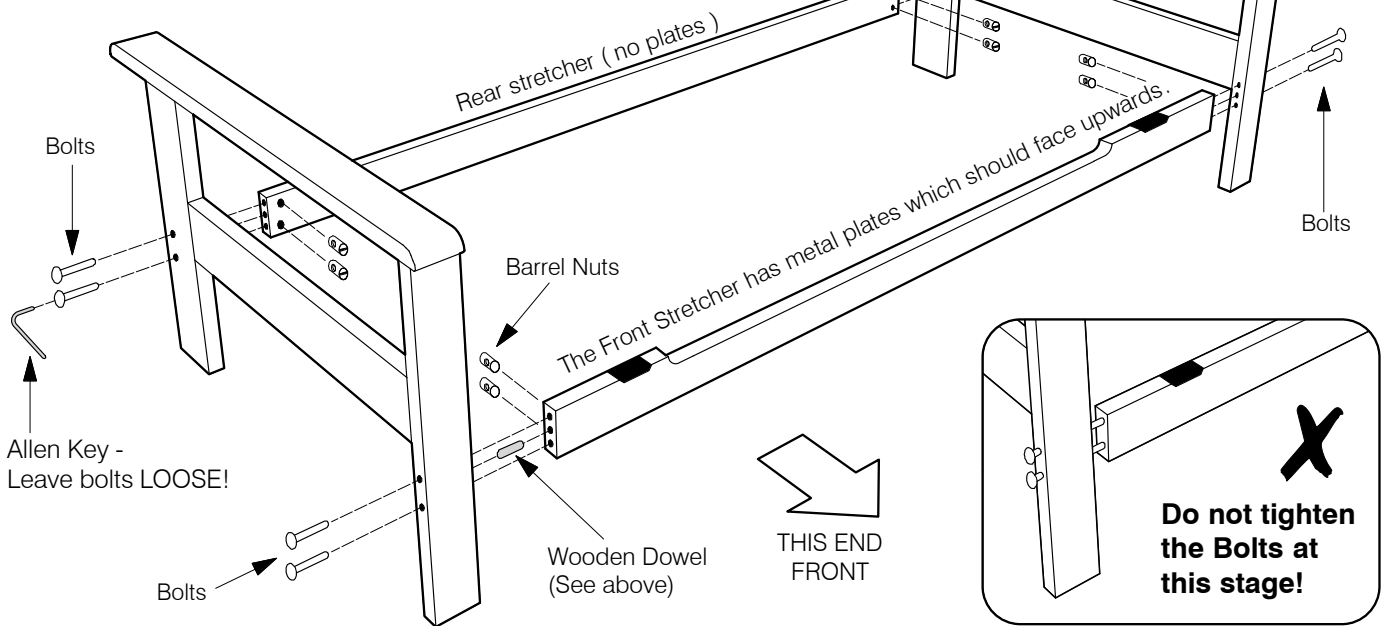
### Fit Wooden Dowels.



## 2B Attach Arms to Stretchers.

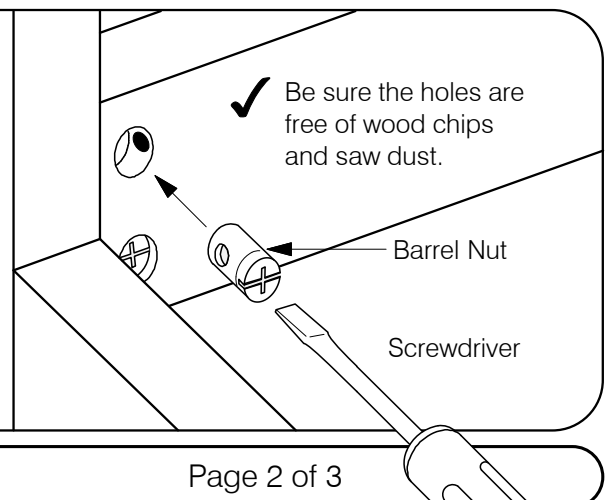
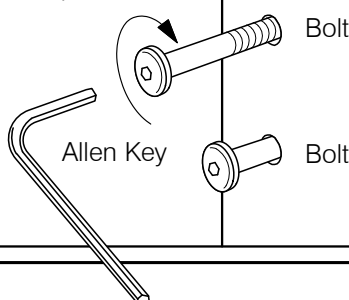
*Your arm style may vary.*

Using Bolts and Barrel Nuts provided with the Arms, attach the Arms LOOSELY to the Stretchers as shown.. It is important that these bolts are left loose!



### BOLT AND BARREL NUT ASSEMBLY SYSTEM

- ✓ Insert Barrel Nuts as shown using a screwdriver. This will help you position the Nut in line with the Bolt.
- ✓ Do not force the Bolt as you may strip the thread. Be sure the thread is properly started.

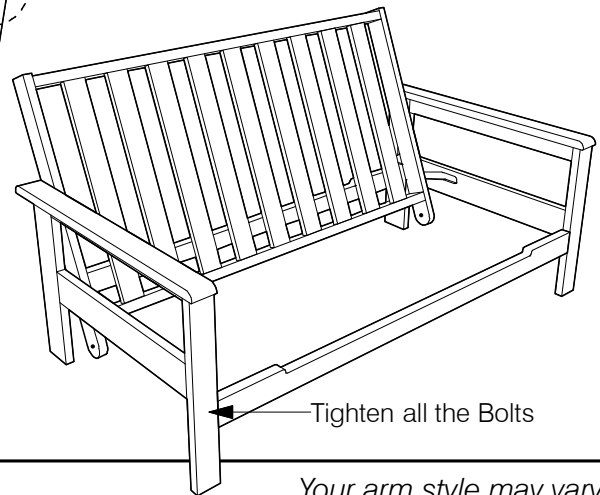
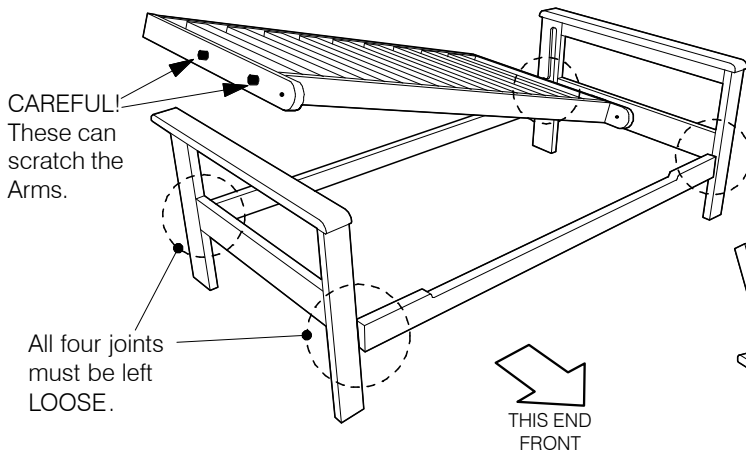


## 3A Fit Back Deck into Position.

- A. Insert the Back Deck lying flat. Insert one end first, then gently lower the other end into position.

*Your arm style may vary*

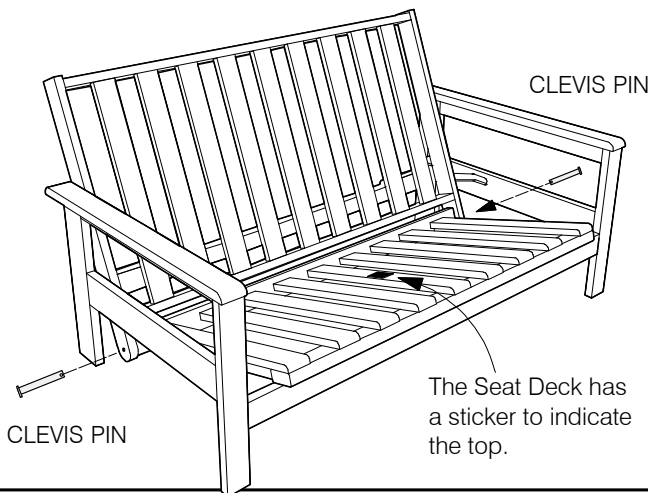
- ✓ This step can be tricky - it is best done with two people
- ✓ Remember that the Bolts on the Arm should be LOOSE.
- ✗ Be careful not to scratch the Arms with the Plastic Runners when you lower the ends of the Back Deck.



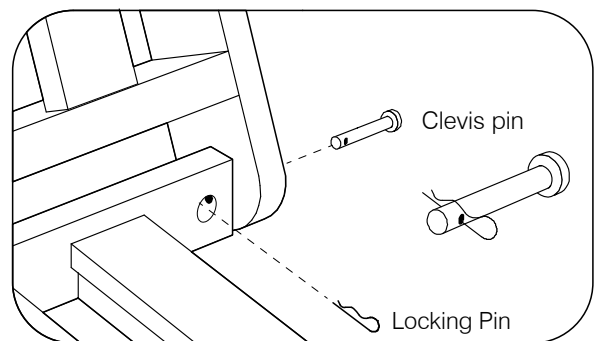
- B. When you have the Back Deck fitted lying flat, tighten all the Bolts. From the back, lift the Back Deck to upright as illustrated.

## 3B Fit Seat Deck into Position.

*Your arm style may vary*



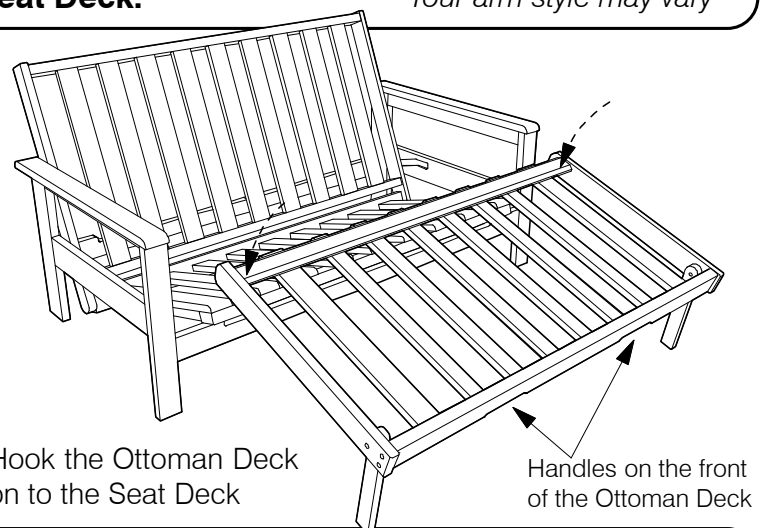
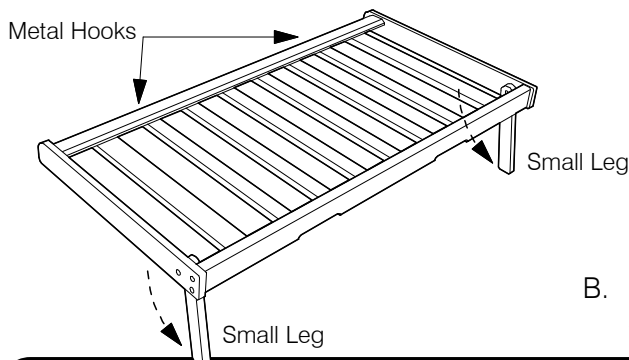
Fit the Seat deck between the Back Deck as shown. Use the Clevis Pins to connect the two decks. Secure with a Washer and Locking Pin.



## 3C Hook the Ottoman Deck onto the Seat Deck.

*Your arm style may vary*

- A. Extend the small legs on the Ottoman Deck.



- B. Hook the Ottoman Deck on to the Seat Deck