

D-CHAIR

Technical information



Other documents available for this product

User manual for D-CHAIR task, visitor and executive chairs

10 year Warranty

See Warranty statement



Technical information

Types

- Task / visitor chair (1)
- Executive chair (2)

1



2



Seat

- Fixed seat;
- Seat frame made of black, grey or red PA (nylon) reinforced with fiberglass;
- Seat upholstered with self-supporting mesh;
- Seat is directly connected to backrest and creates single monoblock;
- Maximum load – 242,51 lbs.

Backrest

- Available in medium and high versions (headrest);
- Frame made of black, grey or red PA (nylon) reinforced with fiberglass;
- Backrest is directly connected to seat and creates single monoblock;
- Backrest upholstered with self-supporting mesh;
- Assembled with metal fittings.

Armrests (optional)

- Fixed armrests made of black, grey or red PA (nylon) reinforced with fiberglass;
- Fixed armrests available with or without PU (polyurethane) pads for a soft touch;
- 2D (two directions) adjustable armrests made of black, grey or red PA (nylon) reinforced with fiberglass;
- 2D armrests: height adjustable (4,13" run range) and pad moves forward and backwards (1,97" run range);
- 3D (three directions) adjustable armrests made of black, grey or red PA (nylon) reinforced with fiberglass;
- 3D armrests: height adjustable (4,13" run range), pad moves forward and backwards (1,97" run range) and rotates (15° one direction);
- 4D (four directions) adjustable armrests made of black, grey or red PA (nylon) reinforced with fiberglass;
- 4D armrests: height adjustable (4,13" run range), pad moves forward and backwards (1,97" run range), sideways (0,98" run range) and rotates (15° one direction);
- 2D, 3D and 4D armrests' upper part coated with PU (polyurethane) pads for a soft touch.

Mechanism

- Synchronized mechanism with tension adjustment;
- Lockable in working position by integrated lever;
- Height adjustment controlled by integrated lever;
- Mechanism outer body and backrest connection made out of black, grey and red PA (nylon) reinforced with fiber-glass;
- Mechanism housing and inner parts made out of powder-coated steel and aluminum.

Gas lift

- Chrome or black;
- 5,12" run range.

Base

- Five-star, made out of black, grey or red PA (nylon) reinforced with fiberglass;
- External Ø27,56".

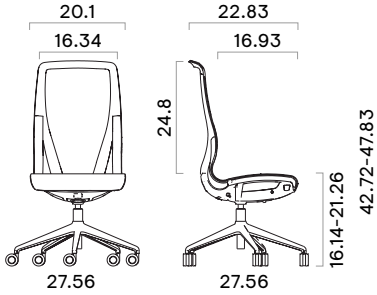
Castors

- Rubber-free wheel hollow castors for hard floor, Ø2,56";
- PA (polyamide) free wheel hollow castors for soft floor, Ø2,56";
- Rubber self-braking hollow castors for hard floor, Ø2,56";
- PA (polyamide) self-braking hollow castors for soft floor, Ø2,56".

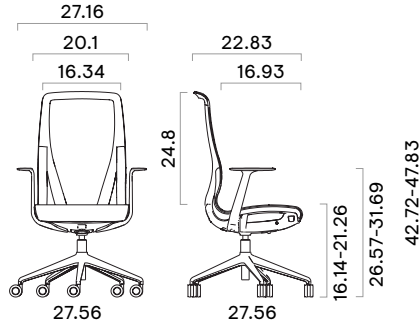
Range

Task / visitor chair

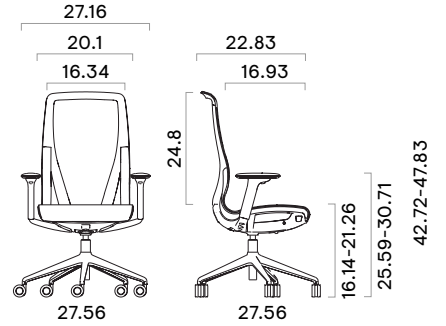
No armrests



Fixed armrests

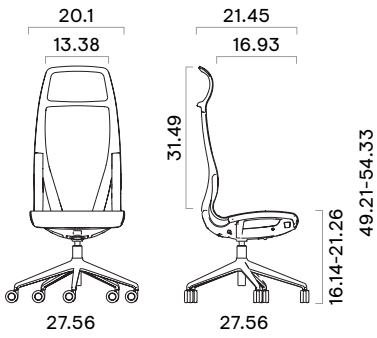


Adjustable armrests

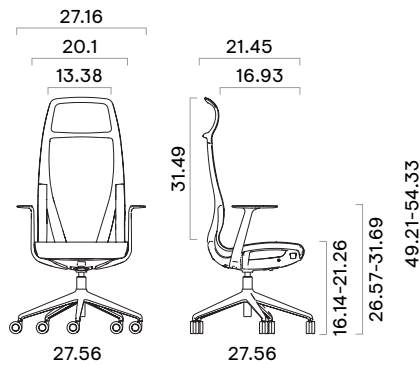


Executive chair

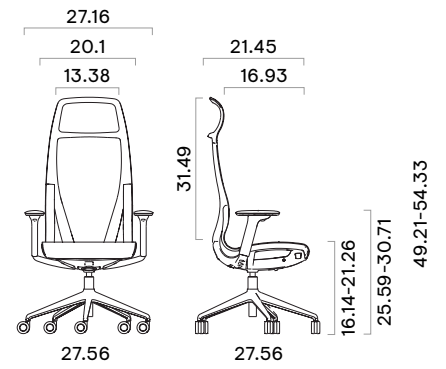
No armrests



Fixed armrests



Adjustable armrests



Additional information

- Comes fully assembled in the box, ready to use.



- The chairs were tested according to EN 1335-2:2018 standard, which concludes that the safe weight limit is 242,51 lb. Exceeding this limit or careless activity with the product may result in damages or injuries.

Options of armrests

Functions	Fixed		2D	3D	4D
	Without PU pads	With PU pads	With PU pads	With PU pads	With PU pads
Height adjustment 4,13" run range	✗	✗	✓	✓	✓
Moves forward and backwards 1,97" run range	✗	✗	✓	✓	✓
Rotates 15° one direction	✗	✗	✗	✓	✓
Moves sideways 0,98" run range	✗	✗	✗	✗	✓