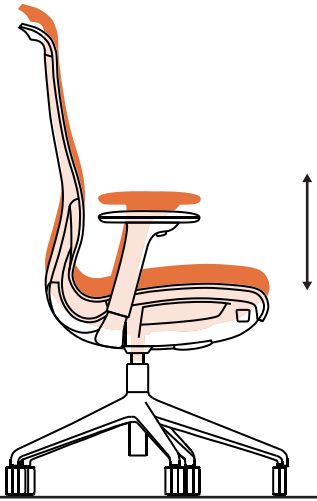


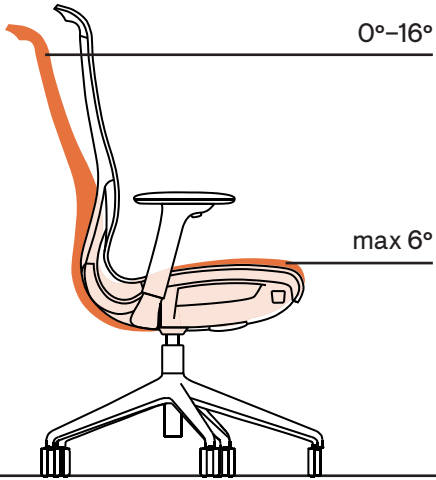
D-CHAIR

User manual

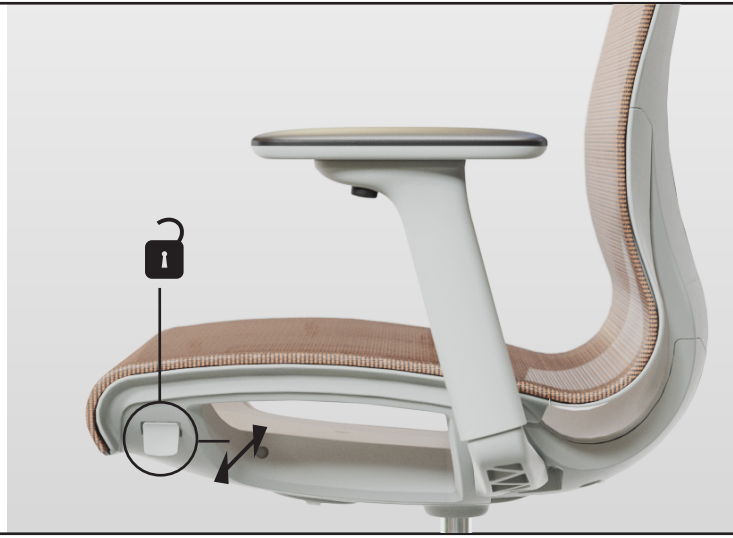




Seat height adjustment

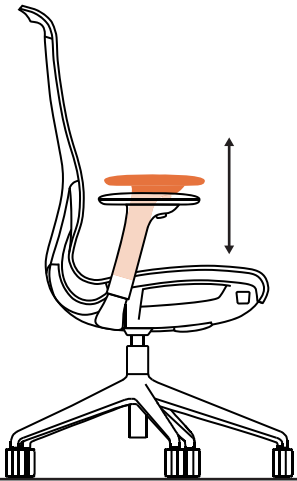


Backrest travel with backrest lock in upright position



Tilt tension adjustment



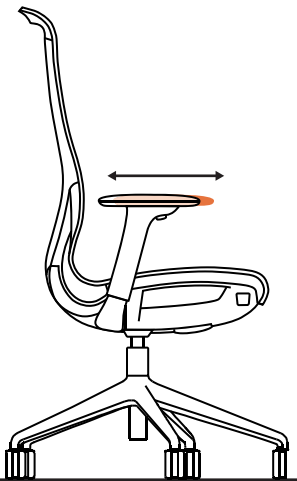


2D, 3D, 4D adjustable armrests

4,13" run range

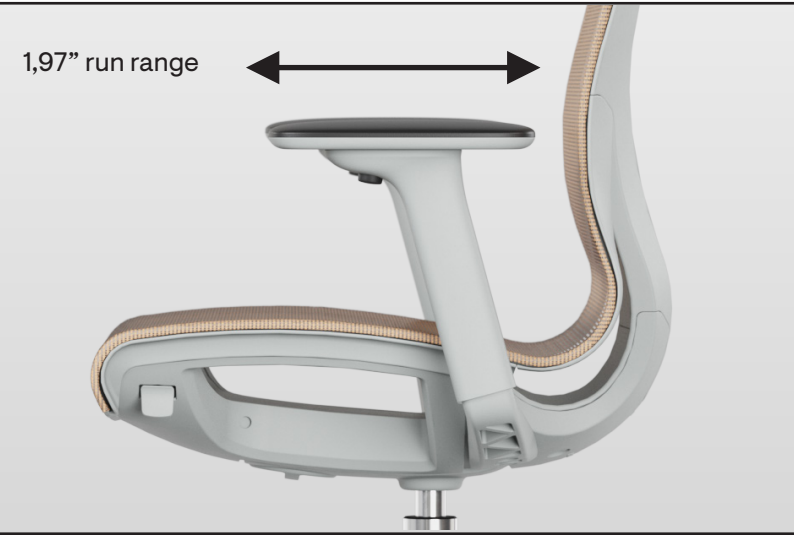


Height adjustment at armrest carrier

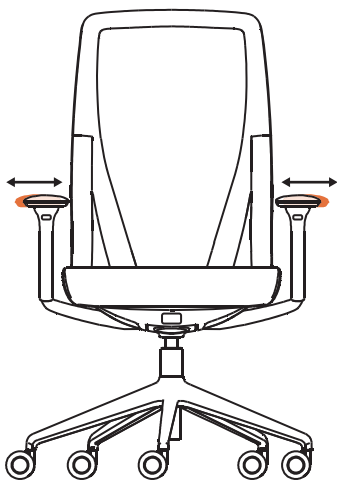


2D, 3D, 4D adjustable armrests

1,97" run range

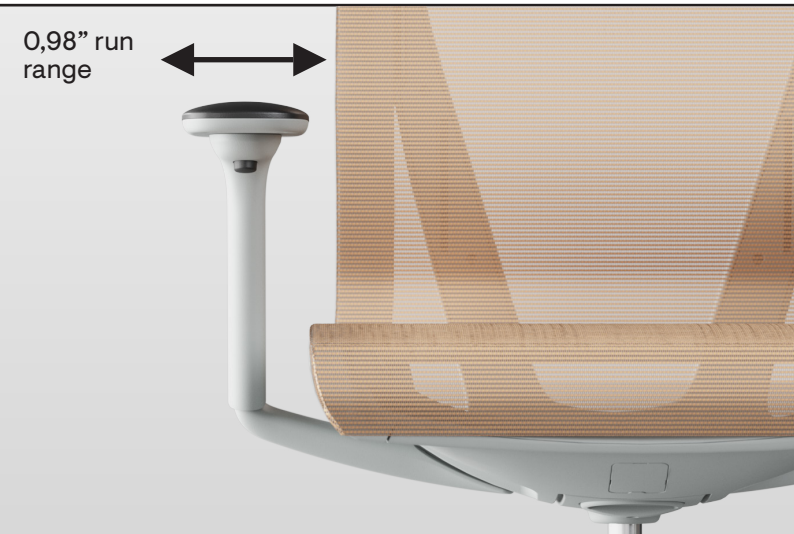
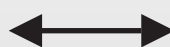


Pad adjustment forward and backwards



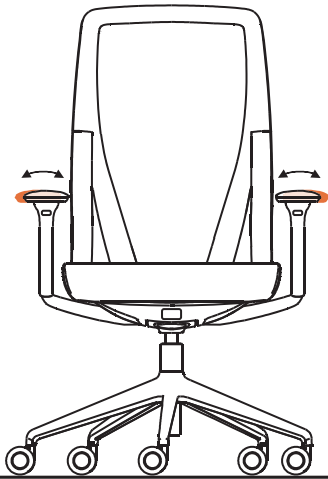
3D, 4D adjustable armrests

0,98" run range

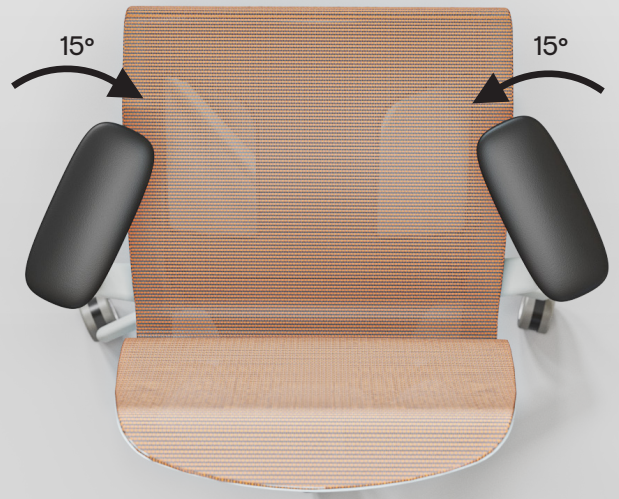


Pad adjustment sideways

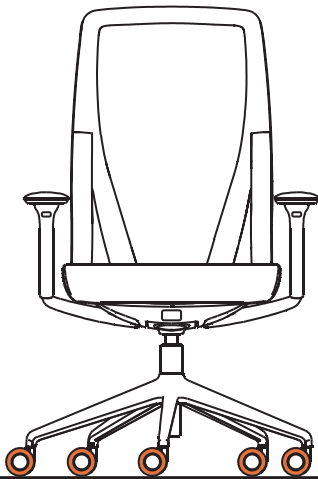
2D (two directions) adjustable armrests
3D (three directions) adjustable armrests
4D (four directions) adjustable armrests



4D armrests



Pad rotation adjustment 15° one direction



Self-brake castors



for soft floor

for hard floor

Note. Self-braking chair castors initiate the integrated friction break and stop moving when the chair is unused (no weight is applied to the seat).

4D (four directions) adjustable armrests

Other documents available for this product

Technical information for D-CHAIR chair family