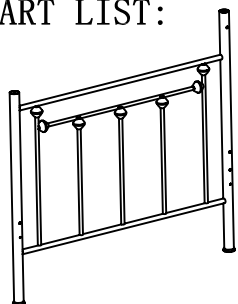


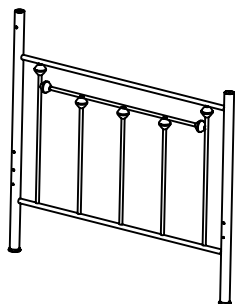
ASSEMBLY INSTRUCTION

4965W-NT DAYBED W/TRUNDLE

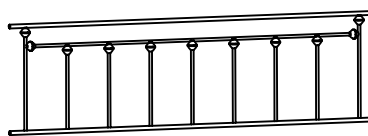
PART LIST:



A:LSF Arm
1PC



B:RSF Arm
1PC



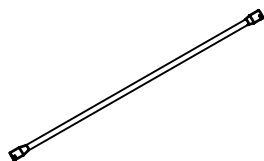
C:Back Frame
1PC



D:Daybed Rail
2PCS



E:Trundle Long Rail
2PCS



F:Slat
42PCS
(Daybed:22pcs, Trundle:20pcs)



G:Trundle Short Rail
2PCS



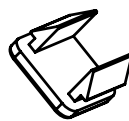
H:Finial
4PCS



I:Lock Wheel
2PCS



J:Wheel
2PCS



K:Slat Connector
84PCS

HARDWARE LIST:

Q*8PCS



1/4*16MM

T*8PCS



1/4*55MM

U*1PC

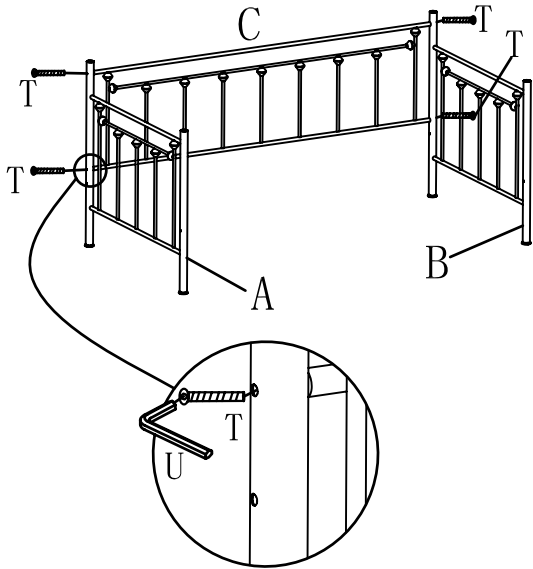


V*1PC

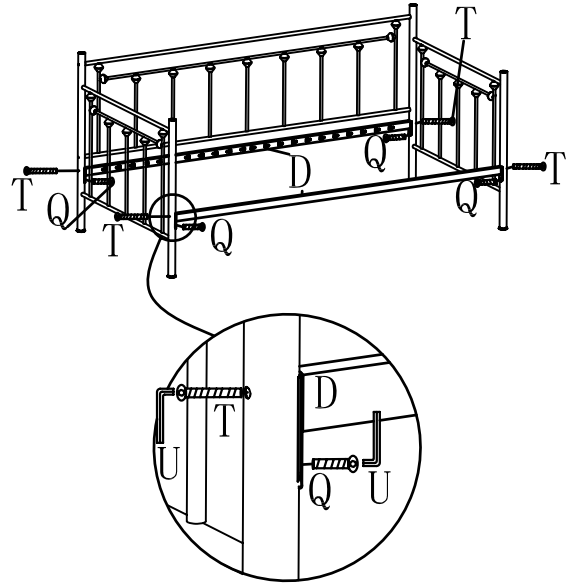


Note: Please do not tighten all bolts until the bed is assembled completely.

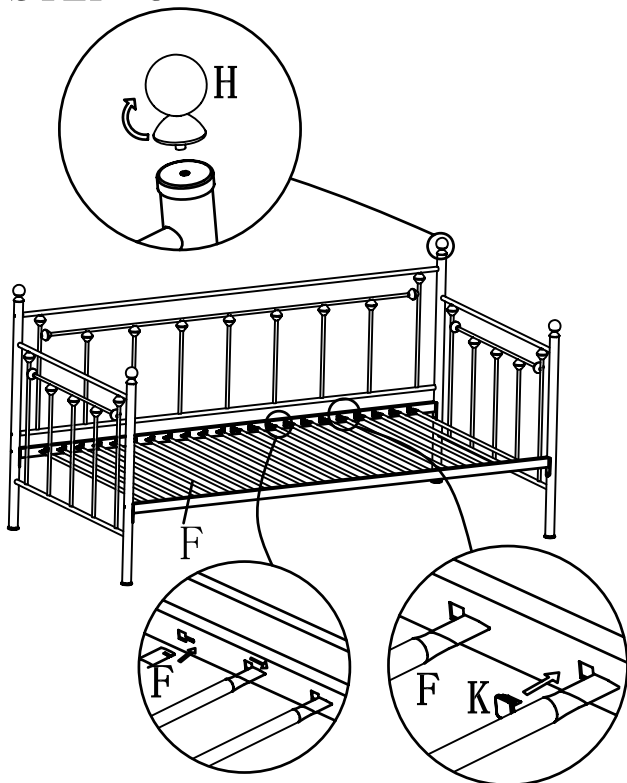
STEP 1



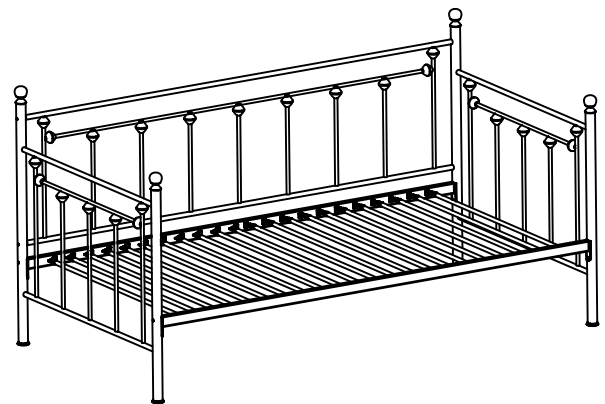
STEP 2



STEP 3

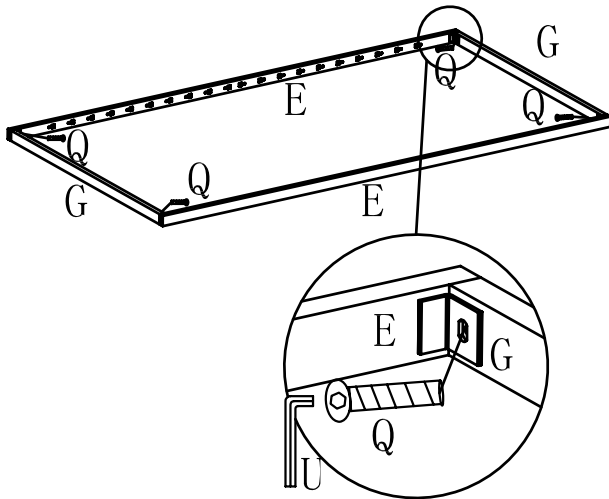


DAYBED COMPLETED

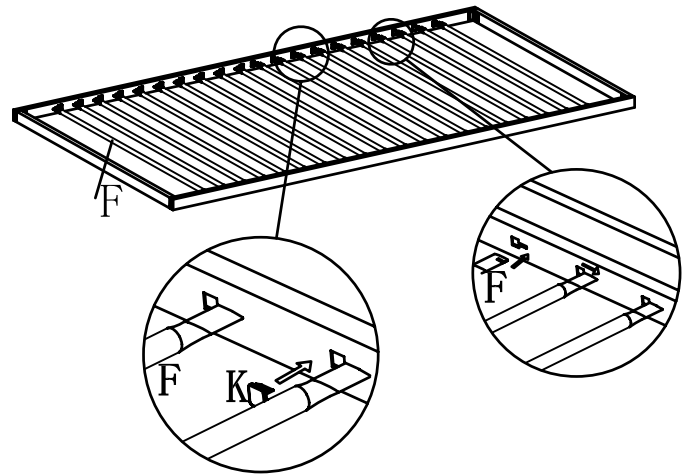


Note: Please do not tighten all bolts until the bed is assembled completely.

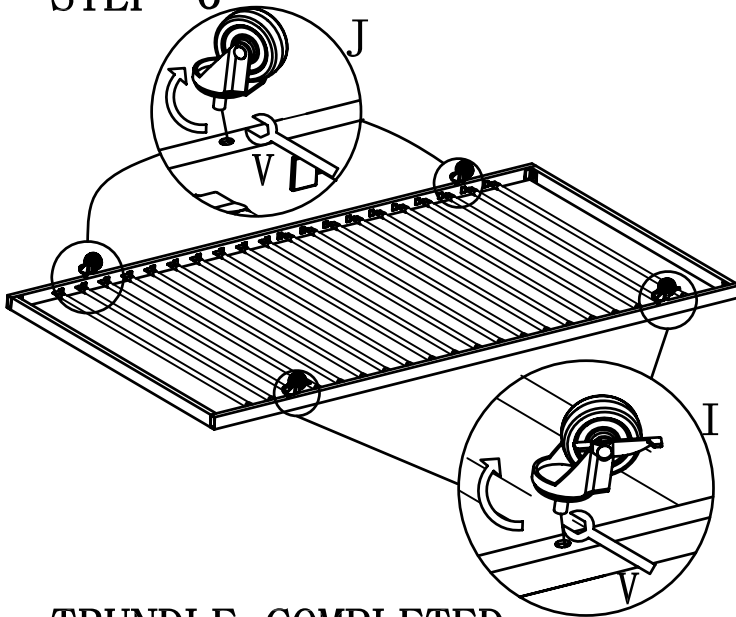
STEP 4



STEP 5



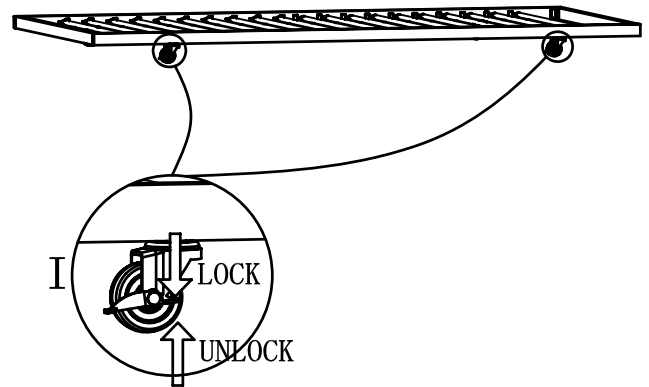
STEP 6



TRUNDLE COMPLETED



STEP 7



COMPLETED

