



Assembly Instruction

ITEM NO.:8277CH-L/-R/-4

LSF LOVESEAT W/ PULL OUT BED & ADJUSTABLE HEADRESTS

RSF CHAISE W/ ADJ. HEADREST


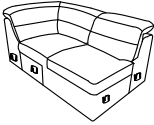
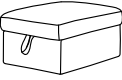
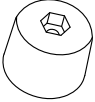
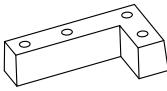
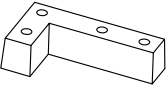

STORAGE OTTOMAN



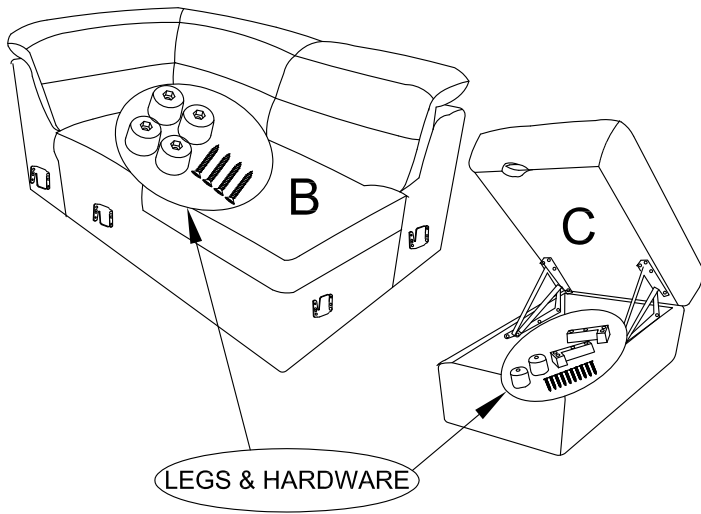
Legs & hardware are stored in the RSF chaise, please take out the legs and hardware for assembly.

Note:Do not use power tools for assembly. Power tools increase the risk of over tightening which lead to splitting or cracking the wood.

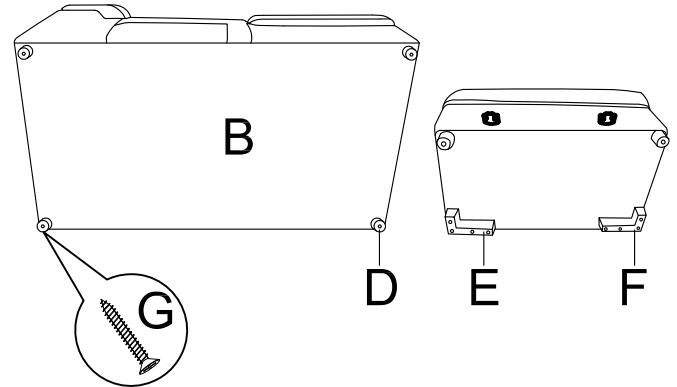
Component list .

No	Drawing	Qty	DESCRIPTION
A		1	LSF LOVESEAT (LEGS ARE PRE-ASSEMBLED)
B		1	RSF CHAISE
C		1	OTTOMAN
D		6	RSF CHAISE & OTTOMAN-LEG
E		1	OTTOMAN-LEG E
F		1	OTTOMAN-LEG F
G		14	SCREW M5*70mm

Step #1 Take out legs & hardware for assembly.

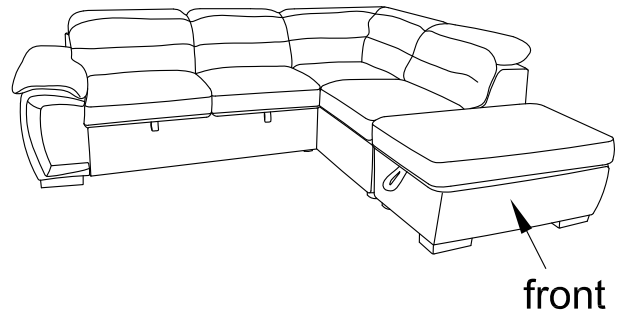
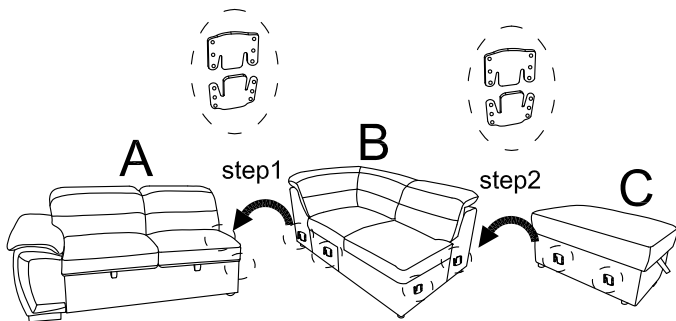


Step #2 Align the legs on the pre-drilled holes, insert screws and tighten with screwdriver(not provided).



Step #3 Align 2 seater and chaise as shown in drawing, lift up one side of connector to lock in.

Step #4 Sofa assembly is completed.



Care Instruction for 100% Polyester Furniture:

In order to maintain the original appearance of your 100% Polyester furniture , please follow below simple care procedures:

- Avoid exposing furniture directly to sunlight or heating and air conditioning outlets. Sunlight and or exposure to heating and air conditioning outlets will fade/damage 100% Polyester .
- Vacuum or wipe with a soft cloth to remove dust.
- Clean 100% Polyester with professional cleanser.



For items use on wooden floor, hard surfaces or carpets, it is recommended to Install protective pads under all legs and supports to avoid/prevent from damages/scratches and discoloration.