



Assembly Instruction

ITEM NO.: 8277NGY-L/R/4

LSF LOVESEAT W/ PULL OUT BED & ADJUSTABLE HEADRESTS

RSF CHAISE W/ ADJ. HEADREST


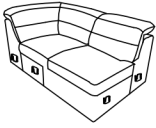


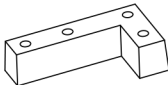
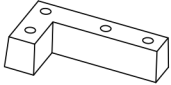

STORAGE OTTOMAN



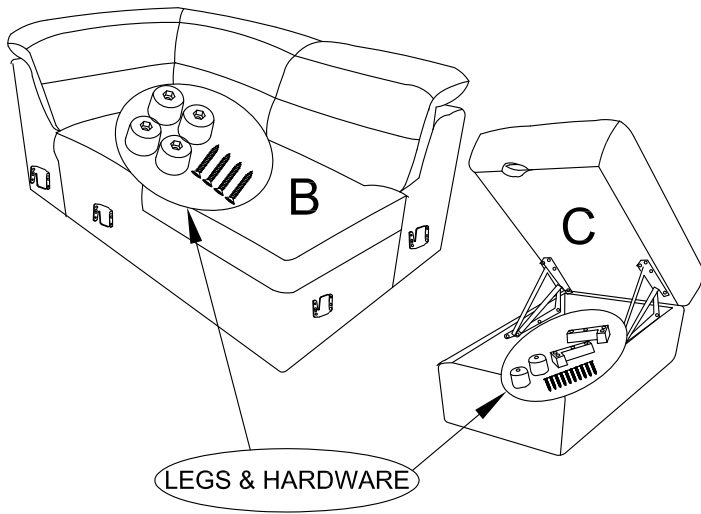
Legs & hardware are stored in the RSF chaise, please take out the legs and hardware for assembly.

Note: Do not use power tools for assembly. Power tools increase the risk of over tightening which lead to splitting or cracking the wood.

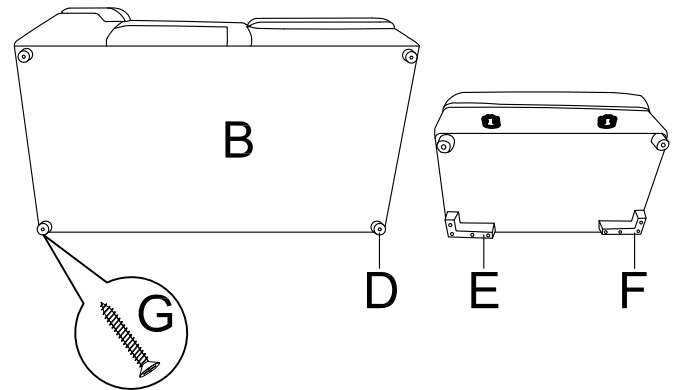
Component list .

| No | Drawing | Qty | DESCRIPTION |
|----|---|-----|---------------------------------------|
| A |  | 1 | LSF LOVESEAT (LEGS ARE PRE-ASSEMBLED) |
| B |  | 1 | RSF CHAISE |
| C |  | 1 | OTTOMAN |
| D |  | 6 | RSF CHAISE & OTTOMAN-LEG |
| E |  | 1 | OTTOMAN-LEG E |
| F |  | 1 | OTTOMAN-LEG F |
| G |  | 14 | SCREW M5*50mm |

Step #1 Take out legs & hardware for assembly.

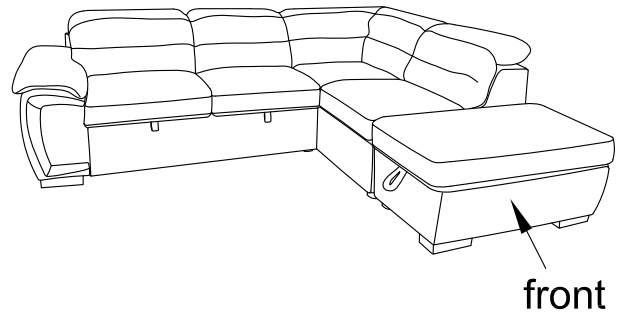
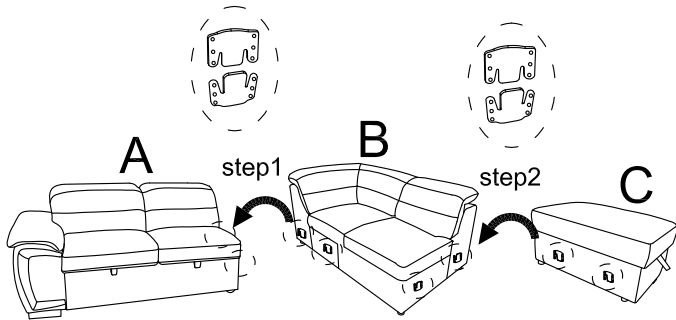


Step #2 Align the legs on the pre-drilled holes, insert screws and tighten with screwdriver(not provided).



Step #3 Align 2 seater and chaise as shown in drawing, lift up one side of connector to lock in.

Step #4 Sofa assembly is completed.



Care Instruction for 100% Polyester Furniture:

In order to maintain the original appearance of your 100% Polyester furniture , please follow below simple care procedures:

- Avoid exposing furniture directly to sunlight or heating and air conditioning outlets. Sunlight and or exposure to heating and air conditioning outlets will fade/damage 100% Polyester .
- Vacuum or wipe with a soft cloth to remove dust.
- Clean 100% Polyester with professional cleanser.



For items use on wooden floor, hard surfaces or carpets, it is recommended to Install protective pads under all legs and supports to avoid/prevent from damages/scratches and discoloration.