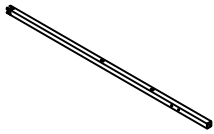




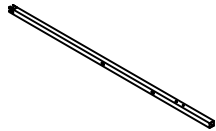
ASSEMBLY INSTRUCTION

HOMEELEGANCE 1759-1 QUEEN SIZE CANOPY BED

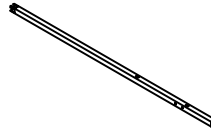
PART LIST:



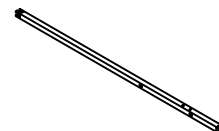
A:LSF Headboard Post
x 1pc



B: RSF Headboard Post
x 1pc



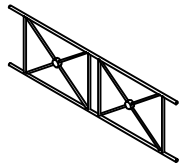
C:LSF Footboard Post
x 1pc



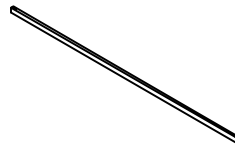
D:RSF Footboard Post
x 1pc



E:Short Upper Support Bar
x 2pcs



F:Headboard & Footboard Frame
x 2pcs



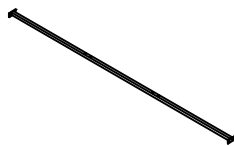
G:Long Upper Support Bar
x 2pcs



H:Rail
x 2pcs



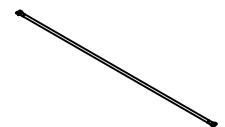
I:Front/Rear Support Bar
x 2pcs



J:Center support Bar
x 1pc



K:Support Legs
x 2pcs



L:Slat with Connectors
x 16pcs

HARDWARE LIST:



1: Bolt 1/4*46mm
x4pcs



2: Bolt 1/4*16mm
x24pcs

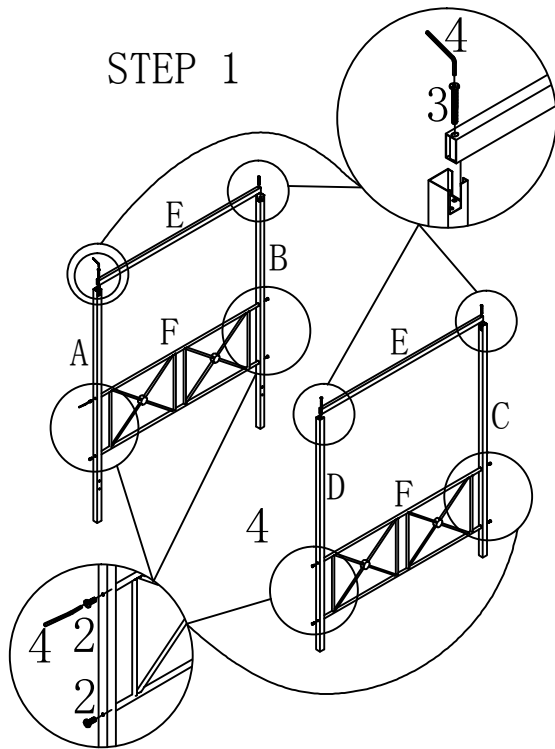


3: Bolt 1/4*60mm
x12pcs

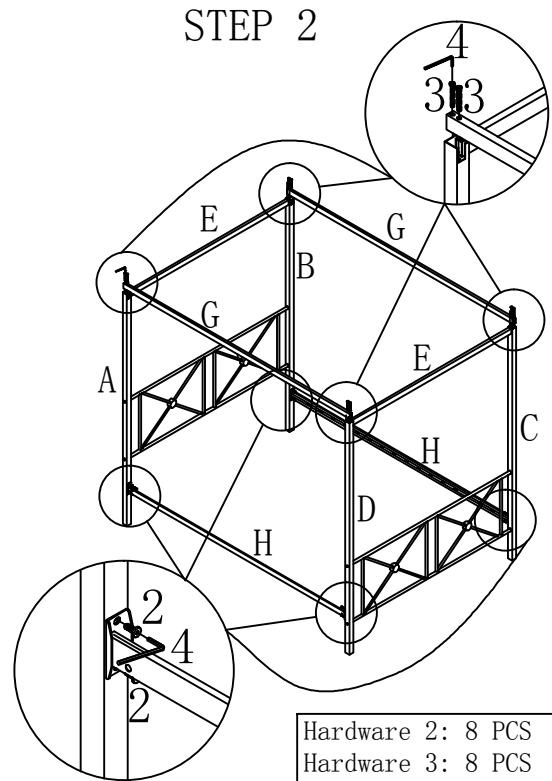


4: Allen Key 4MM
x1pc

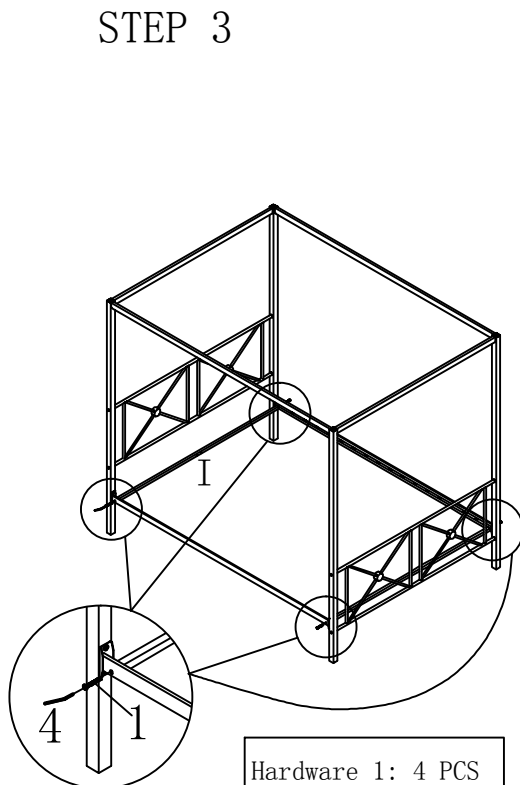
Note: Please do not tighten all bolts until the bed is assembled completely.



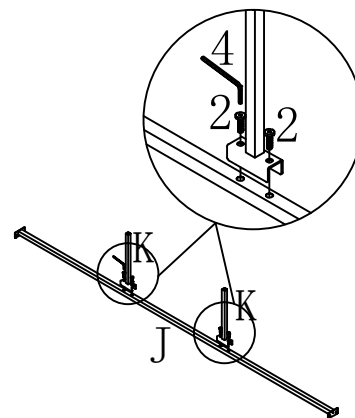
Hardware 2: 8 PCS
Hardware 3: 4 PCS



Hardware 2: 8 PCS
Hardware 3: 8 PCS

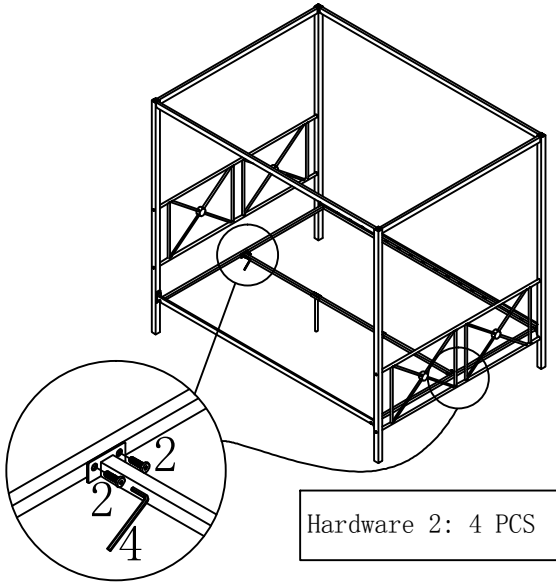


Hardware 1: 4 PCS



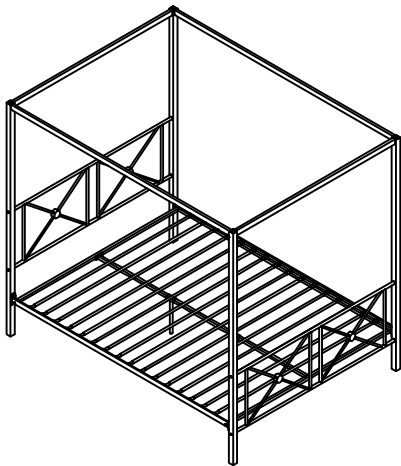
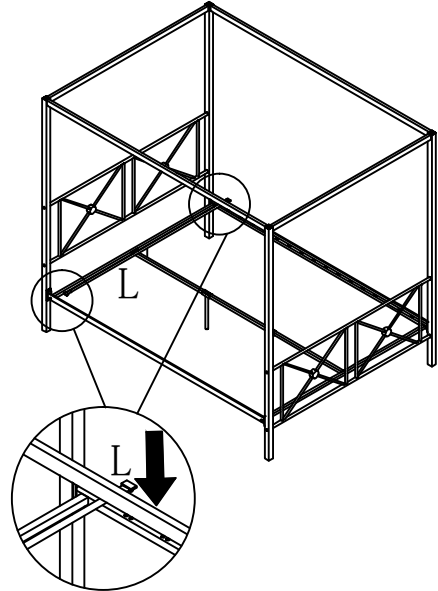
Hardware 2: 4 PCS

STEP 5



COMPLETED

STEP 6



For items use on wooden floor, hard surfaces or carpets, it is recommended to install protective pads under all legs and supports to avoid/prevent from damages/scratches and discoloration.