



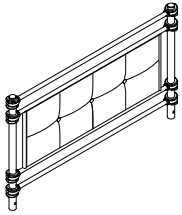
ASSEMBLY INSTRUCTION

HOME ELEGANCE

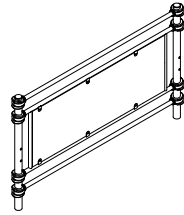
2050T-1

TWIN BED, BLACK FRAME

PART LIST:



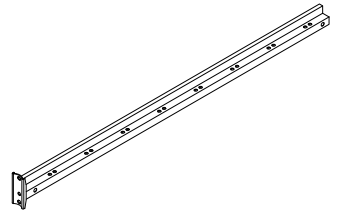
A:Headboard
x 1pc



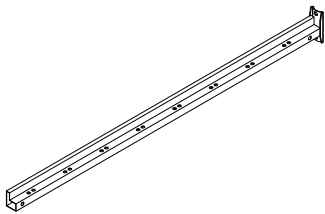
B:Footboard
x 1pc



C:Headboard support leg
x 2pcs



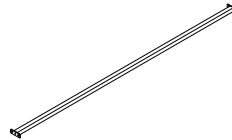
F:Rail Section (1)
x 2pcs



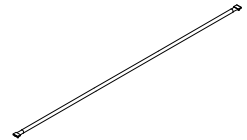
G:Rail Section (2)
x 2pcs



H:Rail Support Leg
x 2pcs



J:Center support Bar
x 1pc



N: Slat with Connectors
x 16pcs

HARDWARE LIST:



1: Bolt 1/4*46mm
x4pcs



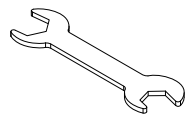
2: Bolt 1/4*16mm
x12pcs



3: Nut
x4pcs



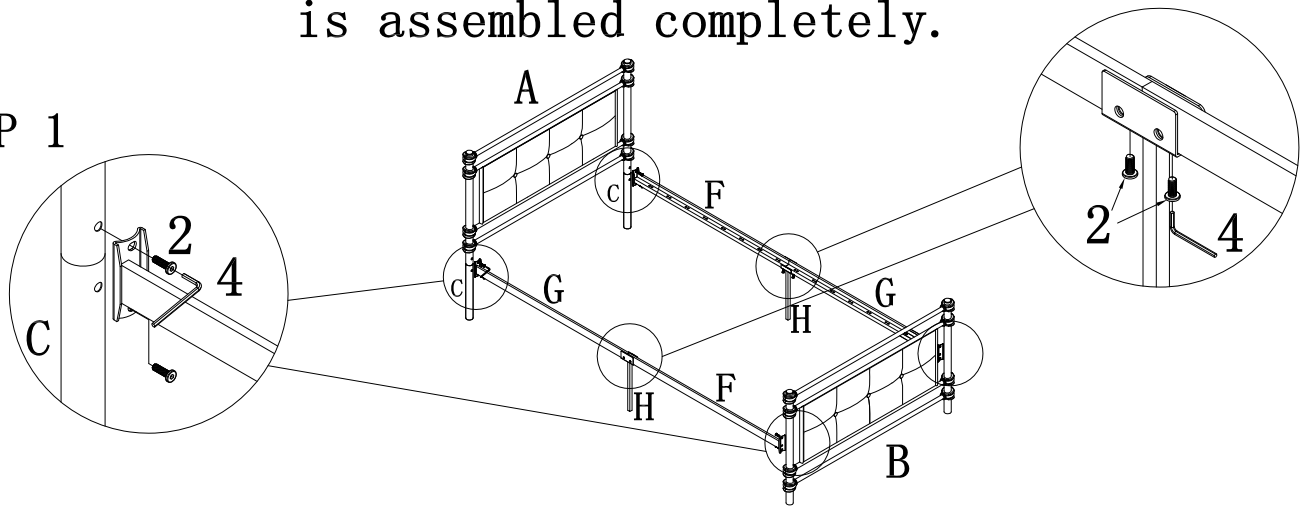
4: Allen Key
x1pc



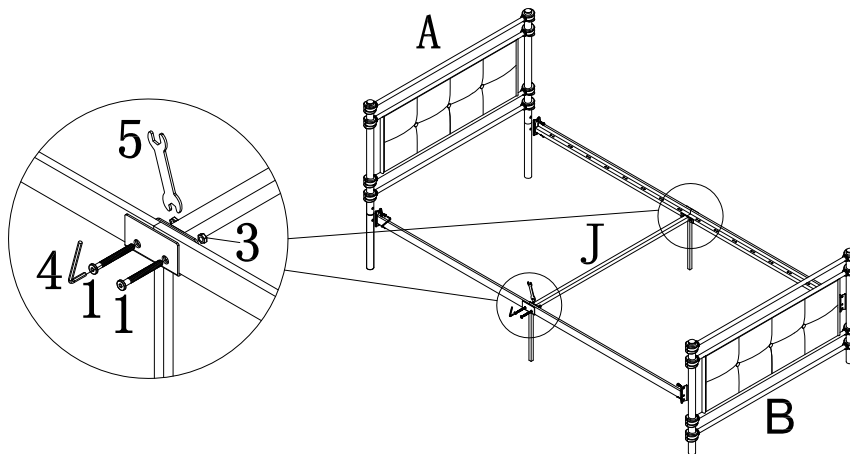
5: Wrench
x1pc

Note: Please do not tighten all bolts until the bed is assembled completely.

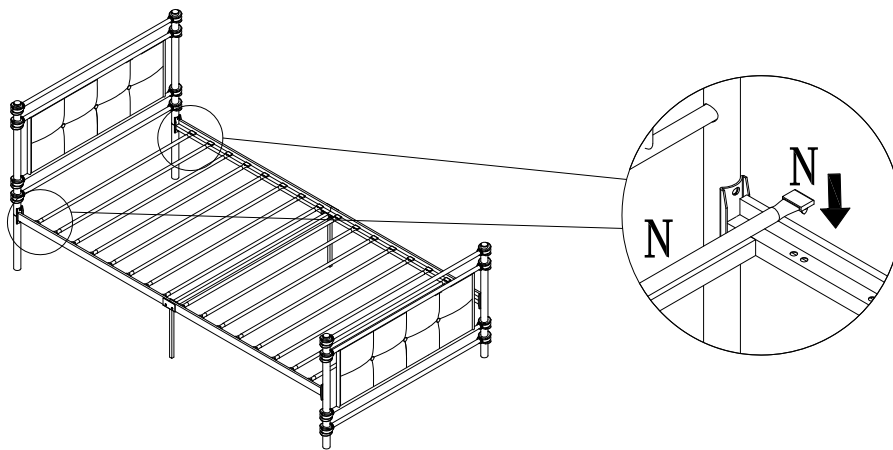
STEP 1



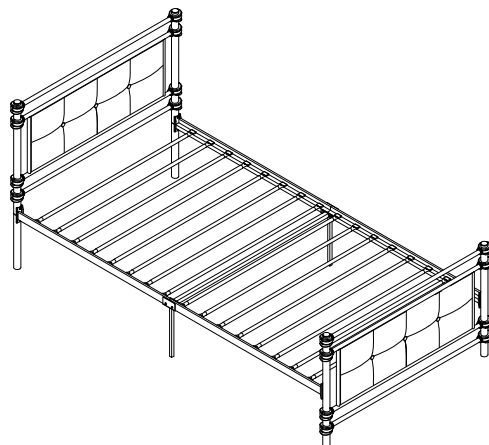
STEP 2



STEP 3



COMPLETED



For items use on wooden floor, hard surfaces or carpets, it is recommended to install protective pads under all legs and supports to avoid/prevent from damages/scratches and discoloration.